

### **GB** Operating & Safety Instructions

**NL** Bedienings- en veiligheidsvoorschriften

**FR** Instructions d'utilisation et consignes de sécurité

**DE** Gebrauchs- und Sicherheitsanweisung

**IT** Istruzioni per l'uso e la sicurezza

**ES** Instrucciones de uso y de seguridad

**PT** Instruções de Operação e Segurança

**PL** Instrukcja obsługi i bezpieczeństwa

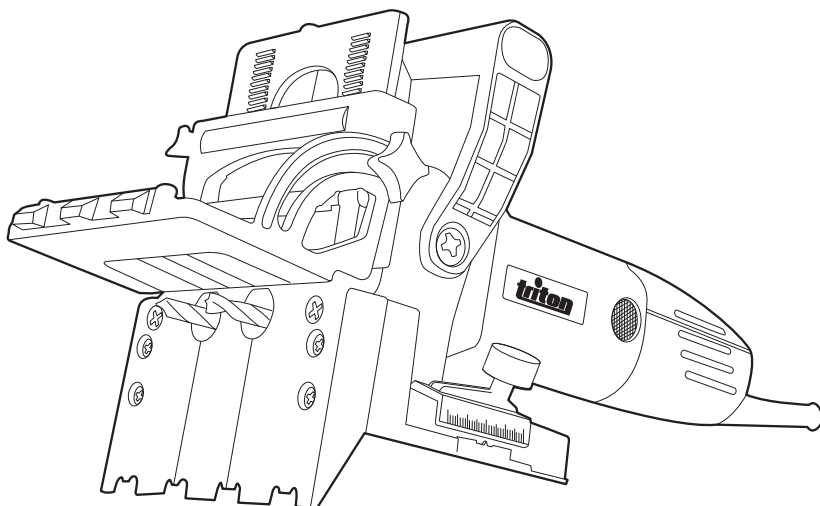
**RU** Инструкции по эксплуатации и правила техники безопасности

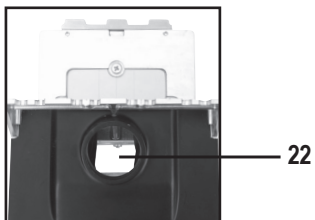
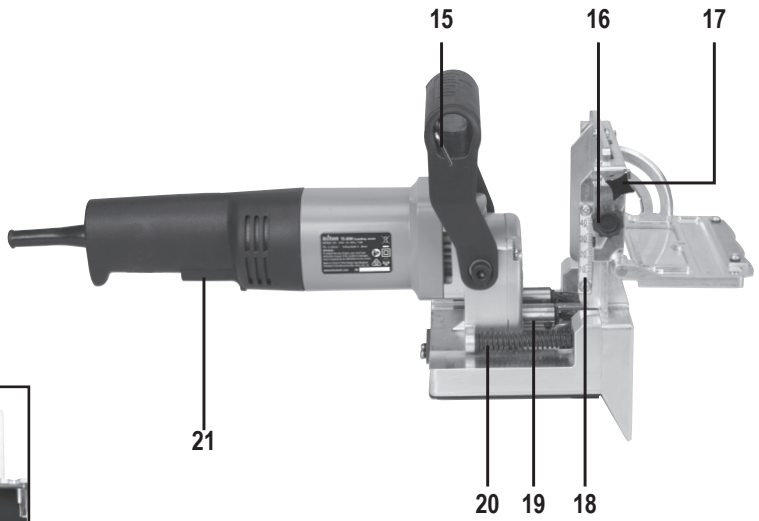
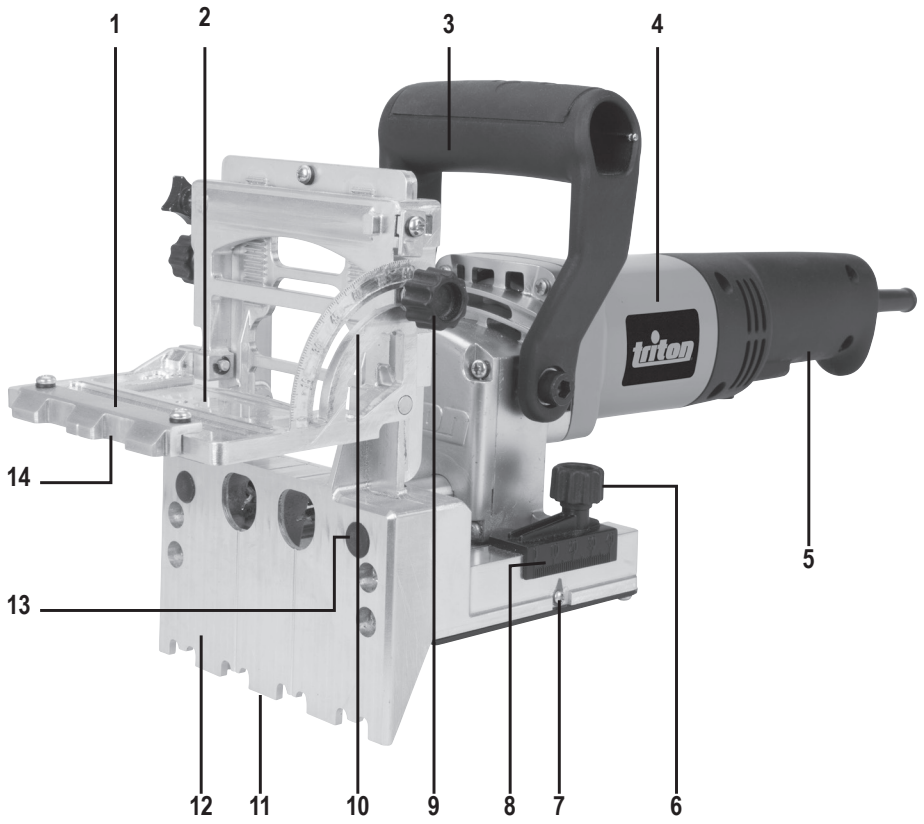
**HU** Kezelési és biztonsági utasítások

**CZ** Provozní a bezpečnostní pokyny

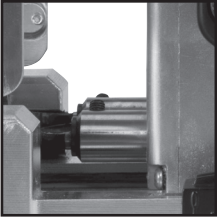
**SK** Prevádzkové a bezpečnostné pokyny

**TR** Çalima ve Güvenlik Talimatları





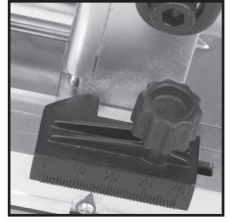
**A**



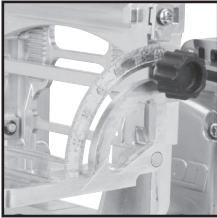
**B**



**C**



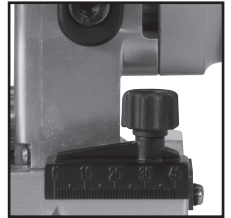
**D**



**E**



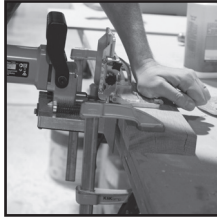
**F**



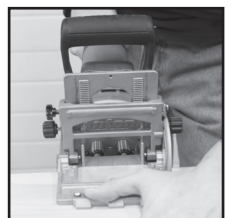
**G**



**H**



**I**



**J**



**K**



# Original Instructions

## Introduction

Thank you for purchasing this Triton tool. This manual contains information necessary for safe and effective operation of this product. This product has unique features and, even if you are familiar with similar products, it is necessary to read this manual carefully to ensure you fully understand the instructions. Ensure all users of the tool read and fully understand this manual.

## Description of Symbols

The rating plate on your tool may show symbols. These represent important information about the product or instructions on its use.



Wear hearing protection  
Wear eye protection  
Wear breathing protection  
Wear head protection



Wear hand protection



Read instruction manual



Warning: Sharp blades or teeth!



DO NOT use in rain or damp environments!



Always disconnect from the power supply when adjusting, changing accessories, cleaning, carrying out maintenance and when not in use!



WARNING: Moving parts can cause crush and cut injuries



Caution!



Class II construction (double insulated for additional protection)



### Environmental Protection

Waste electrical products should not be disposed of with household waste. Please recycle where facilities exist. Check with your local authority or retailer for recycling advice.



Conforms to relevant legislation and safety standards.

## Technical Abbreviations Key

V	Volts
~, AC	Alternating current
A, mA	Ampere, milli-Amp
n <sub>0</sub>	No load speed
n	Rated speed
A <sub>h</sub>	Amp hours (battery capacity)
°	Degrees
Ø	Diameter
Hz	Hertz
, DC	Direct current
W, kW	Watt, kilowatt
/min or min <sup>-1</sup>	Operations per minute
λ	Wavelength
dB(A)	Decibel sound level (A weighted)
m/s <sup>2</sup>	Metres per second squared (vibration magnitude)

## Specification

Model no:	TDJ600
Voltage:	220 - 240V~ 50/60Hz
Input power:	710W
No load speed:	17,000min <sup>-1</sup>
Drill bit spacing:	32mm (1-1/4")
Drilling depth:	0 - 38mm (0 - 1-1/2")
Drill diameter:	Ø6-10mm
Fence angle range:	0 - 90°
Height Adjustment:	9 - 43mm (23/64" - 1-11/16")
Protection Class:	
Power cord length:	3m (9' 10")
Dimensions (L x W x H):	170 x 155 x 220mm (18-1/2 x 6 x 8-5/8")
Weight:	2.8kg (6.2lbs)

As part of our ongoing product development, specifications of Triton products may alter without notice.

• Imperial measurements are approximate.

### Sound and vibration information:

Sound pressure L <sub>PA</sub> *	88.4dB(A)
Sound power L <sub>WA</sub> *	99.4dB(A)
Uncertainty K:	3dB
Weighted vibration:	2.584m/s <sup>2</sup>
Uncertainty:	1.5m/s <sup>2</sup>

The sound intensity level for the operator may exceed 85dB(A) and sound protection measures are necessary.

**WARNING:** Always wear ear protection where the sound level exceeds 85dB(A) and limit the time of exposure if necessary. If sound levels are uncomfortable, even with ear protection, stop using the tool immediately and check the ear protection is correctly fitted and provides the correct level of sound attenuation for the level of sound produced by your tool.

**WARNING:** User exposure to tool vibration can result in loss of sense of touch, numbness, tingling and reduced ability to grip. Long term exposure can lead to a chronic condition. If necessary, limit the length of time exposed to vibration and use anti-vibration gloves. Do not operate the tool with hands below a normal comfortable temperature, as vibration will have a greater effect. Use the figures provided in the specification relating to vibration to calculate the duration and frequency of operating the tool.

Sound and vibration levels in the specification are determined according to EN60745 or similar international standards. The figures represent normal use for the tool in normal working conditions. A poorly maintained, incorrectly assembled, or misused tool, may produce increased levels of noise and vibration. [www.osha.europa.eu](http://www.osha.europa.eu) provides information on sound and vibration levels in the workplace that may be useful to domestic users who use tools for long periods of time.

## General Safety

**WARNING** Read all safety warnings and all instructions. Failure to follow the warnings and instructions may result in electric shock, fire and/or serious injury.

**WARNING:** This appliance is not intended for use by persons (including children) with reduced, physical or mental capabilities or lack of experience or knowledge unless they have been given supervision or instruction concerning use of the appliance by a person responsible for their safety. Children must be supervised to ensure that they do not play with the appliance.

Save all warnings and instructions for future reference.

The term "power tool" in the warnings refers to your mains-operated (corded) power tool or battery-operated (cordless) power tool.

### 1) Work area safety

- Keep work area clean and well lit. Cluttered or dark areas invite accidents.**
- Do not operate power tools in explosive atmospheres, such as in the presence of flammable liquids, gases or dust. Power tools create sparks which may ignite the dust or fumes.**
- Keep children and bystanders away while operating a power tool. Distractions can cause you to lose control.**

### 2) Electrical safety

- Power tool plugs must match the outlet. Never modify the plug in any way. Do not use any adapter plugs with earthed (grounded) power tools. Unmodified plugs and matching outlets will reduce risk of electric shock.**
- Avoid body contact with earthed or grounded surfaces, such as pipes, radiators, ranges and refrigerators. There is an increased risk of electric shock if your body is earthed or grounded.**
- Do not expose power tools to rain or wet conditions. Water entering a power tool will increase the risk of electric shock.**
- Do not abuse the cord. Never use the cord for carrying, pulling or unplugging the power tool. Keep cord away from heat, oil, sharp edges or moving parts. Damaged or entangled cords increase the risk of electric shock.**
- When operating a power tool outdoors, use an extension cord suitable for outdoor use. Use of a cord suitable for outdoor use reduces the risk of electric shock.**
- If operating a power tool in a damp location is unavoidable, use a residual current device (RCD) protected supply. Use of an RCD reduces the risk of electric shock.**
- When used in Australia or New Zealand, it is recommended that this tool is ALWAYS supplied via Residual Current Device (RCD) with a rated residual current of 30mA or less.**

### 3) Personal safety

- Stay alert, watch what you are doing and use common sense when operating a power tool. Do not use a power tool while you are tired or under the influence of drugs, alcohol or medication. A moment of inattention while operating power tools may result in serious personal injury.**
- Use personal protective equipment. Always wear eye protection. Protective equipment such as dust mask, non-skid safety shoes, hard hat, or hearing protection used for appropriate conditions will reduce personal injuries.**

- Prevent unintentional starting. Ensure the switch is in the off-position before connecting to power source and/or battery pack, picking up or carrying the tool. Carrying power tools with your finger on the switch or energising power tools that have the switch on invites accidents.**
  - Remove any adjusting key or wrench before turning the power tool on. A wrench or a key left attached to a rotating part of the power tool may result in personal injury.**
  - Do not overreach. Keep proper footing and balance at all times. This enables better control of the power tool in unexpected situations.**
  - Dress properly. Do not wear loose clothing or jewellery. Keep your hair, clothing and gloves away from moving parts. Loose clothes, jewellery or long hair can be caught in moving parts.**
  - If devices are provided for the connection of dust extraction and collection facilities, ensure these are connected and properly used. Use of dust collection can reduce dust-related hazards.**
- Power tool use and care**
    - Do not force the power tool. Use the correct power tool for your application. The correct power tool will do the job better and safer at the rate for which it was designed.**
    - Do not use the power tool if the switch does not turn it on and off. Any power tool that cannot be controlled with the switch is dangerous and must be repaired.**
    - Disconnect the plug from the power source and/or the battery pack from the power tool before making any adjustments, changing accessories, or storing power tools. Such preventive safety measures reduce the risk of starting the power tool accidentally.**
    - Store idle power tools out of the reach of children and do not allow persons unfamiliar with the power tool or these instructions to operate the power tool. Power tools are dangerous in the hands of untrained users.**
    - Maintain power tools. Check for misalignment or binding of moving parts, breakage of parts and any other condition that may affect the power tool's operation. If damaged, have the power tool repaired before use. Many accidents are caused by poorly maintained power tools.**
    - Keep cutting tools sharp and clean. Properly maintained cutting tools with sharp cutting edges are less likely to bind and are easier to control.**
    - Use the power tool, accessories and tool bits etc. in accordance with these instructions, taking into account the working conditions and the work to be performed. Use of the power tool for operations different from those intended could result in a hazardous situation.**

### 5) Service

- Have your power tool serviced by a qualified repair person using only identical replacement parts. This will ensure that the safety of the power tool is maintained.**

## Dowel and Biscuit Joints Safety



**WARNING!**

- Jointers must be rated for at least the speed marked on the tool. Jointers running over rated speed can fly apart and cause injury.**
- Always use the guard. The guard protects the operator from broken fragments and unintentional contact with the drill.**
- Hold power tool by insulated gripping surfaces, because the cutter may contact its own cord. Cutting a "live" wire may make exposed metal parts of the power tool "live" and could give the operator an electric shock.**
- Do not allow anyone under the age of 18 years to use this tool. Ensure that operators are familiar with these operating and safety instructions.**
- If the replacement of the supply cord is necessary, this has to be done by the manufacturer or his agent in order to avoid a safety hazard.**
- It is strongly recommended that the tool always be supplied via a residual current device with a rated residual current of 30 mA or less.**

**WARNING:** Do not use blunt or damaged drills.

**WARNING:** Check the proper function of the guard retracting system before use.

GB



**Use appropriate respiratory protection:** *Use of this tool can generate dust containing chemicals known to cause cancer, birth defects or other reproductive harm. Some wood contains preservatives such as copper chromium arsenate (CCA) which can be toxic. When sanding, drilling, or cutting these materials extra care should be taken to avoid inhalation and minimise skin contact.*

- a) Extension cable reels used with this tool must be completely unravelling. Minimum conductor cross section: 1.0mm<sup>2</sup>
- b) When using this tool outdoors, connect to a power supply with an RCD device and minimum 1.5mm<sup>2</sup> extension cable with water protected plugs in good working order
- c) Ensure that the cutter or blade is securely fitted before use. Insecure cutters or blades can be ejected from the machine causing a hazard
- d) Always wait until the tool has come to a complete stop before putting it down
- e) When using the tool, use safety equipment including safety glasses or shield, ear defenders, and protective clothing including safety gloves. Wear a dust mask if the drilling operation creates dust
- f) Ensure that the lighting is adequate
- g) Ensure that the cutter or blade is in NOT contact with the workpiece prior to starting up the tool
- h) Use both hands when operating this tool
- i) Always fit auxiliary handles supplied with the tool unless the instructions specifically state an exception for certain tasks
- j) Do not put pressure on the tool, to do so would shorten its service life
- k) Cutters and blades will get hot during operation, allow to cool prior to handling them
- l) Never use your hands to remove sawdust, chips or waste close to the cutter or blade
- m) If you are interrupted when operating the tool, complete the process and switch off before looking up
- n) Where possible, use clamps or a vice to hold your work
- o) Always disconnect the tool from the electric supply before changing a bit
- p) Examine the cutter or blade mounting regularly for signs of wear or damage. Have damaged parts repaired by a qualified service centre
- q) On completion of the work, disconnect the tool from the power source
- r) Periodically check all nuts, bolts and other fixings and tighten where necessary

## Cutting Tool Safety

**WARNING.** Before connecting a tool to a power source (mains switch power point receptacle, outlet, etc.) be sure that the voltage supply is the same as that specified on the nameplate of the tool. A power source with a voltage greater than that specified for the tool can result in serious injury to the user, and damage to the tool. If in doubt, do not plug in the tool. Using a power source with a voltage less than the nameplate rating is harmful to the motor.

### Use the correct cutting tool

- Ensure the cutting tool is suitable for the job. Do not assume a tool is suitable without checking the product literature before use

### Protect your eyes

- Always wear appropriate eye protection when using cutting tools
- Spectacles are not designed to offer any protection when using this product; normal lenses are not impact resistant and could shatter

### Protect your hearing

- Always wear suitable hearing protection when tool noise exceeds 85dB

### Protect your breathing

- Ensure that yourself, and others around you, wear suitable dust masks

### Protect your hands

- Do not allow hands to get close to the cutting wheel or blades. Use a suitable push stick for shorter workpieces with appropriate power tools

## Be aware of others around you

- It is the responsibility of the user to ensure that other people in the vicinity of the work area are not exposed to dangerous noise or dust and are also provided with suitable protective equipment

## Hidden objects

- Inspect the workpiece and remove all nails and other embedded objects before cutting
- Do not attempt to cut material that contains embedded objects unless you know that the cutting tool fitted to your machine is suitable for the job
- Walls may conceal wiring and piping, car body panels may conceal fuel lines, and long grass may conceal stones and glass. Always check the work area thoroughly before proceeding

## Beware of projected waste

- In some situations, waste material may be projected at speed from the cutting tool. It is the user's responsibility to ensure that other people in the work area are protected from the possibility of projected waste

## Fitting cutting tools

- Ensure cutting tools are correctly and securely fitted and check that wrenches / adjusters are removed prior to use
- Only use cutting tools recommended for your machine
- Do not attempt to modify cutting tools

## Direction of feed

- Always feed work into the blade or cutter against the direction of movement of the blade or cutter

## Beware of heat

- Cutting tools and workpieces may become hot in use. Do not attempt to change tools until they have been allowed to cool completely

## Control dust / swarf

- Do not allow dust or swarf to build up. Sawdust is a fire hazard, and some metal swarf is explosive
- Be especially careful when cutting wood and metal. Sparks from metal cutting are a common cause of wood dust fires
- Where possible, use a dust extraction system to ensure a safer working environment

## Product Familiarisation

1. Fence
2. Viewer
3. Auxiliary Handle
4. Tool Body
5. Main Handle
6. Depth Gauge Locking Knob
7. Zero Indicator
8. Depth Gauge
9. Fence Angle Locking Knob
10. Angle Guide
11. Jig Teeth
12. Front Face
13. Non-slip pads
14. Jig Teeth Bar
15. Hex Key
16. Fence Height Adjustment Knob
17. Fence Height Locking Knob
18. Height Scale
19. Drill Bit Holders
20. Return Spring
21. On/Off Trigger Switch
22. Dust Port

**Accessories supplied:** 2 x 8mm diameter drill bits, hex key and dust adaptor

## Intended Use

Portable mains-operated power tool that produces consistently spaced dowel holes for creating joints in wood.

## Before Use

### Fitting drill bits

**WARNING:** The Drill Bits are very sharp; always wear gloves and handle with care.

1. Rotate one of the Drill Bit Holders (19) until you have access to the fastening screw (Image A)
2. Loosen the screw using the supplied Hex Key (15)
3. Hold the bit so that the flat section of the shank will align with the fastening screw.
4. Insert the shank as far as it will go into the holder, and tighten the fastening screw to secure in place
5. Check the bit is securely fastened
6. Repeat procedure with the other bit

### Zeroing the depth gauge

After fitting the drill bits, it is necessary to re-set the Depth Gauge (8) and Zero Indicator (7) so that the gauge reads correctly (Image C)

1. Loosen the Depth Gauge Locking Knob (6) enough so the Depth Gauge can move freely
2. Use a scrap piece of wood placed against the Front Face (12) and carefully push the Tool Body (4) forwards until it stops, so that the cutting point of the drill bits is level with the surface of the Front Face. Hold this in position

**Note:** Depending on the drill bits used, it may already be very close to level with the Front Face and may only need minor or possibly no movement for the drill bits to be level with the Front Face

3. Move the Depth Gauge (8) as far back as possible away from the Front Face and then re-tighten the Depth Gauge Locking Knob while still holding the position in Step 2
4. Loosen and rotate the Zero Indicator (7) slightly so that the pointer is level with '0' on the Depth Gauge then re-tighten.
5. Carry out a final check to ensure the drill bits are level with the Front Face while the Zero Indicator is level with '0' on the depth gauge.

**Note:** You do not need to adjust the position of the Zero Indicator again until you change the drill bits

### Connecting a dust extraction system

1. Push-fit the supplied dust adaptor into the Dust Port (22 & Image B)
2. Attach the hose from the dust extraction system to the dust adaptor and make sure it is fitted securely.

**Note:** The adaptor can be adjusted to any take-off position through the 180° arc towards the operator.

### Setting the fence angle

The Fence (1) has 90° travel, with indents for quick and easy setting at 22.5°, 45° and 67.5°.

To set the angle required:

1. Loosen the Fence Angle Locking Knob (9).
2. Rotate the Fence to the required angle setting on the Angle Guide (10), see Image D
3. Tighten the Fence Angle Locking Knob so that the Fence is secured in position

**Note:** Check the Fence is securely locked in position before drilling; failure to do so may result in damage to the workpiece or the machine if it moves during use

**Note:** The Angle Guide is approximate only; use additional angle measuring equipment if necessary, to check the fence angle

### Using the viewer

- The three lines on the Viewer (2) identify:
  - The centre line of each drill bit,
  - The centre line between the two drill bits.

- Use these markings to accurately align the drill with the set-up marks on your workpiece (Image G)

**NOTE:** The Triton Double Dowelling Jointer produces holes spaced at exactly 32mm, making the tool compatible with 'System 32' cabinet making – ideal for creating neatly spaced rows of holes in cabinet walls.

### Adjusting the drilling depth

- The Depth Gauge (8) enables you to set a drilling depth of 0 - 38mm (Image F) (0 - 1-1/2" on US model)
  - Whenever drill bits are changed or new bits fitted, the Zero Indicator (7) and Depth Gauge (8) must be zeroed. See 'Zeroing the depth gauge' for guidance.
  - Use the scale on the guide to set the required depth
1. Loosen the Depth Gauge Locking Knob (6) so that the Depth Gauge can slide back and forth
  2. Position the Depth Gauge so that the required depth (on the scale) is aligned with the pointer on the Zero Indicator (7)
  3. Tighten the Depth Gauge Locking Knob to secure the depth adjustment gauge in the required position. This will limit the movement of the tool body and therefore the drilling depth to the maximum value you have set

### Adjusting the drilling height

The rack and pinion fence height adjustment mechanism allows adjustment of the drilling height from 9mm to 43mm (Image G) (23/64" - 1-11/16" on US model)

1. Loosen the Fence Height Locking Knob (17)
2. Rotate the Fence Height Adjustment Knob (16) to raise or lower the Fence
3. Align the black arrow on the height adjustment mechanism with the height required on the Height Scale (18)
4. Tighten the Fence Height Locking Knob to secure the Fence (1) at the set height

## Operation

**IMPORTANT:** Always use two hands when drilling. Hold the Tool Body (4) of the jointer in one hand, with a finger resting comfortably on the On/Off Trigger Switch (21) and with the other hand hold the Auxiliary Handle (3) so the tool is securely held

### Switching on and off

- To start the dowel jointer squeeze the On/Off Trigger Switch (21)
- Release the On/Off Trigger Switch to turn off

Notes:

- In order to drive holes into the workpiece as required, first set up the dowelling jointer according to the 'Before Use' instructions, and prepare the workpiece(s) by marking in pencil at the required drilling points
  - It is important that the workpieces are accurately marked. It may be easier to loosely assemble the two pieces together in exactly the required position and mark with a pencil across both pieces, and then drill the holes. Assemble loosely again, with the first 2 dowels fitted, before marking again where subsequent dowels are required. Ideally a middle position in the wood is preferable for the first dowel holes.
  - There is little tolerance when joining wood with dowels, so accurate measurement is very important at all times. The most critical holes are normally those at the edges of the workpiece, so any positioning mistakes are best placed in the middle of wood where extra dowel holes can be added if necessary
  - The workpiece will need to be clamped to the workbench, although it is possible the use of a non-slip mat between the workpiece and workbench surface will be sufficient in some instances
1. Hold the body of the machine with one hand so that a finger rests on the On/Off Trigger Switch (21)
  2. Align the guides on the Viewer (2) with the pencil marks on the workpiece and position the dowelling jointer in readiness to drive the holes (Image H)
  3. Position the machine against the workpiece so that the Front Face (12) and the underside of the Fence (1) are fully in contact with the workpiece
  4. Press down on the front of the Fence with the fingers of your other hand to hold the machine in position, and check there are no gaps under the Front Face or underside of the Fence. Move your hand back to the Handle (3) so the tool is held securely

**Note:** It may be necessary to secure the tool by applying pressure on the Fence (1) (Image H) rather than holding the Auxiliary Handle (3) to ensure the tool stays in the same position on the wood.

**Note:** It may also be necessary to apply pressure if you are using a non-slip mat to secure the workpiece, which requires more downward pressure on the workpiece. Only do so if you are comfortable holding the tool with only one hand on the main body. Ideally both hands should be used to hold the tool during operation with the workpiece firmly clamped to the work surface for maximum safety.

- In one smooth movement, press the On/Off Trigger Switch (21) and push the body of the machine forward so that the drill bits penetrate the workpiece (Image I)
- Push the body of the machine forward as far as it will go, until arrested by the depth stop on the Depth Gauge (8) to create the desired holes in the correct positions
- While keeping the tool powered, allow the body of the tool to return to its original position, removing the drill bits from the workpiece. Hold the tool securely with both hands while doing so
- Once the drill bits have exited the holes, release the On/Off Trigger Switch

**NOTE:** The Return Spring (20) will cause the body to move automatically back to the rest position, withdrawing the drill bits from the workpiece, while still applying some pressure to the Front Face and Fence. The operator should carefully control the exit of the drill bits, taking care to maintain the tool in exactly the same position in relation to the holes drilled

- Once the drill bits are clear of the workpiece and have stopped rotating, lift the machine away from the workpiece

**Note:** It is recommended to practise using the dowelling jointer on scrap pieces of wood first so you can fully understand how it operates

## Positioning

- In order to drill the corresponding holes in the face of the joining workpiece, the machine needs to be positioned perpendicular to that face (Image J)
- It is recommended that you work with the machine bearing down on the workpiece, so that the weight of the machine works with the direction of operation, as opposed to attempting to drive holes upwards from below the workpiece
- If you need to drill holes too far from an edge, configure the jointer so that both the Fence and Front Face are level with each other. The jointer can now rest vertically on a surface and be positioned freely - even on large workpieces (Image K) . Ensure the tool is secure in position before drilling

## Using a jig or template

The dowel jointer is fitted with Jig Teeth (11) and a Jig Teeth Bar (14) which enable fast drilling of holes when using a dowel jig or template (not supplied)

- The use of such a jig or template allows rapid drilling of accurate holes and can speed up the process of cabinet making. It is also ideal for creating shelving holes at regularly spaced intervals

- Clamp the jig or template to the workpiece exactly in the required position after careful measuring
- Set up the dowel jointer to use either the Jig Teeth Bar (14) or the Jig Teeth (11) with the dowel jig or template

**Note:** Make sure the correct drilling depth, fence angle and fence height is set

- Drill the required holes by inserting the Jig Teeth of the dowel jointer with the teeth slots of the dowel jig or template, and then operate the tool as normal

**Note:** Using a dowel jig or template is ideal when working with the jointer configured for free positioning over a large workpiece with both the Fence and Front Face level

**Note:** Although there are commercial dowel jigs available, alternatively a dowel jig or template can be constructed

## Other joints

**Note:** The versatility of this tool goes far beyond what is covered in this manual and this serves only as an introduction to its features and operation.

## Accessories

A wide range of accessories is available from your Triton dealer. Spares can be ordered through your Triton dealer or [www.toolsparsonline.com](http://www.toolsparsonline.com).

## Maintenance



**WARNING:** ALWAYS disconnect the tool from the power supply, before cleaning or carrying out maintenance.

- Inspect the supply cord of the tool prior to each use for damage or wear.
- if the replacement of the supply cord is necessary, this has to be done by the manufacturer or his agent in order to avoid a safety hazard.

## General inspection

- Regularly check that all the fixing screws are tight. They may vibrate loose over time

## Lubrication

- Lubricate all moving parts with a suitable lubricant spray, at regular intervals

## Cleaning

**WARNING:** ALWAYS wear protective equipment including eye protection and gloves when cleaning this tool.

- Keep your tool clean at all times. Dirt and dust will cause internal parts to wear quickly, and shorten the device's service life
- Clean the body of your machine with a soft brush, or dry cloth
- Never use caustic agents to clean plastic parts. If dry cleaning is not sufficient, a mild detergent on a damp cloth is recommended
- Water must never come into contact with the tool
- Ensure the tool is thoroughly dry before using it
- If available, use clean, dry, compressed air to blow through the ventilation holes (where applicable)

## Brushes

- Over time the carbon brushes inside the motor may become worn
- Excessively worn brushes may cause loss of power, intermittent failure, or visible sparking
- To replace the brushes, remove the four screws that secure the Main Handle (5) housing. Remove the two sides carefully making sure not to pull or damage the cables. Remove the worn brushes and replace with new. Refit the housing carefully then insert and tighten the screws. Alternatively, have the machine serviced at an authorised Triton service centre.

## Disposal

Always adhere to national regulations when disposing of power tools that are no longer functional and are not viable for repair.

- Do not dispose of power tools, or other waste electrical and electronic equipment (WEEE), with household waste
- Contact your local waste disposal authority for information on the correct way to dispose of power tools



## Guarantee

To register your guarantee visit our web site at [www.tritontools.com](http://www.tritontools.com)\* and enter your details.

Your details will be included on our mailing list (unless indicated otherwise) for information on future releases. Details provided will not be made available to any third party.

## Purchase Record

Date of Purchase: \_\_\_/\_\_\_/\_\_\_

Model: TDJ600 Retain your receipt as proof of purchase

## CE Declaration of Conformity

The undersigned: Mr Darrell Morris

as authorised by: Triton Tools

Declares that

Identification code: 186171

Description: Dowelling Joints

Conforms to the following directives and standards:

- Machinery Directive 2006/42/EC
- Low Voltage Directive 2006/95/EC
- EMC Directive 2014/108/EC
- RoHS Directive 2011/65/EU
- EN60745-2-19:2005+A1:2010
- EN60745-1:2009+A11:2010
- EN55014-1:2009+A2:2011
- EN55014-2:1997+A2:2008
- EN61000-3-2:2014
- EN61000-3-3:2013 • EN62321:2009

Triton Precision Power Tools guarantees to the purchaser of this product that if any part proves to be defective due to faulty materials or workmanship within 3 YEARS from the date of original purchase,

Triton will repair, or at its discretion replace, the faulty part free of charge.

This guarantee does not apply to commercial use nor does it extend to normal wear and tear or damage as a result of accident, abuse or misuse.

\* Register online within 30 days.

Terms & conditions apply.

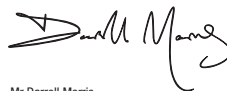
This does not affect your statutory rights

Notified body: TÜV SÜD Product Service

The technical documentation is kept by: Triton Tools

Date: 05/05/15

Signed:



Mr Darrell Morris

Managing Director

Name and address of the manufacturer:

Powerbox International Limited, Company No. 06897059. Registered address: Powerbox, Boundary Way, Lufton Trading Estate, Yeovil, Somerset, BA22 8HZ, United Kingdom.

# Vertaling van de originele instructies

## Introductie

Hartelijk dank voor de aanschaf van dit Triton- gereedschap. Deze instructies bevatten informatie die u nodig hebt voor een veilige en doeltreffende bediening van dit product. Dit product heeft unieke kenmerken. Zelfs als u bekend bent met gelijksoortige producten dient u deze handleiding zorgvuldig door te lezen, zodat u in staat bent alle voordelen te benutten. Houd deze handleiding bij de hand en zorg ervoor dat alle gebruikers van dit gereedschap de handleiding hebben gelezen en volledig hebben begrepen.

## Beschrijving symbolen

Op het gegevensplaatje van uw gereedschap kunnen zich symbolen bevinden. Deze vertegenwoordigen belangrijke productinformatie en gebruiksinstructies.

## Beschrijving symbolen



Draag gehoorbescherming  
Draag een veiligheidsbril  
Draag een stofmasker  
Draag een veiligheidshelm



Draag handschoenen



Lees de handleiding



Waarschuwing: scherpe bladen of tanden!



Gebruik niet de regen of in vochtige omstandigheden!



Ontkoppel de machine van de stroombron voor het maken van aanpassingen, het verwisselen van accessoires, het schoonmaken, het uitvoeren van onderhoud en wanneer de machine niet in gebruik is!



**WAARSCHUWING:** Bewegende delen kunnen ernstig letsel veroorzaken.



Voorzichtig!



Beschermingsklasse II (dubbel geïsoleerd)



**Milieubescherming**  
Elektrische producten mogen niet met het normale huisvuil worden weggegooid. Indien de mogelijkheid bestaat, dient u het product te recyclen. Vraag de plaatselijke autoriteiten of winkelier om advies betreffende recyclen.



Voldoet aan de relevante wetgeving en veiligheidsnormen

## Technische afkortingen

V	Volt
~, AC	Wisselspanning
A, mA	Ampère, milliampère
n <sub>0</sub>	Onbelaste snelheid
n	Snelheid
A <sub>h</sub>	Ampère-uur (accu capaciteit)
°	Graden
Ø	Diameter
Hz	Hertz
, DC	Gelijkspanning
W, kW	Watt, kilowatt
/min or min <sup>-1</sup>	Operations per minute
λ	Golfengte
dB(A)	Decibel geluidsniveau (A)
m/s <sup>2</sup>	Meters per seconde (trilling)

## Specificaties

Model nr.:	TDJ600
Spanning:	220-240 V~, 50/60 Hz
Vermogen:	710 W
Onbelaste snelheid:	17,000min <sup>-1</sup>
Boor afstand:	32 mm
Boor diepte:	0 – 38 mm
Boordiameter:	Ø6 - 10 mm
Bereik afschuininghoek:	0 - 90°
Hoogte verstelling:	9-43 mm
Beschermingsklasse:	
Stroomsnoer lengte:	3 m
Afmetingen (L x B x H):	470 x 155 x 220 mm
Gewicht:	2,8 kg

Met het oog op onze aanhoudende productontwikkeling kunnen de specificaties van Triton producten zonder voorafgaande kennisgeving worden gewijzigd.

### Geluid en trilling:

Geluidsdruk:	88,4 dB(A)
Geluidsvermogen:	99,4 dB(A)
Onzekerheid:	3 dB
Trilling:	2,584 m/s <sup>2</sup>
Onzekerheid:	1,5 m/s <sup>2</sup>

De geluidsintensiteit voor de bediener kan 85 dB (A) overschrijden en de gehoorbescherming is noodzakelijk.

**WAARSCHUWING:** Bij een geluidsintensiteit van 85 dB(A) of hoger is het dragen van gehoorbescherming en het limiteren van de blootstellingstijd vereist. Bij oncomfortabele hoge geluidsniveaus, zelfs met het dragen van gehoorbescherming, stopt u het gebruik van de machine onmiddellijk. Controleer de pasvorm en het geluidempingsniveau van de bescherming.

**WAARSCHUWING:** Blootstelling aan trilling resulteert mogelijk in gevoelloosheid, tinteling en een verminderd gripvermogen. Langdurige blootstelling kan leiden tot chronische condities. Limiteer de blootstellingsduur en draag anti-vibratie handschoenen. Vibratie heeft een grotere invloed op handen met een temperatuur lager dan een normale, comfortabele temperatuur. Maak gebruik van de informatie in de specificaties voor het berekenen van de gebruiksduur en frequentie van de machine.

Geluid- en trillingsniveaus in de specificatie zijn vastgesteld volgens EN60745 of een gelijksoortige internationale norm. De waarden gelden voor een normaal gebruik in normale werkomstandigheden. Een slecht onderhouden, onjuist samengestelde of onjuist gebruikte machine produceert mogelijk hogere geluids- en trillingsniveaus. [www.osha.europa.eu](http://www.osha.europa.eu) biedt informatie met betrekking tot geluids- en trillingsniveaus of de werkplek wat mogelijk nuttig is voor regelmatige gebruikers van machines.

## Algemene veiligheid

**WAARSCHUWING** Lees alle bediening- en veiligheidsvoorschriften. *Het niet opvolgen van alle voorschriften die hieronder vermeld staan, kan resulteren in een elektrische schok, brand en/of ernstig letsel.*

**Bewaar deze voorschriften voor toekomstig gebruik.**

*De term "elektrisch gereedschap" in alle hieronder vermelde waarschuwingen heeft betrekking op uw elektrische gereedschap dat op de stroom is aangesloten (met een snoer) of met een accu wordt gevoed (snoerloos).*

### 1) Veiligheid in de werkruimte

- Houd de werkruimte schoon en zorg voor een goede verlichting.** Rommelige en donkere ruimtes leiden vaak tot ongelukken.
- Werk niet met elektrisch gereedschap in explosieve omgevingen, bijvoorbeeld in de aanwezigheid van ontvlambare vloeistoffen, gassen of stof.** Elektrisch gereedschap brengt vonken teweeg die stof of dampen kunnen doen ontbranden.
- Houd kinderen en omstanders uit de buurt wanneer u elektrisch gereedschap bedient.** Door afleiding kunt u de controle over het gereedschap verliezen.

### 2) Elektrische veiligheid

- De stekkers van het elektrische gereedschap moeten passen bij het stopcontact. Pas de stekker niet aan.** Gebruik geen adapterstekkers bij geaard elektrisch gereedschap. *Het gebruik van ongewijzigde stekkers en passende stopcontacten vermindert het risico op een elektrische schok.*
- Vermijd lichamelijk contact met geaarde oppervlakken zoals pijpen, radiatoren, fornuizen en koelkasten.** *Het risico op een elektrische schok neemt toe als uw lichaam geaard wordt.*
- Laat elektrisch gereedschap niet nat worden.** *Wanneer elektrisch gereedschap nat wordt, neemt het risico op een elektrische schok toe.*
- Beschadig het snoer niet.** Gebruik het snoer nooit om het elektrisch gereedschap te dragen, te trekken of om de stekker uit het stopcontact te trekken. *Houd het snoer uit de buurt van hitte, olie, scherpe randen of bewegende delen. Een beschadigd of in de knoop geraakt snoeren verhoogt het risico op een elektrische schok toe.*
- Wanneer u elektrisch gereedschap buiten gebruikt, maak dan gebruik van een verlengsnoer dat geschikt is voor gebruik buitenshuis.** *Gebruik een verlengsnoer dat geschikt is voor gebruik buitenshuis om het risico op een elektrische schok te verminderen.*
- Indien het onvermijdelijk is elektrisch gereedschap te gebruiken in een vochtige omgeving, gebruik dan een energiebron met een aardlek beveiliging (Residual Current Device).** *Het gebruik van een RCD vermindert het risico op een elektrische schok.*

**WAARSCHUWING:** *Wanneer de machine in Australië of Nieuw-Zeeland gebruikt wordt, met een lekstroom van 30 mA of lager, is het gebruik van een aardlekschakelaar aanbevolen*

### 3) Persoonlijke veiligheid

- Blijf alert en gebruik uw gezonde verstand wanneer u elektrisch gereedschap bedient.** Gebruik het elektrisch gereedschap niet wanneer u vermoeid bent of onder invloed van drugs, alcohol of medicijnen. *Onoplettendheid tijdens het bedienen van elektrisch gereedschap kan leiden tot ernstig letsel.*
- Maak gebruik van persoonlijke bescherming.** *Draag altijd een veiligheidsbril. Passende bescherming voor de omstandigheden, zoals een stofmasker, niet-slippende veiligheidsschoenen en een helm of gehoorbescherming, vermindert het risico op persoonlijk letsel.*

- Zorg ervoor dat het apparaat niet per ongeluk wordt gestart.** *Controleer of de schakelaar in de 'uit' stand staat voordat u de stekker in het stopcontact steekt. Het dragen van elektrisch gereedschap met uw vinger op de schakelaar of het aansluiten op de stroom van elektrisch gereedschap met de schakelaar ingeschakeld kan tot ongelukken leiden.*
- Verwijder alle stel- of moersleutels voordat u het elektrische gereedschap inschakelt.** *Een moer- of stelsleutel die zich op een draaiend onderdeel van het elektrische gereedschap bevindt, kan leiden tot letsel.*
- Reik niet te ver. Blijf altijd stevig en in balans staan.** *Zo houdt u meer controle over het elektrische gereedschap in onverwachte situaties.*
- Draag geschikte kleding.** *Draag geen loshangende kleding of sieraden. Houd haren, kleding en handschoenen uit de buurt van bewegende delen. Loshangende kleding, sieraden en los hangende haren kunnen vast komen te zitten in bewegende delen.*
- Als er onderdelen voor stofafvoer- en stofverzameling worden meegeleverd, sluit deze dan aan en gebruik deze op de juiste wijze.** *Het gebruik van deze onderdelen kan het risico op stofgerelateerde ongelukken verminderen.*
- Gebruik en verzorging van elektrisch gereedschap**
  - Forceer elektrisch gereedschap niet.** Gebruik elektrisch gereedschap dat geschikt is voor het werk dat u wilt uitvoeren. *Geschikt elektrisch gereedschap werkt beter en veiliger op een passende snelheid.*
  - Gebruik het elektrische gereedschap niet als de schakelaar het apparaat niet in- en uitschakelt.** *Elektrisch gereedschap dat niet bediend kan worden met de schakelaar is gevaarlijk en moet gerepareerd worden.*
  - Haal de stekker uit het stopcontact voordat u instellingen aanpast, toebehoren verwisselt of het elektrische gereedschap opbergt.** *Dergelijke voorzorgsmaatregelen verminderen het risico op het per ongeluk starten van het elektrische gereedschap.*
  - Berg elektrisch gereedschap dat niet in gebruik is op buiten bereik van kinderen en laat mensen die niet bekend zijn met het elektrische gereedschap of met deze instructies het elektrische gereedschap niet bedienen.** *Elektrisch gereedschap is gevaarlijk in de handen van onervaren gebruikers.*
  - Onderhoud uw elektrisch gereedschap.** *Controleer of foutieve uitlijning of het vastslaan van bewegende delen, gebroken onderdelen en elke andere afwijking die de werking van het elektrische gereedschap zou kunnen beïnvloeden. Indien het elektrische gereedschap beschadigd is, moet u het laten repareren voordat u het weer gebruikt. Veel ongelukken worden veroorzaakt door slecht onderhouden elektrisch gereedschap.*
  - Houd snijwerktuigen scherp en schoon.** *Goed onderhouden snijwerktuigen met scherpe messen slaan minder snel vast en zijn gemakkelijker te bedienen.*
  - Gebruik het elektrische gereedschap, toebehoren en onderdelen, etc. volgens deze instructies en volgens bestemming voor het specifieke type elektrische gereedschap, en houd daarbij rekening met de werkomstandigheden en het uit te voeren werk.** *Gebruik van elektrisch gereedschap voor werkzaamheden die verschillen in die waarvoor het apparaat bestemd is, kan leiden tot gevaarlijke situaties.*
- Onderhoud**
  - Laat uw elektrische gereedschap onderhouden door een gekwalificeerde vakman en gebruik alleen identieke vervangstukken.** *Zo bent u er zeker van dat de veiligheid van het elektrische gereedschap gewaarborgd blijft.*

## Deuvelmachine veiligheid

### WAARSCHUWING!

- Bits en bladen dienen minimaal getest te zijn op de aanbevolen snelheid, weergegeven op de machine.** *Wanneer de maximale snelheid van de bits/bladen overschreden wordt, breken deze mogelijk wat kan resulteren in ernstig letsel*
- Beschermkappen en andere ingebouwde veiligheidseigenschappen dienen te allen tijde gebruikt te worden.** *Deze beschermen de gebruiker tegen gebroken bits/bladen en onbedoeld contact met scherpe randen*
- Houdt elektrische machines te allen tijde bij de geïsoleerde handvaten vast,** *wanneer het boor bit tijdens gebruik mogelijk in contact kan komen met elektriciteitsdraden. Het contact met elektriciteitsdraden resulteert mogelijk in elektrische schok*
- Personen jonger dan 18 jaar mogen de machine niet gebruiken.** *Gebruikers dienen deze handleiding aandachtig door te lezen*
- Wanneer het stroomsnoer beschadigd is dient deze door de fabrikant vervangen te worden om veiligheidsrisico's te voorkomen**
- Het is aanbevolen gebruik te maken van een aardlekschakelaar met een lekstroom van 30 mA of lager**

**WAARSCHUWING:** Gebruik geen botte of beschadigde boor bits

**WAARSCHUWING:** Controleer voor elk gebruik of het beschermkapsysteem juist functioneert



**Maak gebruik van een geschikt stofmasker:** *Het gebruik van de machine produceert mogelijk stoffen die kankerverwekkend zijn, kunnen leiden tot aangeboren afwijkingen en andere gezondheidsproblemen. Sommige houtsoorten bevatten koper-chroom arseenzouten (CCA), welke giftig kunnen zijn. Ben extra voorzichtig bij het bewerken van deze houtsoorten. Voorkom inhalering en minimaliseer huidcontact*

- a) Haspels die gebruikt worden met de machine dienen volledig uitgerold te zijn. Minimale aderdikte 1,0 mm<sup>2</sup>
- b) Wanneer de machine buiten gebruikt wordt, sluit u deze op een aardlekschakelaar en een verlengsnoer met 1,5 mm<sup>2</sup> aderdikte en waterbestendige stekkers aan
- c) Zorg ervoor dat bits/bladen juist bevestigd zijn. Onjuist bevestigde bits/bladen kunnen tijdens gebruik losschieten. Dit resulteert mogelijk in persoonlijk letsel
- d) Wacht tot de machine volledig stilstaat voordat u deze neerlegt
- e) Bij het gebruik van de machine is het dragen van de volgende veiligheidsuitrusting verplicht: veiligheidsbril, gehoorbescherming en beschermende kleding. Wanneer de machine stof produceert is het dragen van een geschikt stofmasker aanbevolen
- f) Zorg voor voldoende verlichting
- g) Zorg ervoor dat het bit/blad niet in contact staat met het werkstuk voordat u de machine inschakelt
- h) Houdt de machine te allen tijde met beide handen vast
- i) Hulpdrivaten dienen te allen tijde gebruikt te worden, tenzij de handleiding specifiek een uitzondering maakt voor bepaalde werkzaamheden
- j) Oefen niet te veel druk op de machine uit. Dit verkort de levensduur
- k) Bits/bladen worden tijdens gebruik erg heet. Raak bits/bladen niet aan voordat deze volledig afgekoeld zijn
- l) Verwijder zaagsel of vuil dicht bij het bit/blad niet met uw handen
- m) Wanneer u tijdens het gebruik van de machine gestoord wordt, maakt u het werk af en schakelt u de machine uit, voordat u opkijkt
- n) Maak wanneer mogelijk gebruik van klemmen of bankschroeven om het werkstuk vast te zetten
- o) Ontkoppel de stekker van het stopcontact voordat bits/bladen gewisseld worden
- p) Controleer de spankop regelmatig op tekenen van slijtage en/of schade. Beschadigde onderdelen dienen door een gekwalificeerd persoon vervangen te worden
- q) Wanneer het werk voltooid is haalt u de stekker uit het stopcontact
- r) Controleer bouten, moeren en andere bevestigingsmiddelen regelmatig en draai deze wanneer nodig vast

## Snijwerktuig veiligheid

**WAARSCHUWING:** Voordat u de machine op de stroombron aansluit, controleert u of de spanning gelijk is aan de spanning weergegeven op het gegevensplaatje van de laminaatzaag. De aansluiting op een stroombron met een hogere spanning kan resulteren in serieuze verwondingen aan de gebruiker en beschadigingen aan de machine. Een lagere spanning is schadelijk voor de motor. Sluit de machine bij enige twijfel niet aan

### Gebruik het juiste gereedschap

- Zorg ervoor dat uw gereedschap geschikt is voor de klus. Raadpleeg altijd eerst de gebruiksaanwijzing van het product. Neem niet zonder meer aan dat het gereedschap geschikt is

### Bescherm uw ogen

- Draag bij het gebruik van snijwerktuigen altijd geschikte oogbescherming
- Een gewone bril is niet ontworpen om bescherming te bieden bij het gebruik van dit product. Normale lenzen zijn niet schokvast en kunnen versplinteren

### Bescherm uw gehoor

- Draag altijd geschikte gehoorbescherming bij gereedschap dat een geluidsniveau van meer dan 85 dB produceert

### Bescherm uw luchtwegen

- Bij werk waarbij stof vrijkomt, moet altijd een geschikt gezicht- of stofmasker worden gedragen. Wees voorzichtig dat u anderen om u heen niet blootstelt aan stof

### Bescherm uw handen

- Houd uw handen uit de buurt van zaagbladen, snijschijven en boor bits. Bij het werken met kleine werkstukken maakt u gebruik van een duwstok

### Denk aan anderen om u heen

- Het is de verantwoordelijkheid van de gebruiker om ervoor te zorgen dat andere mensen in de nabijheid van het werkgebied niet worden blootgesteld aan gevaarlijk geluid en stof. Zorg ervoor dat alle personen die het nodig hebben voorzien worden van geschikte persoonlijke beschermingsmiddelen

### Verborgen voorwerpen

- Inspecteer het werkstuk en verwijder alle spijkers en andere voorwerpen
- Zaag geen werkstukken met vastzittende voorwerpen, tenzij de machine en het zaagblad hier toe in staat zijn
- Let op voor verborgen voorwerpen. Muren verbergen mogelijk bedradingen en pijpleidingen, autopanelen verbergen mogelijk brandstofleidingen en gras verbergt mogelijk stenen en glas. Controleer het werkstuk grondig voordat u gaat zagen

### Wees voorzichtig met rondvliegend afval

- In sommige gevallen wordt het afval met grote snelheid door het gereedschap opgeworpen. Zorg ervoor dat er geen andere personen in de werkomgeving zijn. Als het nodig is om andere personen dichtbij te hebben, draagt de gebruiker er de verantwoordelijkheid voor dat ze zijn uitgerust met de juiste persoonlijke beschermingsmiddelen.

### Het monteren van zaagbladen

- Zorg ervoor dat de zaagbladen goed zijn aangebracht en vastgezet voordat het gereedschap wordt gebruikt. Stel vast dat steekslutels en andere stelmiddelen vóór gebruik zijn verwijderd.
- Gebruik uitsluitend zaagbladen die zijn aanbevolen voor uw machine.
- Probeer zaaggereedschap niet te wijzigen

### Richting van aanvoer

- Voer het werkstuk uitsluitend aan in het zaagblad of het gereedschap tegen de richting van de beweging van het zaagblad of het gereedschap in.

### Wees voorzichtig met hitte

- Denk er aan dat het zaaggereedschap en de werkstukken tijdens het werk heet kunnen worden. Probeer niet om iets aan te passen voordat het gereedschap helemaal is afgekoeld.

### Beheers afval

- Voorkom een ophoping van zaagsel en spanen. Zaagsel veroorzaakt brandgevaar, en sommige soorten metaalspanen zijn explosief.
- Wees vooral voorzichtig met machines die worden gebruikt voor het zagen van hout en metaal. Venken bij het zagen van metaal veroorzaken vaak brand in stof en zaagsel.
- Gebruik waar mogelijk een stofafvoersysteem om voor een veiligere werkomgeving te zorgen.

# Onderdelenlijst

1. Geleider
2. Vizier
3. Hulphandvat
4. Behuizing
5. Hoofdhandvat
6. Diepte meter vergrendelknop
7. 0-indicator
8. Diepte verstelgeleider
9. Boorgeleider hoek vergrendelknop
10. Hoekgeleider
11. Plaat tanden
12. Voorpaneel
13. Antislip pads
14. Tandstrip
15. Inbussleutel
16. Geleider hoogte verstelknop
17. Geleider hoogte vergrendelknop
18. Hoogteschaal
19. Boor bithouders
20. Retourveer
21. Aan-/uitschakelaar
22. Stofpoort

**Inbegrepen accessoires:** 2 x 8 mm diameter boor bits, inbussleutel en stofadapter

## Gebruiksdoel

Draagbare deувelmaschine, voor het produceren van boorgaten op consistente afstand voor het creëren van houtverbindingen

## Voor gebruik

### Het plaatsen van een boor

**WAARSCHUWING:** De boor bits zijn erg scherp; draag te allen tijde handschoenen.

1. Draai één van de bit houders (19) tot u toegang heeft tot de stelschroef (Afb. A)
2. Draai de schroeven los met behulp van de inbussleutel (15), inbegrepen bij de machine
3. Houdt het boorbit zo dat de platte zijde van de schacht uitlijnt met de stelschroeven
4. Plaats de schacht zover mogelijk in de houder en draai de stelschroeven vast
5. Controleer of het boorbit goed vast zit
6. Herhaal deze stappen met het andere boorbit

### Het op 0 stellen van de dieptemeter

Na het plaatsen van de boorbits is het nodig de diepte meter (8) en de 0-indicator (7) opnieuw in te stellen zodat de diepte verstel geleider de juiste meting weergeeft (Afb. C)

1. Draai de dieptemeter vergrendelknop (6) genoeg los zodat de dieptemeter vrij kan bewegen
2. Plaats een stuk afvalmateriaal tegen het voorpaneel (12) en duw de behuizing (4) voorzichtig voorwaarts tot deze stopt, zodat de snijpunten van de boor bits evenwijdig aan het oppervlak van het voorpaneel liggen. Houd de machine in deze positie vast

**Let op:** De snijpunten liggen mogelijk al erg dicht bij het paneeloppervlak, afhankelijk van de lengte van de boor bits

3. Beweeg de dieptemeter (8) zo ver mogelijk naar achteren en draai de vergrendelknop vast terwijl de positie in stap 2 behouden wordt
4. Draai de 0-indicator (7) wat losser zodat de wijzer op de 0-markering staat en draai de indicator weer vast. De indicator is mogelijk met een schroevendraaier los te draaien, te verstellen en in plaats te drukken. Tevens kan de stofpoort (22) behuizing verwijderd worden door de twee kruiskopschroeven los te draaien en de 0-indicator terug op de juiste plaats te bevestigen

5. Oefen een laatste check uit om er zeker van te zijn dat boor bits evenwijdig aan het voorpaneel liggen wanneer de 0-indicator de 0-markering van de dieptemeter aanwijst. Plaats de stofpoort behuizing wanneer nodig terug

**Let op:** De 0-indicator positie hoeft niet aangepast te worden totdat de boor bits vervangen worden

## Het aansluiten van een stof ontginningsstelsysteem

1. Duw de stof adapter in de stofpoort (22) (Afb. B)
2. Sluit de slang van het opvang systeem aan op de adapter en zorg dat deze goed vast zit.

**LET OP:** De adapter kan geheel versteld worden over de 180° boog naar de bediener.

## Het instellen van de afschuininghoek

De boorgeleider (1) heeft een 90° bereik met snelle instellingspunten op 22,5°, 45° en 67,5°.

Voor het installeren van de juiste hoek:

1. Draai de vergrendelknop (9) los
2. Draai de geleider naar de benodigde hoek met behulp van de verstekgeleider (10) (Afb. D)
3. Draai de blokkeerknop vast zodat de geleider op zijn plaats blijft

**LET OP:** Controleer of de geleider vast zit voordat u begint met boren. Een losse geleider kan resulteren in schade aan het werkstuk of aan de deувelmaschine

**Let op:** De verstekgeleider dient slechts als richtlijn gebruikt te worden. Gebruik hoek meetinstrumenten om de geleider hoek te controleren

## Het gebruiken van het vizier

- De 3 lijnen op het vizier (2) dienen als:
  - De centrale lijn van elke boor
  - De centrale lijn tussen de 2 boren
- Gebruik deze markeringen voor het uitlijnen van de boor met de markeringen op het werkstuk

**LET OP:** De deувelmaschine produceert gaten met een tussenruimte van precies 32 mm, waardoor de machine compatibel is met 'systeem 32' – ideaal voor het creëren van boortrijnen met een gelijke tussenruimte

## Het aanpassen van de boordiepte

- De diepte verstelgeleider (8) maakt het mogelijk een boordiepte van 0-38 mm (Afb. F) in te stellen.
  - Wanneer boren worden verwisseld of wanneer nieuwe boren worden geplaatst horen de diepte meter (8) en 0-indicator (7) op nul gesteld te worden. Zie: 'HET OP 0 STELLEN VAN DE DIEPTEMETER'.
  - Gebruik de schaal op de meter voor het instellen van de juiste diepte.
1. Draai de dieptemeter vergrendelknop (6) losser zodat de dieptemeter heen en weer kan glijden.
  2. Positioneer de meter zo dat de benodigde diepte (op de schaal) is uitgelijnd met de centrale wijzer op de 0-indicator (7)
  3. Draai de blokkeerknop vast zodat de verstelgeleider in positie blijft. Dit limiteert de beweging van de machine en daarvoor de boordiepte op de door u ingestelde maximale waarde

## Het aanpassen van de boor hoogte

De tandstrip en het boorgeleider hoogte-verstelmechanismen maken het mogelijk de boorhoogte te verstellen tussen 9 mm en 43 mm (Afb. G)

1. Draai de boorgeleider hoogte vergrendelschroef (17) los.
2. Roteer de boorgeleider hoogte verstelknop (16) voor het verhogen of verlagen van de boorgeleider.
3. Lijn de zwarte pijl op het hoogte verstelmechanisme uit met de benodigde hoogte op de aangrenzende hoogteschaal (18).
4. Draai de hoogte blokkeerschroef vast zodat de boorgeleider op de gestelde hoogte blijft.

# Gebruik

**BELANGRIJK:** Gebruik te allen tijde 2 handen bij het boren. Houdt de behuizing van de deuvelmachine (4) in één hand vast, met een vinger comfortabel op de aan-/uitschakelaar (21) rustend en houd het handvat (3) met de andere hand vast

## In en uitschakelen

- Om de deuvelmachine in te schakelen knijpt u de aan-/uitschakelaar (21) in
- Laat de schakelaar los om de machine uit te schakelen

### Opmerkingen:

- Om gaten in werkstukken te boren hoort u de deuvelmachine allereerst in te stellen met behulp van de 'Voor gebruik' instructies en markeert u de boorpunten met potlood op het werkstuk
  - Het is belangrijk het werkstuk nauwkeurig te markeren. Het is mogelijk gemakkelijk de 2 delen in exact de juiste positie samen te brengen, de markeringen met potlood aan te brengen en de gaten te boren. De ideale positie voor de eerste twee boorgaten is in het midden van het hout
  - Bij het maken van deuvolverbindingen is er een kleine marge. Nauwkeurige metingen zijn dus erg belangrijk. De belangrijkste boorgaten zijn normaal gesproken die aan de rand van het werkstuk. Enige positioneringsfouten worden het beste gemaakt in het midden waar extra gaten geboord kunnen worden
  - Het werkstuk hoort op de werkbank vastgeklemd te worden (Het gebruik van een anti-slip mat is tevens mogelijk)
1. Houd de behuizing van de deuvelmachine in één hand vast, met een vinger comfortabel op de aan-/uitschakelaar (2)
  2. Lijn de lijnen op het vizier (2) uit met de markeringen op het werkstuk en positioneer de machine voor het boren van de gaten (Afb. H)
  3. Duw de machine stevig tegen het werkstuk aan zodat het voorpaneel (10) en de onderzijde van de boorgeleider (1) beiden volledig in contact komen met het werkstuk
  4. Duw met de vingers van de andere hand op de voorste rand van de boorgeleider om de machine stabiel in positie te houden en controleer op tussenruimtes onder het voorpaneel of de geleider. Plaats uw hand terug op het handvat (3) zodat de machine stevig vastgehouden wordt

**Let op:** Het is mogelijk nodig druk op de geleider (1) uit te oefenen (Afb. H) in plaats van het hulphandvat (3) vast te houden, zeker wanneer de pinnen onder het voorpaneeloppervlak vallen

**Let op:** Bij het gebruik van een anti-slip mat is het uitoefenen van druk een aan te raden, zodat het werkstuk tijdens het boren niet beweegt. Doe dit alleen wanneer de machine comfortabel met één hand aan de behuizing vastgehouden kan worden. Ideaal gezien wordt het werkstuk op de werkbank vast geklemd zodat u beide handen vrij hebt voor het hanteren van de machine

5. Knijp de trekker schakelaar in een vloeiende beweging in om de motor te starten en duw de behuizing van de machine voorwaarts zodat de boor bits het werkstuk ingaan (Afb. I)
6. Duw de behuizing van de machine zo ver mogelijk naar voren tot de dieptestop ingrijpt en de juiste diepte verkregen wordt
7. Houdt de motor draaiende en laat de behuizing terug naar de beginpositie schuiven waardoor de boor bits het werkstuk uitkomen. Houdt de machine hierbij stevig vast
8. Wanneer de boor bits volledig uit het werkstuk gekomen zijn laat u de trekker schakelaar los

**Let op:** Door de veer druk zal de machine automatisch terug bewegen naar de ruststand en de boren uit het werkstuk trekken. De gebruiker hoort deze beweging onder controle te houden door de machine in exact dezelfde positie te houden als bij het boren van de gaten

9. Wanneer de boren vrij zijn en volledig tot stilstand zijn gekomen haalt u de machine van het werkstuk

**Let op:** Het is aan te raden met de machine op afvalmateriaal te oefenen om volledig vertrouwd te raken met de gebruikswijze

## Positionering

- Om bijbehorende gaten in het verbindingsstuk te boren hoort de machine loodrecht tegen het verbindingsoppervlak gehouden te worden (Afb. J)
- Het is aan te raden naar beneden te boren waar het gewicht van de machine met de boorrichting mee werkt. Wanneer naar boven geboord wordt zal dit meer kracht kosten waar het gewicht van de machine tegenwerkt.
- Wanneer te ver van de rand geboord moet worden, stelt u het voorpaneel en de geleider evenwijdig aan elkaar. De machine kan nu verticaal op een oppervlak rusten en vrij over oppervlakken gepositioneerd worden – zelfs op grote werkstukken (Afb. K). Zorg ervoor dat de machine stevig gepositioneerd is voordat u met het boren begint

## Het gebruik van een mal of sjabloon

De machine is voorzien van plaatstanden (11) en een tandstrip (14), welke het snel boren van gaten met gebruik van een deuvemal (niet inbegrepen) mogelijk maken

- Het gebruik van een mal versneld het proces en is ideaal voor het creëren van plankgaten op regelmatige afstanden

1. Klem de mal in de exacte positie op het werkstuk
2. Stel de deuvelmachine voor het gebruik met de tandstrip (14) of de plaatstanden (11) met de deuvemal in

**Let op:** Zorg voor de juiste boordiepte, geleider hoek en geleider hoogte

3. Boor de gaten door de plaatstanden van de machine in de tandgleuven van de deuvemal te steken en gebruik de machine als normaal

**Let op:** Het gebruik van een mal is ideaal wanneer de machine is ingesteld voor vrije positionering met de geleider en voorpaneel evenwijdig aan elkaar

**Let op:** Deuvelmalen zijn op de markt verkrijgbaar en tevens zelf te fabriceren

## Andere verbindingen

**Let op:** De veelzijdigheid van de machine gaat verder dan beschreven in deze handleiding. De handleiding dient als introductie voor haar eigenschappen en gebruik

## Accessoires

- Verschillende accessoires en verbruiksmiddelen zijn verkrijgbaar bij uw Triton handelaar. Reserve onderdelen zijn verkrijgbaar op [toolsparsonline.com](http://toolsparsonline.com)

## Onderhoud



**WAARSCHUWING:** De machine hoort te allen tijde uitgeschakeld te zijn voordat u enige aanpassingen maakt en/of onderhoud uitvoert

- Controleer het stroom snoer voor elk gebruik op slijtage en beschadiging. Dit geldt tevens voor gebruikte verlengsnoeren
- Het stroom snoer dient door de fabrikant vervangen te worden om veiligheidsgevaaren te voorkomen

## Algemene inspectie

- Controleer de bouten en moeren regelmatig waar deze door de vibratie tijdens het gebruik van de machine kunnen losraken
- Controleer het stroom snoer voor elk gebruik op schade. Reparaties dienen uitgevoerd te worden bij een Triton service center. Dit geldt tevens voor verlengsnoeren die gebruikt worden met de machine

## Smeren

- Smeer alle bewegende onderdelen regelmatig met een geschikt smeermiddel

## Schoonmaak

**WAARSCHUWING:** Bij het schoonmaken van de eenheid is het dragen van de juiste beschermende uitrusting, waaronder een veiligheidsbril en handschoenen, aanbevolen

- Houd uw machine te allen tijde schoon. Vuil en stof doen de interne onderdelen sneller slijten, wat de levensduur van de machine aanzienlijk vermindert
- Maak de behuizing van de machine met een zachte borstel of droge doek schoon
- Maak de plastic onderdelen niet met bijtende middelen schoon. Maak gebruik van een licht schoonmaakmiddel en een vochtige doek
- De machine mag niet in contact komen met water
- Zorg ervoor dat de machine volledig droog is voordat u deze gebruikt
- Gebruik wanneer mogelijk zuivere, droge perslucht om door de luchtgaten te blazen

## Koolborstels

- Na verloop van tijd zullen de koolborstel in de machine verslijten.
- Overmatig versleten borstels leiden tot krachtverlies in de motor, intermitterende storing of zichtbaar vonken
- Om de borstels te vervangen verwijdt u de toegangsdoppen aan beide zijden van de machine en haalt u de borstels uit de machine. Plaats de nieuwe borstels in de machine en druk de toegangsdoppen terug in de behuizing. Vervangingsborstels zijn verkrijgbaar bij uw Triton handelaar. Als alternatief laat u de borstels bij een Triton service center vervangen

# Verwijdering

Bij de verwijdering van elektrische machines neemt u de nationale voorschriften in acht.

- Elektrische en elektronische apparaten en accu's mogen niet met uw huishoudelijk afval worden weggegooid
- Neem contact op met uw gemeente voor informatie betreffende de verwijdering van elektrisch gereedschap

## Garantie

Om uw garantie te registreren, gaat u naar onze website op [www.tritontools.com](http://www.tritontools.com)\* en voert u uw gegevens in.

Uw gegevens worden opgeslagen in onze mailinglist (tenzij u anders aangeeft) voor informatie over nieuwe producten. De ingevulde gegevens worden aan geen enkele andere partij beschikbaar gesteld.

## Aankoopgegevens

Datum van aankoop: \_\_\_/\_\_\_/\_\_\_

Model: TDJ600

Bewaar uw aankoopbon als aankoopbewijs rt pr

## EG-verklaring van overeenstemming

De ondergetekende: Mr. Darrell Morris

Gemachtigd door: Triton Tools

Verklaart dat

Identificatienummer: 186171

Beschrijving: Deuvelmachine

Voldoet aan de volgende richtlijnen:

- Machinerichtlijn 2006/42/EG
- Richtlijn laagspanning 2006/95/EG
- Elektromagnetische verenigbaarheid 2014/108/EG
- RoHS-richtlijn 2011/65/EU
- EN60745-2-19:2005+A1:2010
- EN60745-1:2009+A11:2010
- EN55014-1:2009+A2:2011
- EN55014-2:1997+A2:2008
- EN61000-3-2:2014
- EN61000-3-3:2013 • EN62321:2009

Triton Precision Power Tools garandeert de koper van dit product dat indien een onderdeel defect is vanwege fouten in materiaal of uitvoering binnen 3 jaar na de datum van de oorspronkelijke aankoop,

Triton het defecte onderdeel gratis repareert of, naar eigen inzicht, vervangt.

Deze garantie heeft geen betrekking op commercieel gebruik en strekt zich niet uit tot normale slijtage of schade ten gevolge van een ongeluk, verkeerd gebruik of misbruik.

\* Registreer online binnen 30 dagen.

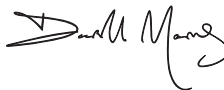
Algemene voorwaarden van toepassing.

Keuringsinstantie: TÜV SÜD Product Service

De technische documentatie wordt bijgehouden door: Triton Tools

Datum: 05-05-2015

Handtekening:



Darrell Morris

Algemeen directeur

Naam en adres van fabrikant:

Powerbox International Limited, handelsregister nummer 06897059. Powerbox, Boundary Way, Lufton Trading Estate, Yeovil, Somerset BA22 8HZ, Verenigd Koninkrijk

# Traduction des instructions originales

## Introduction

Nous vous remercions d'avoir choisi cet équipement Triton. Ces instructions contiennent les informations nécessaires pour vous en garantir un fonctionnement efficace et en toute sécurité. Veuillez lire attentivement ce manuel pour vous assurer de tirer pleinement avantage des caractéristiques uniques de votre nouvel équipement.

Gardez ce manuel à portée de main et assurez-vous que tous les utilisateurs l'aient lu et bien compris avant toute utilisation. Conservez-le pour toute référence ultérieure.

## Description des symboles

La plaque signalétique figurant sur votre outil peut présenter des symboles. Ces symboles constituent des informations importantes relatives au produit ou des instructions concernant son utilisation.



Port de protection auditive  
Port de lunettes de sécurité  
Port du masque respiratoire  
Port du casque



Port de gants



Lire le manuel d'instructions



**Attention** : lames ou dents coupantes !



NE PAS utiliser sous la pluie ou dans un environnement humide !



Débranchez toujours l'appareil avant d'effectuer un réglage, changer d'accessoire, de le nettoyer, de l'entretenir, ou lorsqu'il n'est plus utilisé.



**ATTENTION** : les pièces mobiles peuvent engendrer des écrasements et des coupures.



Attention !



Double isolation pour une protection supplémentaire



**Protection de l'environnement**  
Les produits électriques usagés ne doivent pas être jetés avec les ordures ménagères. Veuillez les recycler dans les centres prévus à cet effet. Pour de plus amples informations, veuillez contacter votre municipalité ou point de vente.



Conforme à la réglementation et aux normes européennes de sécurité pertinentes

## Légende

<b>V</b>	Volts
<b>~, AC</b>	Courant alternatif
<b>A, mA</b>	Ampère, milliampère
<b>n<sub>0</sub></b>	Vitesse à vide
<b>n</b>	Vitesse nominale
<b>A<sub>h</sub></b>	Ampère/heure (capacité de la batterie)
<b>°</b>	Degrés
<b>Ø</b>	Diamètre
<b>Hz</b>	Hertz
<b>, DC</b>	Courant continu
<b><u>W, kW</u></b>	Watt, kilowatt
<b>/min or min<sup>-1</sup></b>	Opérations par minute
<b>λ</b>	Longueur d'onde
<b>dB(A)</b>	Puissance acoustique en décibel (A pondéré)
<b>m/s<sup>2</sup></b>	Mètres par seconde au carré (magnitude des vibrations)

## Caractéristiques techniques

<b>Numéro de produit :</b>	TDJ600
<b>Tension :</b>	220-240V~ 50/60 Hz
<b>Puissance d'entrée :</b>	710 W
<b>Vitesse à vide :</b>	17 000 tr/min
<b>Écart entre les forets :</b>	32 mm (1-1/4")
<b>Profondeur de perçage:</b>	0-38 mm (0 - 1-1/2")
<b>Diamètre du foret :</b>	Ø6-10 mm
<b>Plage d'angles d'inclinaison :</b>	0-90°
<b>Réglage de la hauteur :</b>	9-43 mm (23/64" - 1-11/16")
<b>Classe de protection :</b>	
<b>Longueur du câble d'alimentation :</b>	3 m (9' 10")
<b>Dimensions (L x l x H) :</b>	470 x 155 x 220 mm (18-1/2 x 6 x 8-5/8")
<b>Poids net :</b>	2,8 kg (6.2 lbs)

Du fait de l'évolution constante de nos produits, les caractéristiques des produits Triton peuvent changer sans notification préalable.

Les mesures impériales sont approximatives.

### Informations sur le niveau d'intensité sonore et vibratoire:

<b>Pression acoustique :</b>	88,4 dB (A)
<b>Puissance acoustique :</b>	99,4 dB (A)
<b>Incertitude :</b>	3 dB
<b>Vibration pondérée :</b>	2,584 m/s <sup>2</sup>
<b>Incertitude :</b>	1,5 m/s <sup>2</sup>

Le niveau d'intensité sonore pour l'utilisateur peut dépasser 85 dB (A), et des mesures de protection sonore sont peut-être nécessaires.



**Attention :** Portez toujours des protections sonores lorsque le niveau d'intensité est supérieur à 85 dB(A) et limitez le temps d'exposition si nécessaire. Si l'intensité sonore devient incomfortable, même avec les protections, arrêtez immédiatement d'utiliser l'appareil, vérifiez que les protections sont bien en places et adaptés avec le niveau sonore produit par l'appareil.

**Attention :** L'exposition de l'utilisateur aux vibrations peut engendrer une perte du toucher, des engourdissements, des picotements et ainsi réduire la capacité de préhension. De longues expositions peuvent également provoquer ces symptômes de façon chronique. Si nécessaire, limitez le temps d'exposition aux vibrations et portez des gants anti-vibrations. N'utilisez pas cet appareil lorsque la température de vos mains est en dessous des températures normales, car l'effet vibratoire en est accentué. Référez-vous au cas de figures des caractéristiques relatives aux vibrations pour calculer le temps et fréquence d'utilisation de l'appareil.

Les niveaux sonores et vibratoires des caractéristiques techniques sont déterminés en fonction de la norme EN60745 ou autres normes internationales. Ces données correspondent à un usage normale de l'appareil, et ce dans des conditions de travail normales. Un appareil mal entretenu, mal assemblé ou mal utilisé peut augmenter les niveaux sonores et vibratoires. Pour plus d'informations sur la directive des émissions sonores et vibratoires, visitez le site <http://osha.europa.eu/fr>.

## Consignes de sécurité

**AVERTISSEMENT :** Veuillez lire toutes les consignes de sécurité et toutes les instructions. Le non-respect des instructions et consignes de sécurité peut entraîner un risque de décharge électrique, d'incendie et/ou se traduire par des blessures graves.

**AVERTISSEMENT :** Cet appareil n'est pas prévu pour être utilisé par des personnes (enfants y compris) ayant des capacités mentales ou physiques réduites ou manquant d'expérience à moins qu'ils soient supervisés ou qu'une personne responsable de leur sécurité leur donne des instructions concernant l'utilisation de cet appareil.

Veuillez conserver ces instructions et consignes de sécurité pour référence ultérieure.

Le terme « outil électrique » dans ces consignes concerne les outils branchés (filaires) ou à batteries (électroportatifs).

### 1. Sécurité sur la zone de travail

- Maintenir une zone de travail propre et bien éclairée. Des zones encombrées et mal éclairées sont sources d'accidents.
- Ne pas utiliser d'outils électriques dans des environnements explosifs, tels qu'à proximité de liquides, de gaz ou de poussières inflammables. Les outils électriques produisent des étincelles susceptibles d'enflammer la poussière ou les vapeurs présentes.
- Éloigner les enfants et les passants pendant l'utilisation d'un outil électrique. Ceux-ci pourraient vous distraire et vous faire perdre la maîtrise de l'appareil.

### 2. Sécurité électrique

- Les prises des outils électriques doivent correspondre aux prises du secteur. Ne modifiez jamais la prise en aucune façon. N'utilisez jamais d'adaptateur avec les outils électriques mis à la terre. Des prises non modifiées, adaptées aux boîtiers de prise de courant, réduiront les risques de décharge électrique.
- Éviter le contact corporel avec les surfaces mises à la terre telles que tuyaux, radiateurs, cuisinières et réfrigérateurs. Le risque de décharge électrique est plus important si votre corps est mis à la terre.
- Ne pas exposer votre outil électrique à la pluie ou à l'humidité. L'infiltration d'eau dans un outil électrique augmentera le risque de décharge électrique.
- Ne pas maltraiter le cordon électrique. N'utilisez jamais le cordon électrique pour porter, tirer ou débrancher l'outil électrique. Conservez le cordon électrique à l'écart de la chaleur, de l'essence, de bords tranchants ou de pièces en mouvement. Un cordon électrique endommagé ou entortillé accroît le risque de décharge électrique.
- Au cas où l'outil électroportatif serait utilisé à l'extérieur, servez-vous d'une rallonge appropriée à une utilisation en extérieur. Cela réduit le risque de décharge électrique.
- Si une utilisation de l'outil dans un environnement humide ne peut être évitée, utilisez une alimentation protégée par un disjoncteur différentiel. L'utilisation d'un disjoncteur différentiel réduit le risque de décharge électrique.
- Lorsqu'il est utilisé en Australie ou en Nouvelle Zélande, il est recommandé que cet appareil soit toujours alimenté via un disjoncteur différentiel ayant un courant résiduel de 30 mA ou moins.

### 3. Sécurité des personnes

- Restez vigilant et faire preuve de sens lors de la manipulation de l'outil. Ne pas utiliser d'outil électrique en état de fatigue ou sous l'influence de drogues, d'alcool ou de médicaments. Un moment d'inattention pendant l'utilisation d'un outil électrique peut se traduire par des blessures graves.

- Porter des équipements de protection. Porter toujours des lunettes de protection. Le port d'équipements de protection tels que des masques à poussières, des chaussures de sécurité antidérapantes, un casque de sécurité ou des protections antibruit, selon le travail à effectuer, réduira le risque de blessures aux personnes.
- Éviter tout démarrage accidentel. S'assurer que l'interrupteur marche-arrêt soit en position d'arrêt (Off) avant de brancher l'outil sur l'alimentation secteur. Porter un outil électrique tout en maintenant le doigt posé sur l'interrupteur ou brancher un outil électrique dont l'interrupteur est sur la position de marche (On) est source d'accidents.
- Enlever toute clé ou tout instrument de réglage avant de mettre l'outil électrique en marche. Une clé ou un instrument de réglage laissé fixé à un élément en rotation de l'outil électrique peut entraîner des blessures physiques.
- Ne pas essayer d'atteindre une zone hors de portée. Se tenir toujours en position stable et conserver l'équilibre. Cela permet de mieux contrôler l'outil électrique dans des situations inattendues.
- Porter des vêtements appropriés. Ne pas porter de vêtements amples ou des bijoux pendants. Les vêtements amples, les bijoux pendants ou les cheveux longs peuvent être happés par les pièces en mouvement.
- Si l'outil est pourvu de dispositifs destinés au raccord d'équipements d'extraction et de récupération de la poussière/sciure, s'assurer qu'ils soient bien fixés et utilisés correctement. L'utilisation de ces dispositifs peut réduire les risques dus à la poussière.

### 4. Utilisation et entretien des outils électriques

- Ne pas surcharger l'outil électrique. Utiliser l'outil électrique approprié au travail à effectuer. Un outil électrique adapté et employé au rythme pour lequel il a été conçu permettra de réaliser un travail de meilleure qualité et dans de meilleures conditions de sécurité.
  - Ne pas utiliser un outil électrique dont l'interrupteur marche-arrêt est hors service. Tout outil électrique dont la commande ne s'effectue plus par l'interrupteur marche-arrêt est dangereux et doit être réparé.
  - Débrancher l'outil électrique avant d'effectuer tout réglage, changement d'accessoire ou avant de le ranger. De telles mesures préventives réduiront les risques de démarrage accidentel.
  - Ranger les outils électriques inutilisés hors de portée des enfants et ne pas permettre l'utilisation de ces outils aux personnes novices ou n'ayant pas connaissance de ces instructions. Les outils électriques sont dangereux dans les mains d'utilisateurs inexpérimentés.
  - Veiller à l'entretien des outils électriques. Vérifier que les éléments rotatifs sont bien alignés et non grippés. S'assurer de l'absence de pièces cassées ou endommagées susceptibles de nuire au bon fonctionnement de l'outil. Si l'outil électrique est endommagé, le faire réparer avant toute utilisation. De nombreux accidents sont causés par l'utilisation d'outils électriques mal entretenus.
  - Garder les outils de coupe affûtés et propres. Des outils de coupe bien entretenus, aux tranchants bien affûtés, sont moins susceptibles de se gripper et sont plus faciles à contrôler.
  - Utiliser l'outil électrique, les accessoires et les outils à monter, etc., conformément à ces instructions et selon l'utilisation prévue pour le type d'outil donné, en tenant compte des conditions de travail et de la tâche à réaliser. Toute utilisation de cet outil électrique autre que celle pour laquelle il a été conçu peut entraîner des situations à risque et entraînerait une annulation de sa garantie.
5. Entretien
- Ne faire réparer l'outil électrique que par un réparateur qualifié utilisant uniquement des pièces de rechange identiques. Cela permettra d'assurer la sûreté continue de cet outil électrique.

## Consignes de sécurité supplémentaires pour les chevilleuses



ATTENTION !

- Les forets ou les lames des chevilleuses-tourillonneses doivent avoir une vitesse nominale correspondant à celle recommandée dans les caractéristiques de cet outil. Des lames ou forets utilisés au-delà de leur vitesse nominale peuvent éclater et causer des blessures.
- Utilisez toujours les gardes et dispositifs de sécurité de l'outil. Ils protègent l'utilisateur des fragments de forets ou lames et de contacts accidentels avec les accessoires de coupe.

- **Tenez l'outil par ses surfaces de préhension isolantes lorsqu'il y a un risque de mises en contact entre l'outil de coupe et son cordon d'alimentation.** *Un contact entre un fil sous tension et les parties métalliques de l'outil entraînera une mise sous tension des parties métalliques de l'outil et peut entraîner un risque de choc électrique pour l'utilisateur.*
- **Ne laissez pas les personnes de moins de 18 ans utiliser cet outil.** *Assurez-vous que l'utilisateur est familier avec ces instructions de sécurité et d'utilisation.*
- **S'il est nécessaire de remplacer le cordon d'alimentation, cela doit être fait par le fabricant ou un de ses agents agréés pour éviter tout danger.**
- **Il est fortement recommandé d'alimenter l'outil à travers un disjoncteur différentiel (RCD) dont le courant résiduel nominale est de 30 mA ou moins.**

**ATTENTION** : N'utilisez jamais de forêts émoussées ou endommagées.

**ATTENTION** : Vérifiez que le système de carter de protection rétractable fonctionne correctement.



**Utilisez une protection respiratoire appropriée.** *L'utilisation de cet outil peut générer de la poussière contenant des produits chimiques pouvant causer des cancers, malformations congénitales ou d'autres anomalies de la reproduction. Certains bois contiennent des agents de conservation tels que l'arséniate de cuivre et de chrome (CCA) pouvant être toxiques. Lors du ponçage, du perçage et des coupes de ces matériaux des précautions supplémentaires doivent être prises pour éviter l'inhalation et minimiser le contact avec la peau.*

- Toute rallonge électrique sur dévidoir éventuellement utilisée avec cet appareil doit être totalement dévidée. La rallonge doit présenter un câble de section transversale d'au moins 1 mm<sup>2</sup>.
- Lors de l'utilisation de cet outil en extérieur, utilisez un disjoncteur différentiel (RCD) et une rallonge de section transversale d'au moins 1,5 mm<sup>2</sup> ainsi que des prises électriques d'extérieur en bon état.
- Assurez-vous que les forêts ou lames sont bien fixés dans le mandrin avant utilisation. Les forêts ou lames mal insérées peuvent être éjectés de la machine et représentent un danger.
- Attendez toujours que la machine soit parvenue à un arrêt complet avant de la déposer.
- Lors de l'utilisation de cet outil, utilisez un équipement de sécurité comprenant des protections oculaires ou un masque, des protections auditives et des vêtements de sécurité ainsi que des gants. Portez une protection respiratoire lorsque le travail produit de la poussière.
- Assurez-vous que l'éclairage est adapté.
- Assurez-vous que l'outil de coupe n'est pas en contact avec la pièce avant le démarrage de l'outil.
- Tenez l'outil à deux mains.
- Installez toujours la poignée auxiliaire fournie avec l'outil à moins que les instructions indiquent des exceptions pour certaines tâches
- N'appliquez pas de pression sur l'outil, cela diminuera sa durée de vie.
- Les forêts ou lames deviennent chauds lors de leur utilisation, laissez-les refroidir avant de les manipuler.
- N'enlevez jamais la sciure ou les copeaux situés près de la lame ou du forêt à la main.
- Si vous êtes interrompu lorsque vous utilisez l'outil, terminez ce que vous êtes en train de faire avant de détourner votre attention.
- Lorsque cela est possible, utilisez des serre-joints ou un étai pour maintenir votre ouvrage.
- Débranchez toujours l'outil avant de changer l'accessoire de coupe.
- Examinez l'état du support du forêt ou de la lame régulièrement. Les pièces endommagées doivent être réparées dans un centre technique agréé.
- Lorsque vous avez terminé, débranchez l'outil de sa source d'alimentation.
- Vérifiez régulièrement les vis et écrous ou autre, resserrez si nécessaire.

## Consignes de sécurité relatives aux outils de coupe

**AVERTISSEMENT** : avant de brancher l'outil sur l'alimentation de secteur, vérifiez bien que la tension d'alimentation soit la même que celle indiquée sur la plaque signalétique de l'outil. Une alimentation électrique dont la tension est supérieure à celle indiquée sur l'outil risque d'entraîner des blessures chez l'utilisateur et des dommages sur l'outil. En cas de doute, ne branchez pas l'outil. L'utilisation d'une source de courant dont la tension est inférieure à celle indiquée sur l'outil peut endommager le moteur

### Utilisation du bon outil de coupe

- Assurez-vous que votre outil de coupe convient au travail entrepris. Référez-vous toujours à la notice d'utilisation, ne présumez pas qu'un outil est approprié à la tâche sans faire de vérification préalable.

### Protection oculaire

- Portez toujours des protections oculaires appropriées lors de l'utilisation d'outils de coupe.
- Les lunettes ordinaires n'ont pas pour fonction de fournir une protection efficace à l'utilisation de ce produit. Des verres normaux ne résistent pas aux impacts et pourraient éclater.

### Protection auditive

- Portez toujours des protections auditives appropriées lorsque le niveau sonore dépasse 85 dB.

### Protection respiratoire

- Assurez-vous de porter, ainsi que toute personne à proximité, un masque antipoussière approprié.

### Protection des mains

- Ne placez pas vos mains près des accessoires de coupe. Utilisez un bâton poussoir adapté pour les petites pièces à travailler avec l'outil électroportatif adapté.

### Tenez compte des personnes autour de vous

- Il relève de l'utilisateur de s'assurer que les personnes se trouvant à proximité de la zone de travail ne soient pas exposées à des niveaux sonores dangereux ou à des concentrations de poussières dangereuses et qu'ils disposent de protections appropriées.

### Objets cachés

- Avant d'effectuer une coupe, vérifiez qu'aucun corps étranger ne se trouve dans la pièce de travail.
- Ne coupez aucun matériau comportant des corps étrangers à moins d'être certain que l'accessoire installé sur votre appareil convient à ce travail.
- Des fils électriques et des tuyaux peuvent être dissimulés dans les murs, des durites de carburant peuvent être dissimulées dans les panneaux de carrosserie et l'herbe haute peut dissimuler des pierres et du verre. Vérifiez toujours minutieusement la zone de travail avant de commencer la coupe.

### Attention aux projections de débris

- Dans certains cas, des débris peuvent être projetés de l'outil de coupe à grande vitesse. Assurez-vous qu'aucune autre personne ne se trouve à proximité de la zone de travail. Si la présence d'autres personnes à proximité de la zone de travail est nécessaire, l'utilisateur a la responsabilité de s'assurer qu'elles sont munies d'équipements de protection appropriés.

### Sens de coupe

- Faites avancer la pièce de travail vers la lame ou la fraise, et ce dans le sens inverse au sens de la lame ou de la fraise.

### Attention à la chaleur

- Sachez que les outils de coupe ainsi que les pièces de travail peuvent chauffer pendant l'utilisation de l'appareil. Ne tentez pas de changer d'accessoire tant que l'appareil n'a pas complètement refroidi.

### Contrôle poussière/copeaux

- Ne laissez pas la poussière ou les copeaux de métal s'accumuler. La sciure constitue un risque d'incendie et certains copeaux métalliques sont explosifs.

- Faites particulièrement attention lors de la coupe du bois ou du métal à l'aide de machines électriques. Les étincelles provoquées par la coupe du métal sont une cause courante d'incendie des poussières de bois.
- Lorsque cela est possible, utilisez un système d'extraction de la poussière pour assurer un environnement de travail plus sûr.

## Nomenclature

1. Guide de perçage
2. Fenêtre
3. Poignée auxiliaire
4. Corps de la machine
5. Poignée principale
6. Molette de fixation de butée de profondeur
7. Zéro de référence
8. Butée de profondeur graduée
9. Molette de fixation d'inclinaison du guide de perçage
10. Glissière de réglage d'inclinaison
11. Peigne
12. Semelle frontale
13. Broches antidérapantes
14. Peigne du guide de perçage
15. Clé 6 pans
16. Molette de réglage de la hauteur du guide
17. Molette de fixation de la hauteur du guide
18. Échelle de hauteur
19. Porte-forets
20. Ressort
21. Interrupteur de marche/arrêt
22. Tubulure d'extraction de la poussière

**Accessoires fournis** : Deux forets de 8 mm de diamètre (2x 3/8"), clé six-pans et un adaptateur pour la tubulure d'extraction

## Usage conforme

Chevilleuse électrique à main pour produire des trous d'assemblage régulièrement espacés et créer des assemblages en bois.

## Avant utilisation

### Installation des forets

**AVERTISSEMENT** : Les forets sont très coupants ; portez toujours des gants et manipulez-les avec prudence.

1. Faites tourner l'un des porte-forets (19) pour permettre un accès facile à la vis de fixation située sur son extérieur.
2. Dévissez la vis à l'aide de la clé mâle (25) fournie (Image A).
3. Tenez le foret de sorte que la section plate de sa tige puisse venir dans l'alignement de la vis de fixation.
4. Insérez la tige à fond dans le porte-foret et serrez la vis de fixation pour l'y fixer.
5. Vérifiez que le foret soit bien fixé.
6. Recommencez cette procédure pour l'autre foret.

### Mise à zéro de la butée de profondeur

Une fois les forets installés, il est nécessaire de réinitialiser la butée de profondeur (8) de sorte que le guide de réglage de la profondeur offre un relevé correct avec le zéro de relevé (7) (Image C).

1. Dévissez la molette de fixation de butée de profondeur de sorte qu'elle puisse se déplacer librement
2. Placez le bord inférieur de la semelle frontale (10) contre une surface rigide et poussez sur l'appareil pour faire ressortir la pointe des forets au même niveau exactement que la surface de la semelle frontale.

**Remarque** : Selon le foret utilisé, il se peut qu'il n'y ait seulement besoin de pousser le corps légèrement pour que le foret soit de niveau avec la semelle frontale.

3. Déplacez la butée de profondeur (8) aussi loin que possible de la semelle frontale, et resserrez la molette de fixation toujours en restant dans la position décrite dans l'étape précédente.
4. Desserrez et tournez le zéro de référence pour qu'il coïncide avec le zéro de la butée de profondeur puis resserrez.
5. Vérifiez bien que les forets sont toujours de niveau avec la semelle frontale.

**Remarque** : Une fois effectué, il n'y a pas besoin de recommencer cette opération, sauf si vous changez de forets

Raccordement d'un système d'extraction de la poussière

1. Insérez l'adaptateur d'extraction dans la tubulure d'extraction de la poussière (22), Image B.
2. Installez le tuyau du système d'extraction de la poussière (aspirateur par exemple) dans l'adaptateur d'extraction et assurez-vous que le tuyau tiennent bien.

**Remarque** : l'adaptateur peut s'installer selon tout angle dans la plage des 180° par rapport à l'utilisateur.

### Réglage de l'angle d'inclinaison

Le guide de perçage (1) présente un arc d'inclinaison de 90°, avec des crans prédéfinis à 22,5°, 45° et 67,5°.

Pour régler l'angle souhaité :

1. Dévissez le bouton de fixation d'inclinaison du guide de perçage (9).
2. Faites pivoter le guide de perçage sur le réglage angulaire voulu en vous aidant des marques présentes sur la glissière de réglage d'inclinaison (10) (Image D).
3. Resserrez le bouton de fixation d'inclinaison du guide de perçage pour fixer le guide de perçage.

**Remarque** : Vérifiez que le guide de perçage soit bien fixé avant de commencer à percer, dans le cas contraire, vous risquez d'endommager la pièce à percer ou la machine s'il bouge pendant l'usage.

### Utilisation de la fenêtre en plexiglas

- Les trois lignes présentes sur la fenêtre (2) représentent :
  - l'axe central de chaque foret, et
  - l'axe central entre les deux forets.
- Ces repères vous serviront à aligner avec précision le foret et les repères que vous aurez préalablement tracés sur la pièce à percer (Image G).

**Remarque** : La chevilleuse électrique Triton permet de produire des trous situés à exactement 32 mm d'écart (centre à centre), ce qui la rend compatible avec le « système 32 » utilisé en menuiserie et la rend idéale à la création de rangées de trous de fixation et d'assemblage.

### Réglage de la profondeur de perçage

- La butée de profondeur graduée (8) permet de régler la profondeur de perçage entre 0 et 38 mm (Image F) (0 - 1-1/2").
  - À chaque nouvelle installation de forets, il est nécessaire de remettre la butée de profondeur (8) et le zéro de référence (7) à zéro. Pour cela, suivez les indications données dans le paragraphe « Mise à zéro de la butée de profondeur ».
  - Réglez la profondeur requise en vous servant des graduations.
1. Dévissez la molette de fixation de butée de profondeur de sorte qu'elle puisse se déplacer librement.
  2. Positionnez la butée à la profondeur voulue en alignant avec la flèche du zéro de référence (7).
  3. Resserrez la molette de fixation de la butée pour sécuriser sa position à la profondeur voulue.

### Réglage de la hauteur de perçage

Le mécanisme à crémaillère de réglage de hauteur du guide de perçage permet de régler une hauteur de perçage de 9 mm à 43 mm (Image G) (23/64" - 1-11/16").

1. Dévissez la molette de fixation de la hauteur du guide de perçage (17).
2. Tournez la molette de réglage de la hauteur du guide (16) pour pouvoir abaisser ou relever le guide de perçage.
3. Alignez la flèche noire du mécanisme de réglage de la hauteur sur la graduation de hauteur requise présente sur l'échelle adjacente (18)
4. Resserrez la vis de fixation de la hauteur du guide de perçage pour fixer le guide de perçage à la hauteur voulue.

# Utilisation

## Manipulation lors du perçage

**IMPORTANT** : Tenez toujours l'appareil à deux mains lors du perçage. Tenez le corps de la machine (4) d'une main, en maintenant confortablement le pouce sur l'interrupteur marche/arrêt (21). Tenez la poignée auxiliaire (3) fermement de l'autre main (Image L).

## Mise en marche et arrêt

1. Pour mettre la machine en marche, appuyez sur l'arrière de l'interrupteur marche/arrêt (21).
2. Relâchez l'interrupteur pour arrêter.

### Remarque :

- Configurez la chevilleuse électrique en suivant les indications données ci-dessus dans la section « Avant utilisation » pour pouvoir percer des trous de dimensions adéquates dans la pièce, et marquez au crayon là où vous voulez percer.
- Il est important d'effectuer un marquage précis sur la pièce de travail. Il peut également être très utile d'assembler les deux parties de la pièce de travail dans la position voulue, marquez chaque partie et percer. Assembler légèrement avec les 2 premières chevilles, avant d'effectuer d'autre marquage si nécessaire, et poser la chevilleuse au centre de la pièce de travail.
- Il existe une légère tolérance en effectuant un joint avec des chevilles, par conséquent il est important d'avoir constamment les bonnes mesures. Les trous les plus critiques sont ceux situés proche des bords, il est donc conseillé de percer au milieu, pour pouvoir repercer si besoin.
- La pièce de travail doit être stabilisée avec un serre-joint sur l'établi, où utiliser un tapis antidérapant entre la pièce de travail et la surface de travail.

1. Tenez le corps de la machine d'une main en maintenant le pouce sur l'interrupteur marche/arrêt (21).
2. Alignez les lignes de repérage présentes sur la fenêtre (2) sur les repères préalablement tracés sur la pièce à percer et placez la chevilleuse contre la pièce pour percer les trous (Image H).
3. Appuyez fermement la machine contre la pièce à percer de sorte que la semelle frontale (10) et la face inférieure du guide de perçage (1) se trouvent tous deux en contact total avec la pièce à percer.
4. Appuyez sur le guide de perçage avec les doigts de l'autre main pour maintenir la machine en place.

**Remarque** : Il est peut-être nécessaire de stabiliser l'appareil en exerçant une pression sur le guide de perçage (1) plutôt que sur la poignée (3), surtout si les broches antidérapantes ne sont pas ressorties.

**Remarque** : Il peut être également nécessaire d'appliquer une pression si vous utilisez un tapis antidérapant pour stabiliser la pièce de travail. Il est recommandé de tenir l'appareil des deux mains et de stabiliser la pièce de travail

5. Sans faire dériver la machine, appuyez sur l'interrupteur (21) avec le pouce et faites-le coulisser vers l'avant pour activer le moteur, et poussez le corps de la machine vers l'avant pour faire pénétrer les forets dans la pièce à percer (Image I).
6. Poussez le corps de la machine vers l'avant jusqu'à ce que celle-ci soit arrêtée par la butée intégrée au guide de réglage de la profondeur (8).
7. Avec l'appareil toujours en marche, relâchez la gâchette.
8. Une fois les forets retirés, éteindre la chevilleuse en appuyant légèrement sur l'arrière de l'interrupteur.

**NOTA** : du fait de l'effet de suspension à ressorts (20), le corps de la machine reviendra automatiquement en position de repos, vers l'arrière, en extrayant ainsi les forets de la pièce à percer. L'utilisateur doit donc contrôler la sortie des forets en gardant la chevilleuse dans la même position qu'elle avait pendant le perçage.

9. Une fois que les forets ont été retirés de la pièce et se sont arrêtés de tourner, et soulevez la machine pour l'écartier de la pièce à percer.

**Remarque** : il est recommandé d'effectuer des essais sur des chutes ou autre, pour bien comprendre l'utilisation de la chevilleuse.

## Réalisation d'assemblages à 90°

- Pour pouvoir percer des trous coincidents sur la périphérie de la face à joindre, vous devrez placer la machine à angle droit sur la pièce.
- Il est recommandé de travailler en appliquant la machine verticalement sur la pièce, et en exerçant une pression dirigée vers le bas, plutôt que de percer vers le haut, depuis le dessous de la pièce à percer (Image J).

- Si vous avez besoin d'effectuer des trous loin des bords, réglez la chevilleuse de sorte que le guide et la semelle frontale soient bien de niveau entre eux. La chevilleuse peut donc être désormais utilisée verticalement et être placée où vous le voulez, même sur les pièces de travail très grandes. (Image K).

## Réaliser des assemblages à trous multiples

- La chevilleuse est pourvu d'un peigne (11) et d'un peigne du guide de perçage (14) permettant l'utilisation d'un gabarit pour produire des assemblages précis et faciles à régler le long d'une pièce à percer.
  - Il permet également de percer les trous de montage d'étagères de placards.
1. Fixez le gabarit le long de la pièce à percer à la position requise après avoir effectué les mesures précises
  2. Réglez la chevilleuse de sorte que les dents du peigne (11) ou du peigne du guide de perçage (14) puissent s'emboîter dans les creux du gabarit.

**Remarque** : Vérifiez bien la profondeur de perçage, l'inclinaison et la hauteur du guide

3. Emboîtez le peigne dans le gabarit à intervalles réguliers pour créer une série de trous de grande précision.

**Remarque** : Utiliser des gabarits pour les assemblages est idéal quand la chevilleuse est réglé en mode libre pour travailler sur des grandes pièces de travail.

**Remarque** : Vous pouvez utiliser vos propres gabarits ou utiliser des gabarits préfabriqués.

## Différents types d'assemblages

**Remarque** : cette chevilleuse permet d'effectuer une grande variété d'assemblages, mais ils ne sont pas expliqués dans ce manuel

## Accessoires

Une large gamme d'accessoires est disponible chez votre revendeur Triton. Des pièces de rechange peuvent être obtenues sur [toolsparsonline.com](http://toolsparsonline.com).

## Entretien



**ATTENTION** : Débranchez TOUTJOURS l'appareil avant d'effectuer une inspection, l'entretien ou le nettoyage.

- Inspectez le cordon d'alimentation avant chaque utilisation, vérifiez qu'il n'est ni endommagé, ni usé. Cela s'applique également aux rallonges utilisées avec cet appareil.
- S'il est nécessaire de remplacer le cordon, cela doit être fait pour le fabricant ou un de ses agents certifiés pour éviter tout risque quant à la sécurité.

## Inspection générale

- Vérifiez régulièrement que les vis de fixation sont bien serrées
- Vérifiez l'état du câble d'alimentation avant chaque utilisation et vérifiez qu'il n'est pas usé ou endommagé. Toute réparation doit être effectuée dans un centre technique Triton agréé. Ce conseil vaut pour les rallonges utilisées avec cet outil.

## Lubrification

- Lubrifiez régulièrement les parties mobiles avec un vaporisateur de lubrifiant adéquat.

## Nettoyage

- Gardez l'appareil propre. La poussière et la saleté provoquent l'usure rapide des éléments internes de l'appareil et réduit sa durabilité.
- Utilisez une brosse souple ou un chiffon sec pour le nettoyage.
- Nettoyez le boîtier de la machine avec un chiffon doux et humide.
- N'utilisez jamais d'agents caustiques sur les parties plastiques. Si un nettoyage sec ne suffit pas, il est recommandé d'utiliser un détergent doux sur un chiffon humide.
- L'appareil ne doit jamais être mis en contact avec de l'eau.
- Assurez-vous que l'appareil soit complètement sec avant de l'utiliser.
- Si possible, nettoyez les orifices de ventilation à l'air comprimé propre et sec (si applicable).

## Remplacement des charbons

- Avec le temps, les balais de charbon du moteur s'usent.
- Si les balais sont excessivement usés, le rendement du moteur peut diminuer, la machine peut ne pas démarrer ou une quantité anormale d'étincelles peut être observée

- Pour remplacer les balais, retirer les quatre vis maintenant le boîtier de la poignée principale (5). Détachez les deux côtés en faisant attention de ne pas endommager les fils. Enlever les deux balais usés, et remplacer-les par les nouveaux. Réinstallez le boîtier et revisez. Autrement, vous pouvez toujours les faire remplacer dans un centre d'entretien agréé

## Recyclage

Lorsque l'appareil n'est plus en état de fonctionner et qu'il n'est pas réparable, recyclez l'appareil conformément aux réglementations nationales.

- Ne jetez pas les outils électriques, batteries et autres équipements électriques ou électroniques (DEEE) avec les ordures ménagères.
- Contactez les autorités locales compétentes en matière de gestion des déchets pour vous informer de la procédure à suivre pour recycler les outils électriques.

## Garantie

Pour valider votre garantie, rendez-vous sur notre site internet [www.tritontools.com](http://www.tritontools.com)\* et saisissez vos coordonnées.

Vos coordonnées seront introduites dans notre liste de diffusion (sauf indication contraire) afin de vous informer de nos prochaines nouveautés. Les informations que vous nous fournirez ne seront pas communiquées à des tiers.

## Pense-bête

Date d'achat : \_\_\_ / \_\_\_ / \_\_\_\_

Modèle: TDJ600

Veuillez conserver votre ticket de caisse comme preuve d'achat.

Si toute pièce de ce produit s'avérait défectueuse du fait d'un vice

de fabrication ou de matériau dans les 3 ANS suivant la date d'achat, Triton Precision Power Tools s'engage auprès de l'acheteur de ce produit à réparer ou, à sa discrétion, à remplacer gratuitement la pièce défectueuse.

Cette garantie ne s'applique pas à l'utilisation commerciale et ne s'étend pas non plus à l'usure normale ou aux dommages causés par des accidents, des mauvais traitements ou une utilisation impropre.

\* Enregistrez votre produit en ligne dans les 30 jours suivant la date d'achat.

Offre soumise à conditions.

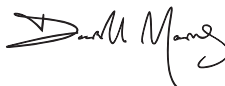
Ceci n'affecte pas vos droits statutaires.

**Organisme notifié :** TÜV SÜD Product Service

**La documentation technique est conservée par :** Silverline Tools

**Date :** 05/05/15

**Signature :**



Mr Darrell Morris

Directeur général

**Nom et adresse du fabricant ou de son représentant agréé :**

Powerbox International Limited, entreprise enregistrée sous le numéro 06897059.

Powerbox, Boundary Way, Lufton Trading Estate, Yeovil, Somerset, BA22 8HZ, Royaume Uni.

## CE Declaration of Conformity

**Le soussigné :** Mr Darrell Morris

**Autorisé par :** Silverline Tools

Déclare que le produit :

**Code d'identification :** 186171

**Description:** Chevilleuse tourillonneuse électrique

**Est conforme aux directives suivantes :**

- Directive sur les machines 2006/42/CE
- Directive sur les basses tensions 2006/95/CE
- Directive sur la compatibilité électromagnétique 2014/108/CE
- Directive RoHS 2011/65/UE
- EN60745-2-19:2005+A1:2010
- EN60745-1:2009+A11:2010
- EN55014-1:2009+A2:2011
- EN55014-2:1997+A2:2008
- EN61000-3-2:2014
- EN61000-3-3:2013 • EN62321:2009

# Übersetzung der Originalbetriebsanleitung

## Einführung

Vielen Dank, dass Sie sich für dieses Silverline-Werkzeug entschieden haben. Diese Anleitung enthält wichtige Informationen für das sichere und effektive Arbeiten mit diesem Produkt. Selbst wenn Sie bereits mit ähnlichen Produkten vertraut sind, lesen Sie diese Anleitung bitte sorgfältig durch, um den größtmöglichen Nutzen aus diesem Werkzeug ziehen zu können. Bewahren Sie diese Anleitung griffbereit auf und sorgen Sie dafür, dass alle Benutzer dieses Geräts sie gelesen und verstanden haben.

## Symbolerklärung

Auf dem Typenschild des Werkzeugs sind möglicherweise Symbole abgebildet. Sie vermitteln wichtige Informationen über das Produkt oder dienen als Gebrauchsanweisung.



Gehörschutz tragen  
Augenschutz tragen  
Atemschutz tragen  
Kopfschutz tragen



Schutzhandschuhe tragen



Bedienungsanleitung sorgfältig lesen



**WARNING!** Scharfe Sägeblätter/-zähne!



Nicht im Regen oder in feuchter Umgebung verwenden!



Vor Einstellungsänderungen, Zubehörwechseln, Reinigungs- und Instandhaltungsarbeiten sowie bei Nichtgebrauch stets von der Spannungsversorgung trennen!



**WARNING!** Risiko von Quetsch- und Schnittverletzungen durch bewegliche Teile!



Achtung, Gefahr!



Schutzklasse II (doppelt isoliert)



**Umweltschutz**  
Elektroaltgeräte dürfen nicht über den Haushaltsmüll entsorgt werden. Nach Möglichkeit bitte über entsprechende Einrichtungen entsorgen. Lassen Sie sich bezüglich der sachgemäßen Entsorgung von Elektrowerkzeugen von der zuständigen Behörde oder dem Händler beraten.



Erfüllt die einschlägigen Rechtsvorschriften und Sicherheitsnormen

## Abkürzungsverzeichnis

V	Volt
~, AC	Wechselstrom
A, mA	Ampere, Milliampere
n <sub>0</sub>	Leerlaufdrehzahl
n	Durchmesser
A <sub>0</sub>	Grad
°	Wellenlänge
Ø	Diameter
Hz	Hertz
, DC	Gleichstrom
$\frac{W}{kW}$	Watt, Kilowatt
/min or min <sup>-1</sup>	Umdrehungen pro Minute
λ	Amperestunden (Akkukapazität)
dB(A)	Schallpegel in Dezibel (A-bewertet)
m/s <sup>2</sup>	Quadratmeter pro Sekunde (Schwingsstärke)

## Technische Daten

<b>Modellbezeichnung:</b>	TDJ600
<b>Spannung:</b>	220–240 V~, 50/60 Hz
<b>Aufnahmeleistung:</b>	710 W
<b>Leerlaufdrehzahl:</b>	17.500 min <sup>-1</sup>
<b>Bohrerabstand:</b>	32 mm
<b>Bohrtiefe:</b>	0-38 mm
<b>Bohrdurchmesser:</b>	Ø 6-10 mm
<b>Anschlagswinkel:</b>	0-90°
<b>Höhenverstellung:</b>	9-43 mm
<b>Schutzklasse:</b>	
<b>Netzkabel:</b>	3 m
<b>Abmessungen (L x H x B):</b>	470 x 220 x 155 mm
<b>Gerätgewicht:</b>	2,8 kg

Aufgrund der fortlaufenden Weiterentwicklung unserer Produkte können sich die technischen Daten von Triton-Produkten ohne vorherige Ankündigung ändern.

### Geräusch- und Vibrationsinformationen:

**Schalldruckpegel LPA:** 88,4 dB(A)

**Schalleistungspegel LWA:** 99,4 dB(A)

**Unsicherheit K:** 3 dB

**Hand-Arm-Vibration:** 2,584 m/s<sup>2</sup>

**Unsicherheit:** 1,5 m/s<sup>2</sup>

**Der Schallintensitätspegel kann für den Bediener 85 dB(A) übersteigen und Lärmschutzmaßnahmen sind notwendig.**

**WARNUNG!** Tragen Sie in Bereichen, in denen der Lärmpegel 85 dB(A) überschreitet, unbedingt angemessenen Gehörschutz und begrenzen Sie nach Möglichkeit die Belastungsdauer. Sollte trotz Gehörschutz Unbehagen irgendeiner Art auftreten, beenden Sie die Arbeit unverzüglich und überprüfen Sie den Gehörschutz auf korrekten Sitz und Funktion und stellen Sie sicher, dass dieser einen angemessenen Schutz für den Lärmpegel bietet, der von den verwendeten Werkzeugen ausgeht.

**WARNUNG!** Bei der Benutzung mancher Werkzeuge wird der Benutzer Vibrationen ausgesetzt, welche zum Verlust des Tastsinns, zu Taubheitsgefühl, Kribbeln und zu einer Verminderung der Handgreifkraft führen können. Langfristige Belastung kann zu chronischen Beschwerden führen. Begrenzen Sie, falls nötig, die Exposition zu Vibrationen und tragen Sie vibrationsmindernde Handschuhe. Verwenden Sie dieses Werkzeug nicht mit kalten Händen, da Vibrationen bei Temperaturen unter dem individuellen Komfortbereich eine stärkere Wirkung zeigen. Beurteilen Sie die Vibrationsbelastung unter Zuhilfenahme der Technischen Daten des jeweiligen Werkzeuges und bestimmen Sie die zulässige Belastungsdauer und -häufigkeit.

Die in den Technischen Daten angegebenen Geräusch- und Vibrationsinformationen werden nach EN 60745 bzw. vergleichbaren internationalen Standards bestimmt. Die angegebenen Werte beziehen sich auf eine normale Benutzung des Werkzeuges unter normalen Arbeitsbedingungen. Schlecht gewartete, inkorrekter montierte und unsachgemäß verwendete Werkzeuge können erhöhte Schallpegel und Vibrationswerte aufweisen. Weitere Informationen zur EU-Vibrationsrichtlinie und zu Schall- sowie Vibrationsbelastungen, die auch für Heimnutzer relevant sein können, finden Sie auf den Seiten der Europäischen Agentur für Sicherheit und Gesundheitsschutz am Arbeitsplatz: [www.osha.europa.eu](http://www.osha.europa.eu).

## Allgemeine Sicherheitshinweise

**WARNUNG!** Lesen Sie alle Sicherheitshinweise und Anweisungen. Versäumnisse bei der Einhaltung der Sicherheitshinweise und Anweisungen können elektrischen Schlag, Brand und/oder schwere Verletzungen verursachen.

**WARNUNG!** Dieses Gerät darf nicht von Personen (wie z.B. Kindern) mit eingeschränkter körperlicher oder geistiger Fähigkeiten oder von Personen ohne Erfahrung im Umgang mit einem solchen Gerät betrieben werden, außer wenn sie von einer für ihre persönliche Sicherheit verantwortlichen Person in der Benutzung unterwiesen worden sind und dabei beaufsichtigt werden. Kinder müssen beaufsichtigt werden, um sicherzustellen, dass sie das Gerät nicht als Spielzeug verwenden.

Bewahren Sie alle Sicherheitshinweise und Anweisungen für die Zukunft auf.

Der in den Sicherheitshinweisen verwendete Begriff „Elektrowerkzeug“ bezieht sich auf netzbetriebene

Elektrowerkzeuge (mit Netzkabel) und auf akkubetriebene Elektrowerkzeuge (ohne Netzkabel).

### 1) Arbeitsplatzsicherheit

- Halten Sie Ihren Arbeitsbereich sauber und gut beleuchtet.** Unordnung oder unbeleuchtete Arbeitsbereiche können zu Unfällen führen.
- Arbeiten Sie mit dem Elektrowerkzeug nicht in explosionsgefährdeter Umgebung, in der sich brennbare Flüssigkeiten, Gase oder Stäube befinden.** Elektrowerkzeuge erzeugen Funken, die den Staub oder die Dämpfe entzünden können.
- Halten Sie Kinder und andere Personen während der Benutzung des Elektrowerkzeugs fern.** Bei Ablenkung können Sie die Kontrolle über das Gerät verlieren.

### 2) Elektrische Sicherheit

- Der Anschlussstecker des Elektrowerkzeuges muss in die Steckdose passen.** Der Stecker darf in keiner Weise verändert werden. Verwenden Sie keine Adapterstecker gemeinsam mit geschützten Elektrowerkzeugen. Unveränderte Stecker und passende Steckdosen verringern das Risiko eines elektrischen Schlages.
- Vermeiden Sie Körperkontakt mit geerdeten Oberflächen wie von Rohren, Heizungen, Herden und Kühlschränken.** Es besteht ein erhöhtes Risiko durch elektrischen Schlag, wenn Ihr Körper geerdet ist.
- Halten Sie Elektrowerkzeuge von Regen oder Nässe fern.** Das Eindringen von Wasser in ein Elektrowerkzeug erhöht das Risiko eines elektrischen Schlages.
- Zweckentfremden Sie das Kabel nicht, um das Elektrowerkzeug zu tragen, aufzuhängen oder um den Stecker aus der Steckdose zu ziehen.** Halten Sie das Kabel fern von Hitze, Öl, scharfen Kanten oder sich bewegenden Geräteteilen. Beschädigte oder verwickelte Kabel erhöhen das Risiko eines elektrischen Schlages.
- Wenn Sie mit einem Elektrowerkzeug im Freien arbeiten, verwenden Sie nur Verlängerungskabel, die auch für den Außenbereich geeignet sind.** Die Anwendung eines für den Außenbereich geeigneten Verlängerungskabels verringert das Risiko eines elektrischen Schlages.

f) **Wenn der Betrieb des Elektrowerkzeuges in feuchter Umgebung nicht vermeidbar ist, verwenden Sie einen Fehlerstromschutzschalter.** Der Einsatz eines Fehlerstromschutzschalters verringert das Risiko eines elektrischen Schlages.

g) **In Australien und Neuseeland darf dieses Gerät nur unter Verwendung einer Fehlerstromschutzeinrichtung (FI-Schalter) mit einem Bemessungsfehlerstrom von höchstens 30 mA an die Spannungsversorgung angeschlossen werden.**

### 3) Sicherheit von Personen

- Seien Sie aufmerksam, achten Sie darauf, was Sie tun, und gehen Sie mit Vernunft an die Arbeit mit einem Elektrowerkzeug. Benutzen Sie kein Elektrowerkzeug, wenn Sie müde sind oder unter dem Einfluss von Drogen, Alkohol oder Medikamenten stehen.** Ein Moment der Unachtsamkeit beim Gebrauch des Elektrowerkzeuges kann zu ernsthaften Verletzungen führen.
- Tragen Sie persönliche Schutzausrüstung und immer eine Schutzbrille.** Das Tragen persönlicher Schutzausrüstung, wie Staubmaske, rutschfeste Sicherheitsschuhe, Schutzhelm oder Gehörschutz, je nach Art und Einsatz des Elektrowerkzeuges, verringert das Risiko von Verletzungen.
- Vermeiden Sie eine unbeabsichtigte Inbetriebnahme.** Vergewissern Sie sich, dass das Elektrowerkzeug ausgeschaltet ist, bevor Sie es an die Stromversorgung und/oder den Akku anschließen, es aufnehmen oder tragen. Wenn Sie beim Tragen des Elektrowerkzeuges den Finger am Schalter haben oder das Gerät eingeschaltet an die Stromversorgung anschließen, kann dies zu Unfällen führen.
- Entfernen Sie Einstellwerkzeuge oder Schraubenschlüssel, bevor Sie das Elektrowerkzeug einschalten.** Ein Werkzeug oder Schlüssel, der sich in einem drehenden Geräteteil befindet, kann zu Verletzungen führen.
- Vermeiden Sie eine unnatürliche Körperhaltung.** Sorgen Sie für einen sicheren Stand und halten Sie jederzeit das Gleichgewicht. Auf diese Weise lässt sich das Elektrowerkzeug in unerwarteten Situationen besser kontrollieren.
- Tragen Sie geeignete Kleidung.** Tragen Sie keine weiche Kleidung oder Schmuck. Halten Sie Haare, Kleidung und Handschuhe fern von sich bewegenden Teilen. Lockere Kleidung, Schmuck oder lange Haare können von sich bewegenden Teilen erfasst werden.
- Wenn Staubabsaug- und -auffangeinrichtungen montiert werden können, vergewissern Sie sich, dass diese angeschlossen sind und richtig verwendet werden.** Verwendung einer Staubabsaugung kann Gefährdungen durch Staub verringern.

### 4) Verwendung und Behandlung des Elektrowerkzeuges

- Überlasten Sie das Gerät nicht.** Verwenden Sie für Ihre Arbeit das dafür bestimmte Elektrowerkzeug. Mit dem passenden Elektrowerkzeug arbeiten Sie besser und sicherer im angegebenen Leistungsbereich.
  - Benutzen Sie kein Elektrowerkzeug, dessen Schalter defekt ist.** Ein Elektrowerkzeug, das sich nicht mehr ein- oder ausschalten lässt, ist gefährlich und muss repariert werden.
  - Ziehen Sie den Stecker aus der Steckdose und/oder entfernen Sie den Akku, bevor Sie Geräteeinstellungen vornehmen, Zubehörfteile wechseln oder das Gerät weglegen.** Diese Vorsichtsmaßnahme verhindert den unbeabsichtigten Start des Elektrowerkzeuges.
  - Bewahren Sie unbenutzte Elektrowerkzeuge außerhalb der Reichweite von Kindern auf.** Lassen Sie Personen das Gerät nicht benutzen, die mit diesem nicht vertraut sind oder diese Anweisungen nicht gelesen haben. Elektrowerkzeuge sind gefährlich, wenn sie von unerfahrenen Personen benutzt werden.
  - Pflegen Sie Elektrowerkzeuge mit Sorgfalt.** Kontrollieren Sie, ob bewegliche Teile einwandfrei funktionieren und nicht klemmen, ob Teile gebrochen oder so beschädigt sind, dass die Funktion des Elektrowerkzeuges beeinträchtigt ist. Lassen Sie beschädigte Teile vor dem Einsatz des Gerätes reparieren. Viele Unfälle haben ihre Ursache in schlecht gewarteten Elektrowerkzeugen.
  - Halten Sie Schneidwerkzeuge scharf und sauber.** Sorgfältig gepflegte Schneidwerkzeuge mit scharfen Schneidkanten verklemmen sich weniger und sind leichter zu führen.
  - Verwenden Sie Elektrowerkzeug, Zubehör, Einsatzwerkzeuge usw. entsprechend diesen Anweisungen.** Berücksichtigen Sie dabei die Arbeitsbedingungen und die auszuführende Tätigkeit. Der Gebrauch von Elektrowerkzeugen für andere als die vorgesehenen Anwendungen kann zu gefährlichen Situationen führen.
- ### 5) Service
- Lassen Sie Ihr Elektrowerkzeug nur von qualifiziertem Fachpersonal und nur mit Original-Ersatzteilen reparieren.** Damit wird sichergestellt, dass die Sicherheit des Elektrowerkzeuges erhalten bleibt.

# Zusätzliche Sicherheitshinweise für Dübelmaschinen und Dübelfrässtationen



- **Dübelfräser müssen mindestens auf die Nenndrehzahl des jeweiligen Gerätes ausgelegt sein.** Über ihrer zugelassenen Drehzahl arbeitende Fräser können auseinanderfliegen und Verletzungen verursachen.
- **Verwenden Sie stets die Schutzhaube und andere Schutzvorrichtungen des Gerätes.** Diese schützen den Bediener vor abgebrochenen Fräserteilen und versehentlichem Kontakt mit scharfen Kanten oder Zähnen.
- **Fassen Sie das Elektrowerkzeug nur an den isolierten Griffflächen an, wenn Sie Arbeiten ausführen, bei denen das Einsatzwerkzeug das eigene Netzkabel treffen kann.** Kontakt mit einer spannungsführenden Leitung setzt auch Metallteile des Elektrowerkzeuges unter Spannung und führt zu einem elektrischen Schlag.
- **Dieses Gerät darf nicht von Personen unter 18 Jahren verwendet werden.** Bediener müssen im Gebrauch des Gerätes geschult und mit den Sicherheitsvorschriften vertraut sein.
- **Falls das Netzkabel ersetzt werden muss, darf dies nur durch den Hersteller oder seinen Vertreter geschehen, um Sicherheitsrisiken auszuschließen.**
- **Es wird dringend empfohlen, dass bei der Stromversorgung des Gerätes ein Fehlerstromschutzschalter mit einem Bemessungsfehlerstrom von höchstens 30 mA eingesetzt wird.**

**WARNING!** Niemals stumpfe oder beschädigte Bohrer verwenden.

**WARNING!** Den Rückzugmechanismus der Schutzhaube vor Gebrauch auf einwandfreie Funktion prüfen.



**Verwenden Sie angemessenen Atemschutz:** Bei der Arbeit mit diesem Gerät kann Staub entstehen, der krebserregende und geburts- bzw. fortpflanzungsschädigende Chemikalien enthält. Einige Holzarten weisen Konservierungsmittel wie Kupfer-Chrom-Arsen (CCA) auf, das giftig sein kann. Beim Schleifen, Bohren und Schneiden dieser Werkstoffe sollten das Einatmen des Staubs sowie Hautkontakt vermieden werden.

- Kabeltrommeln für mit diesem Gerät verwendete Verlängerungskabel müssen vollständig abgewickelt werden. Mindestleiterquerschnitt: 1,0 mm<sup>2</sup>.
- Schließen Sie das Gerät bei Verwendung im Freien an eine Stromquelle mit Fehlerstromschutzschalter an und benutzen Sie ein Verlängerungskabel mit einem Mindestleiterquerschnitt von 1,5 mm<sup>2</sup> und wassergeschützten Steckern in einwandfreiem Betriebszustand.
- Vergewissern Sie sich vor Inbetriebnahme, dass der Bohrer bzw. Fräser sicher befestigt ist. Locker sitzende Einsatzwerkzeuge können aus dem Gerät geschleudert werden und eine Sicherheitsgefahr darstellen.
- Warten Sie stets, bis das Einsatzwerkzeug zum völligen Stillstand gekommen ist, bevor Sie das Gerät ablegen.
- Tragen Sie beim Betrieb dieses Gerätes Sicherheitsausrüstung einschließlich Schutzbrille oder Gesichtsschild, Gehörschutz und Schutzkleidung einschließlich Schutzhandschuhen. Verwenden Sie eine Staubschutzmaske, wenn beim Bohren Staub entsteht.
- Sorgen Sie für ausreichende Beleuchtung des Arbeitsbereichs.
- Stellen Sie sicher, dass der Fräser das Werkstück vor dem Einschalten des Gerätes nicht berührt.
- Verwenden Sie zur Bedienung dieses Gerätes beide Hände.
- Montieren Sie stets mit dem Gerät gelieferte Zusatzhandgriffe, sofern in der Betriebsanweisung nicht ausdrücklich anders angegeben (z.B. zur Ausführung bestimmter Aufgaben).
- Üben Sie keinen Druck auf das Gerät aus, weil dadurch seine Lebensdauer verkürzt würde.
- Fräser werden während des Betriebs heiß. Lassen Sie sie vor dem Berühren abkühlen.
- Entfernen Sie Sägemehl, Sägespäne oder Ausschussmaterial nahe dem Fräser niemals mit den Händen.
- Falls Sie beim Betrieb des Gerätes unterbrochen werden, führen Sie den begonnenen Arbeitsschritt zu Ende und schalten Sie das Gerät aus, bevor Sie aufschauen.

- Verwenden Sie nach Möglichkeit Spannvorrichtungen oder einen Schraubstock zur sicheren Befestigung des Werkstücks.
- Trennen Sie das Gerät stets von der Stromversorgung, bevor Sie einen Fräser wechseln.
- Untersuchen Sie die Fräseraufnahme regelmäßig auf Verschleißerscheinungen und Schäden. Lassen Sie defekte Teile von einer zugelassenen Vertragswerkstatt reparieren bzw. ersetzen.
- Trennen Sie das Gerät nach Beendigung der Arbeit vom Stromnetz.
- Überprüfen Sie in regelmäßigen Abständen sämtliche Schrauben, Muttern und anderen Befestigungsmittel auf festen Sitz und ziehen Sie sie bei Bedarf an.

## Zusätzliche Sicherheitshinweise für Schneidwerkzeuge

**WARNING!** Stellen Sie vor Anschluss eines Werkzeugs an eine Stromquelle (Steckdose, Stromanschluss usw.) sicher, dass die Netzspannung der auf dem Typenschild des Werkzeugs angegebenen Spannung entspricht. Eine Stromquelle mit einer höheren Spannung als der für das Werkzeug spezifizierten Spannung kann zu schweren Verletzungen des Bedieners sowie Beschädigung des Werkzeugs führen. Schließen Sie das Werkzeug im Zweifelsfall nicht an. Eine niedrigere Spannung als auf dem Leistungsschild angegeben schadet dem Motor.

### Korrektes Schneidwerkzeug verwenden

- Vergewissern Sie sich, dass sich das Schneidwerkzeug für die auszuführende Aufgabe eignet. Ziehen Sie vor Gebrauch immer die Produktliteratur heran und geben Sie nicht ohne Überprüfung davon aus, dass das Werkzeug für die Anwendung geeignet ist.

### Augen schützen

- Tragen Sie bei Verwendung von Schneidwerkzeugen immer angemessenen Augenschutz.
- Gewöhnliche Brillen sind als Augenschutz bei Verwendung dieses Werkzeugs nicht ausreichend. Normale Brillengläser sind nicht schlagfest und könnten zersplittern.

### Gehör schützen

- Bei Werkzeugeschallpegeln über 85 dB immer geeigneten Gehörschutz tragen.

### Atemwege schützen

- Sorgen Sie dafür, dass Sie selbst und Umstehende geeignete Staubschutzmasken tragen.

### Hände schützen

- Halten Sie die Hände von Schneidwerkzeugen fern. Verwenden Sie für kürzere Werkstücke einen entsprechend geeigneten Schiebstock, wenn dies mit der Art des Elektrowerkzeugs vereinbar ist.

### Auf Umstehende achten

- Es liegt in der Verantwortung des Bedieners, dass andere Personen im Arbeitsbereich keinen gefährlichen Schallpegeln oder Staub ausgesetzt werden. Sorgen Sie dafür, dass diesen Personen geeignete Schutz-ausrüstung zur Verfügung steht.

### Nicht sichtbare Gegenstände

- Untersuchen Sie das Werkstück vor Arbeitsbeginn gründlich auf Nägel und andere Fremdkörper und entfernen Sie diese.
- Bearbeiten Sie keine Werkstücke, die Fremdkörper enthalten, es sei denn, Sie sind sicher, dass sich der Schneideinsatz am Gerät für die Aufgabe eignet.
- In Wänden können sich verdeckte Drähte und Leitungen befinden, in Karosserieteilen können versteckte Kraftstoffleitungen verlaufen und in höherem Grad können Steine oder Glas vorhanden sein. Überprüfen Sie vor Arbeitsbeginn immer zunächst gründlich den Arbeitsbereich.

### Auf geschleuderten Verschnitt achten

- In einigen Situationen können Verschnittstücke mit hoher Geschwindigkeit vom Schneidwerkzeug weggeschleudert werden. Es liegt in der Verantwortung des Bedieners, für den Schutz anderer, im Arbeitsbereich befindlicher Personen vor katapultiertem Ausschussmaterial zu sorgen.

### Einsetzen von Zubehör

- Vergewissern Sie sich vor Gebrauch, dass das Schneidzubehör ordnungsgemäß und fest eingesetzt wurde. Prüfen Sie vor Gebrauch, dass Schraubschlüssel und Einstellwerkzeuge entfernt wurden.



- Verwenden Sie nur für das Gerät empfohlenes Zubehör.
- Versuchen Sie nicht, das Gerät oder sein Zubehör zu modifizieren.

## Vorschubrichtung

- Führen Sie das Werkstück dem Sägeblatt oder Schneideinsatz nur gegen die Bewegungsrichtung von Sägeblatt oder Schneideinsatz zu.

## Vorsicht vor Hitzebildung

- Beachten Sie, dass Schneidwerkzeuge und Werkstücke während des Gebrauchs heiß werden können. Versuchen Sie nicht, Werkzeuge auszutauschen, bevor sie völlig abgekühlt sind.

## Abfallstoffe kontrollieren

- Achten Sie darauf, dass sich keine Späne oder Staub ansammeln. Sägemehl stellt eine Brandgefahr dar und einige Metallspäne sind explosionsgefährlich.
- Lassen Sie bei Geräten zum Sägen von Holz und Metall besondere Vorsicht walten. Funken infolge von Metallsägen sind eine häufige Ursache für Holzstaubfeuer.
- Verwenden Sie nach Möglichkeit ein Staubabsaugsystem, um eine sicherere Arbeitsumgebung zu gewährleisten.

## Geräteübersicht

1. Anschlag
2. Sichtfenster
3. Zusatzgriff
4. Gerätekörper
5. Hauptgriff
6. Bohrtiefeinstellung
7. Nullpunktmarkierung
8. Bohrtiefenskala
9. Anschlagwinkleinstellung
10. Winkelskala
11. Anschlagskerben
12. Frontplatte
13. Antirutschauflagen
14. Kerbenleiste
15. Innensechskantschlüssel
16. Anschlaghöheinstellung
17. Anschlaghöhenfeststellschraube
18. Höhenskala
19. Bohreranfahnen
20. Rückhoffer
21. Ein-/Ausschalter
22. Staubabsauganschluss

**Im Lieferumfang enthaltenes Zubehör:** 8-mm-Bohrer (2 Stck.), Innensechskantschlüssel und Staubabsaugadapter

## Bestimmungsgemäße Verwendung

Tragbares, netzbetriebenes Elektrowerkzeug zum Erstellen von Dübellöchern in gleichmäßigen Abständen zwecks Anfertigung von Holzverbindungen.

## Vor Inbetriebnahme

### Bohrer einsetzen

**WARNUNG!** Die Bohrer sind sehr scharf! Tragen Sie daher stets Schutzhandschuhe und lassen Sie beim Umgang mit den Bohrern Vorsicht walten.

1. Drehen Sie eine der Bohreranfahnen (19), bis Sie die Befestigungsschraube erreichen können (siehe Abb. A).
2. Lösen Sie die Schraube mit dem im Lieferumfang enthaltenen Innensechskantschlüssel (15).
3. Halten Sie den Bohrer so, dass die flache Seite des Schafts in einer Linie mit der Befestigungsschraube verläuft.

4. Führen Sie den Schaft bis zum Anschlag in die Aufnahme ein und ziehen Sie die Befestigungsschraube an.
5. Vergewissern Sie sich, dass der Bohrer fest sitzt.
6. Wiederholen Sie den Vorgang mit dem anderen Bohrer.

## Bohrtiefenanschlag zurücksetzen/nullen

Nach dem Einsetzen der Bohrer müssen die Bohrtiefenskala (8) und die Nullpunktmarkierung (7) zurückgesetzt werden, damit die Skala korrekte Werte anzeigt (siehe Abb. C).

1. Lösen Sie die Bohrtiefeinstellung (6), bis sich die Bohrtiefenskala frei bewegen lässt.
  2. Halten Sie ein Stück Holz vor die Gerätevorderseite und schieben Sie das Werkzeug vorsichtig vorwärts, bis die Spitzen der Bohrer am Holzstück anliegen. Halten Sie diese Position.
- Hinweis:** Je nachdem, welche Bohrergrößen verwendet werden, können diese evtl. bereits anliegen, ohne dass das Werkzeug verschoben wird, bzw. der Verfahrensweg kann minimal sein.
3. Halten Sie die Position aus Schritt 2, schieben Sie die Bohrtiefenskala (8) soweit wie möglich von der Gerätevorderseite weg, und ziehen Sie die Bohrtiefeinstellung wieder fest.
  4. Lösen und drehen Sie die Nullpunktmarkierung (7) geringfügig, bis der Zeiger auf den Nullpunkt zeigt, und ziehen Sie sie dann wieder fest.
  5. Vergewissern Sie sich, dass die Bohrerspitzen noch immer mit der Gerätevorderseite übereinstimmen und dass die Bohrtiefenskala nun „0“ anzeigt.

**Hinweis:** Die Stellung der Bohrtiefenskala muss erst wieder verstellt werden, wenn Sie die Bohrer verstellen oder austauschen.

## Staubabsauganlage anschließen

1. Stecken Sie den im Lieferumfang enthaltenen Absaugstutzen-Adapter in den Staubabsauganschluss (22) (siehe Abb. B).
2. Schließen Sie den Schlauch der Staubabsauganlage an den Absaugstutzen-Adapter an und überprüfen Sie ihn auf festen Sitz.

**Hinweis:** Der Adapter lässt sich um 180° drehen.

## Gehrungswinkel einstellen

Der Anschlag (1) lässt sich um 90° schwenken und verfügt über Winkelmarkierungen, mit denen sich Winkel von 22,5°, 45° und 67,5° schnell und einfach einstellen lassen. Gehen Sie zum Einstellen des gewünschten Winkels wie folgt vor:

1. Lösen Sie die Anschlagwinkleinstellung (9).
2. Bringen Sie den Anschlag mithilfe der Winkelskala (10) in den gewünschten Winkel (siehe Abb. D).
3. Ziehen Sie die Anschlagwinkleinstellung wieder an, so dass der Anschlag in dieser Stellung fixiert ist.

**Hinweis:** Vergewissern Sie sich vor dem Bohren, dass der Anschlag sicher befestigt ist. Anderenfalls kann es zu Schäden am Werkstück oder dem Gerät kommen, wenn dieses bei der Benutzung verrutscht.

**Hinweis:** Die Winkelskala ist lediglich für Grobeinstellungen geeignet. Nehmen Sie bei Bedarf einen genauen Winkelmesser zur Hilfe.

## Sichtfenster verwenden

- Die drei Linien auf dem Sichtfenster (2) zeigen folgendes an:
  - die Mittellinien der Bohrer und
  - die Mittellinie zwischen beiden Bohrern.
- Mithilfe dieser Markierungen lässt sich das Gerät präzise auf die Bleistift-Anreißlinien auf dem Werkstück ausrichten (siehe Abb. G).

**Hinweis:** Die Triton-Hand-Dübelmaschine fertigt Bohrungen in einem Abstand von genau 32 mm (Lochmitte zu Lochmitte) an, wodurch das Gerät mit dem Möbelkonstruktions- und Fertigungsprinzip „System 32“ kompatibel und somit ideal zum Herstellen von sauber angeordneten Lochreihen bei Korpusverbindungen ist.

## Bohrtiefe einstellen

- Mithilfe der Bohrtiefenskala (8) lässt sich die Bohrtiefe zwischen 0 und 38 mm einstellen (siehe Abb. F).
- Wenn ein Bohrer gewechselt bzw. neu eingesetzt wurde, müssen die Nullpunktmarkierung (7) und die Bohrtiefenskala (8) jedes Mal auf null zurückgesetzt werden. Weitere Informationen finden sich im Abschnitt „Bohrtiefenanschlag zurücksetzen/nullen“.
- Stellen Sie die gewünschte Bohrtiefe wie folgt anhand der Bohrtiefenskala ein:

- Lösen Sie die Bohrtiefeinstellung (6), so dass sich diese vor- und zurückschieben lässt.
- Stellen Sie die Skala so ein, dass die benötigte Tiefe auf den mittigen Pfeil der Nullpunktmarkierung (7) ausgerichtet ist.
- Ziehen Sie zum Fixieren der Bohrtiefeinstellung den Befestigungsknopf in der gewünschten Position fest. Dies begrenzt den Verfahrensweg des Gerätekörpers und damit die Bohrtiefe.

## Bohrhöhe einstellen

- Die Bohrhöhe lässt sich über den Zahnstangenmechanismus der Anschlagshöhenverstellung zwischen 9 und 43 mm einstellen (siehe Abb. G).
- Lösen Sie die Anschlagshöhenfeststellschraube (17).
  - Drehen Sie zum Anheben oder Absenken des Anschlags die Anschlagshöheneinstellung (16).
  - Stellen Sie den schwarzen Pfeil am Anschlagshöhenmechanismus auf der danebenliegenden Höhenskala (18) auf den benötigten Wert ein.
  - Ziehen Sie die Anschlagshöhenfeststellschraube fest, um den Anschlag (1) in der eingestellten Höhe zu fixieren.

## Bedienung

**WICHTIGER HINWEIS:** Benutzen Sie beim Bohren stets beide Hände. Halten Sie den Gerätekörper (4) mit einer Hand und setzen Sie einen Finger dabei auf den Ein-/Ausschalter (21). Halten Sie den Zusatzgriff (3) mit der anderen Hand, so dass Sie das Werkzeug gut im Griff haben.

### Ein- und Ausschalten

- Drücken Sie zum Einschalten der Hand-Dübelmaschine das hintere Ende des Ein-/Ausschalter (21).
- Geben Sie den Ein-/Ausschalter zum Abschalten des Gerätes wieder frei.

#### Hinweise:

- Um Bohrungen an den richtigen Stellen am Werkstück anzufertigen, richten Sie das Gerät zunächst wie im Abschnitt „Vor Inbetriebnahme“ beschrieben ein und markieren Sie die Bohrstellen mit einem Bleistift auf dem Werkstück.
- Es ist wichtig, dass die Werkstücke korrekt angezeichnet werden. Es kann einfacher sein, die zu verbindenden Werkstücke aufeinanderzustellen bzw. lose zu montieren, um vor dem Bohren die Maße zu übertragen. Setzen Sie die Werkstücke nach dem Anfertigen der ersten Verbindung wieder lose zusammen, um weitere Bohrungen anzuzichnen. Im Idealfall platzieren Sie die ersten beiden Bohrungen nah der Werkstückmitte.
- Beim Arbeiten mit Holzdübeln sind die zulässigen Toleranzen sehr gering. Daher ist exaktes Messen und Anzeichnen enorm wichtig. Bei Dübelverbindungen an Werkstückkanten kommt es ganz besonders auf hohe Genauigkeit an, während in der Werkstückmitte bei Bedarf meist problemlos zusätzliche Bohrungen angefertigt werden können.
- Das Werkstück muss mit Schraubzwingen an der Werkbank fixiert werden. In manchen Fällen ist es jedoch auch möglich, eine rutschfeste Matte zwischen Werkstück und Werkbank zu legen.

- Halten Sie den Gerätekörper mit einer Hand, so dass ein Finger auf dem Ein-/Ausschalter (21) ruht.
- Richten Sie die Linien auf dem Sichtfenster (2) auf Ihre Bleistiftmarkierungen auf dem Werkstück aus und bringen Sie die Hand-Dübelmaschine zum Bohren der Dübellöcher in Position (siehe Abb. H).
- Halten Sie das Gerät fest gegen das Werkstück gedrückt, damit sowohl die Frontplatte (12) als auch die Unterseite des Anschlags (1) vollständig auf dem Werkstück anliegen.
- Drücken Sie die Vorderkante des Anschlags mit den Fingern Ihrer anderen Hand nach unten, damit sich das Gerät nicht verschiebt, und stellen Sie sicher, dass unter der Frontplatte und dem Anschlag kein Spalt entsteht. Nehmen Sie Ihre Hand anschließend an den Zusatzgriff (3) zurück, um sicheren Halt über das Werkzeug zu erlangen.

**Hinweis:** Um sicherzustellen, dass das Werkzeug nicht verrutscht, muss möglicherweise Druck auf den Anschlag (1) (siehe Abb. H) ausgeübt werden, statt den Zusatzgriff (3) festzuhalten,

**Hinweis:** Selbst bei der Verwendung mit einer rutschfesten Matte ist es trotzdem notwendig, das Werkstück festzuhalten, damit es nicht verrutscht. Dazu müssen Sie sich allerdings in der Lage fühlen, das Gerät mit nur einer Hand zu führen. Im Idealfall sollte das Werkstück daher an der Werkbank eingespannt werden, so dass beide Hände für die Gerätführung zur Verfügung stehen.

- Betätigen Sie in einer flüssigen Bewegung den Ein-/Ausschalter (21) und schieben Sie dann den Gerätekörper vorwärts, so dass die Bohrer in das Werkstück eingreifen (siehe Abb. I).

- Schieben Sie den Gerätekörper vorwärts, bis er am Tiefenanschlag der Bohrtiefenskala (8) anschlägt. Dadurch sollten die erforderlichen Bohrungen angefertigt werden.
- Lassen Sie den Gerätekörper bei laufendem Gerät in seine Ursprungsposition zurückkehren, wodurch die Bohrer aus dem Werkstück herausgezogen werden. Halten Sie das Werkzeug dabei fest mit beiden Händen fern.
- Geben Sie den Ein-/Ausschalter frei, sobald die Bohrer aus dem Werkstück ausgetreten sind.

**HINWEIS:** Die Rückholfeder (20) bringt das Gerät automatisch in seine Ausgangsposition zurück, wodurch die Bohrer aus dem Werkstück gezogen werden. Bei diesem Vorgang ist es wichtig, dass der Bediener das Werkzeug gut unter Kontrolle hält und dabei Frontplatte und Anschlag bei leichtem Druck mit dem Werkstück in Kontakt hält.

- Nehmen Sie das Gerät vom Werkstück, sobald die Bohrer aus dem Werkstück ausgetreten und zum völligen Stillstand gekommen sind.

**Hinweis:** Es empfiehlt sich, die Bedienung der Dübelfräse zunächst an Restmaterial zu üben, um sich mit der Arbeitsweise des Gerätes vertraut zu machen.

## Rechtwinklige Verbindungen

- Um die entsprechenden Bohrungen in den zu verbindenden Werkstückflächen anzufertigen, muss das Gerät senkrecht zur Werkstückfläche positioniert werden (siehe Abb. J).
- Anstatt zu versuchen nach oben in das Werkstück zu bohren, sollte das Gerät auf das Werkstück abgesehen werden, so dass das Gerätegewicht den Bohrvorgang unterstützt (siehe Abb. O).
- Falls Sie Bohrungen anfertigen möchten, die sich nicht an einer Werkstückkante befinden, können Frontplatte und Anschlag so ausgerichtet werden, dass sie miteinander bündig sind. In dieser Konfiguration kann die Maschine frei auf dem Werkstück positioniert werden, und das gilt auch für große Werkstücke (siehe Abb. K). Stellen Sie außerdem sicher, dass die Maschine einen guten Halt hat, bevor Sie mit dem Bohrvorgang beginnen (siehe Abb. P).

## Mehrere Verbindungen bohren

Die Dübelmaschine verfügt über Anschlagserkerben (11) und eine Kerbenleiste (14), die für den Einsatz mit einer Dübellehre (nicht im Lieferumfang enthalten), bestimmt sind.

- Die Verwendung einer Dübellehre eignet sich perfekt zum präzisen und schnellen Anfertigen von Lochreihen für Korpusverbindungen und Regale.

- Spannen Sie die Dübellehre nach gründlichem Messen und Anzeichnen am Werkstück fest.
- Stellen Sie die Hand-Dübelmaschine für die Verwendung der Kerbenleiste (14) bzw. der Anschlagserkerben (11) mit der Dübellehre ein.

**Hinweis:** Stellen Sie sicher, dass Bohrtiefe, Anschlagswinkel und Anschlagshöhe korrekt eingestellt sind.

- Setzen Sie die Zinken der Dübellehre in gleichmäßigen Abständen in die Anschlagserkerben der Hand-Dübelmaschine ein, um eine präzise Dübel-Lochreihe zu erhalten, und verwenden Sie die Maschine wie gewohnt.

**Hinweis:** Der Einsatz einer Dübellehre ist ideal, wenn Anschlag und Frontplatte der Dübelmaschine zum freien Arbeiten an größeren Werkstücken bündig eingestellt sind.

**Hinweis:** Dübellehre sind als kommerzielle Produkte im Handel erhältlich, können jedoch auch individuell angefertigt werden.

## Andere Verbindungen

**Hinweis:** Diese Anleitung liefert lediglich eine Einführung in die Funktionen und die Bedienung des Gerätes. Die Hand-Dübelmaschine verfügt über wesentlich vielseitigere Einsatzmöglichkeiten!

## Zubehör

- Ein umfangreiches Zubehörsortiment ist über Ihren Triton-Fachhändler erhältlich. Ersatzteile können ebenfalls über Ihren Fachhändler sowie unter toolsparesonline.com bezogen werden.

## Instandhaltung



**WARNUNG!** Stellen Sie stets sicher, dass das Gerät ausgeschaltet und der Netzstecker gezogen ist, bevor Sie Einstellungsänderungen, Reinigungs- oder Wartungsarbeiten durchführen.

- Untersuchen Sie das Netzkabel des Gerätes vor jedem Gebrauch auf Schäden und Abnutzung. Dies gilt auch für mit dem Gerät verwendete Verlängerungsleitungen.

- Falls das Netzkabel ersetzt werden muss, darf dies nur durch den Hersteller oder einen seiner zugelassenen Vertreter erfolgen, um Sicherheitsrisiken auszuschließen.

## Allgemeine Inspektion

Überprüfen Sie regelmäßig, dass alle Befestigungsschrauben fest sitzen. Sie können sich mit der Zeit durch Vibration lösen.

## Schmierung

- Schmieren Sie alle beweglichen Teile in regelmäßigen Abständen mit einem geeigneten Sprühschmiermittel.

## Reinigung

**WARNUNG!** Tragen Sie während der Reinigung dieses Gerätes stets Schutzausrüstung einschließlich Schutzbrille und Schutzhandschuhe.

- Halten Sie Ihr Gerät stets sauber. Durch Staub und Schmutz verschleifen die inneren Teile schnell und die Lebensdauer des Gerätes wird verkürzt.
- Säubern Sie das Gerätegehäuse mit einer weichen Bürste oder einem trockenen Tuch.
- Reinigen Sie Kunststoffteile niemals mit Ätzmitteln. Falls eine Trockenreinigung nicht ausreichend ist, sollte ein mildes Reinigungsmittel auf einem feuchten Lappen verwendet werden.
- Das Gerät darf niemals mit Wasser in Berührung kommen.
- Vergewissern Sie sich vor dem erneuten Gebrauch, dass das Gerät wieder vollkommen trocken ist.
- Die Entlüftungsöffnungen gegebenenfalls mit sauberer, trockener Druckluft reinigen, sofern verfügbar.

## Bürstenwechsel

- Mit der Zeit unterliegen die Kohlebürsten des Motors dem Verschleiß.
- Wenn der Verschleiß der Bürsten fortgeschritten ist, kann dadurch die Motorleistung abnehmen, die Maschine kurzzeitig ausfallen oder es kann zu sichtbarer Funkenbildung kommen.
- Entfernen Sie zum Wechseln der Kohlebürsten die vier Schrauben am Hauptgriff (5). Nehmen Sie vorsichtig beide Hälften des Griffgehäuses ab und achten Sie dabei darauf, keine Drähte oder Kabel zu beschädigen. Nehmen Sie die verschlissenen Kohlebürsten heraus und ersetzen Sie sie. Bringen Sie das Griffgehäuse vorsichtig wieder an, setzen Sie die Schrauben wieder ein und ziehen Sie sie anschließend fest. Das Gerät kann stattdessen auch von einem zugelassenen Vertragskundendienst gewartet werden.

## Entsorgung

Beachten Sie bei der Entsorgung von defekten und nicht mehr reparablen Elektrowerkzeugen die geltenden Vorschriften und Gesetze.

- Elektrowerkzeuge und andere elektrische und elektronische Altgeräte nicht über den Hausmüll entsorgen.
- Lassen Sie sich von der zuständigen Behörde bezüglich der ordnungsgemäßen Entsorgung von Elektrowerkzeugen beraten.

## Garantie

Zur Anmeldung Ihrer Garantie besuchen Sie bitte unsere Website [www.tritontools.com](http://www.tritontools.com)\* und tragen dort Ihre persönlichen Daten ein. Ihre Angaben werden (wenn nicht anders angewiesen) in unseren elektronischen Verteiler aufgenommen, damit Sie Information über zukünftige Produkteinführungen erhalten. Die von Ihnen bereitgestellten Angaben werden nicht an Dritte weitergegeben.

## Kaufinformation

Kaufdatum: \_\_\_ / \_\_\_ / \_\_\_

Modell: TDJ600 Bewahren Sie bitte Ihren Beleg als Kaufnachweis auf.

## CE-Konformitätserklärung

**Name des Unterzeichners:** Mr. Darrell Morris

**Bevollmächtigt durch:** Silverline Tools

Erklärt hiermit, dass das Produkt:

**Ident.-Nr.:** 186171

**Produktbeschreibung:** Handdübelmaschine

Den folgenden Richtlinien und Normen entspricht:

- Maschinenrichtlinie 2006/42/EG
- Elektromagnetische Verträglichkeitsrichtlinie 2014/108/EG
- RoHS-Richtlinie 2011/65/EU
- Lärmschutzrichtlinie 2000/14/EG
- EN60745-2-19:2005+A1:2010
- EN60745-1:2009+A11:2010
- EN55014-1:2009+A2:2011
- EN55014-2:1997+A2:2008
- EN61000-3-2:2014
- EN61000-3-3:2013 • EN62321:2009

Triton garantiert dem Käufer dieses Produkts, dass Triton, wenn sich Teile dieses Produkts innerhalb von 3 Jahren ab Originalkaufdatum infolge fehlerhafter Materialien oder Arbeitsausführung als defekt erweisen, das mangelhafte Teil nach eigenem Ermessen entweder kostenlos reparieren oder ersetzen wird.

Diese Garantie gilt nicht für kommerzielle Verwendung und erstreckt sich nicht auf normalen Verschleiß oder Schäden infolge von Unfall, Missbrauch oder unsachgemäßer Verwendung.

\*Bitte registrieren Sie sich innerhalb von 30 Tagen nach dem Kauf online.

Es gelten die allgemeinen Geschäftsbedingungen.

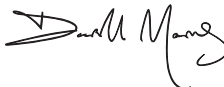
Ihre gesetzlich festgelegten Rechte werden dadurch nicht eingeschränkt.

**Benannte Stelle:** TÜV SÜD Product Service

**Techn. Unterlagen bei:** Silverline Tools

**Datum:** 05.05.2015

**Unterzeichnet von:**



Mr. Darrell Morris

Geschäftsführender Direktor

**Name und Anschrift des Herstellers:**

Powerbox International Limited, Handelsregisternummer 06897059. Eingetragene Anschrift: Powerbox, Boundary Way, Lufton Trading Estate, Yeovil, Somerset BA22 8HZ, Großbritannien

# Traduzione delle istruzioni originali

## Introduzione

Grazie per aver acquistato questo utensile Triton. Queste istruzioni contengono informazioni utili per il funzionamento sicuro ed affidabile del prodotto. Per essere sicuri di utilizzare al meglio il potenziale dell'utensile si raccomanda pertanto di leggere a fondo questo manuale. Conservare il manuale in modo che sia sempre a portata di mano e accertarsi che l'operatore dell'elettroutensile lo abbia letto e capito a pieno.

## Descrizione dei simboli

La targhetta sul vostro utensile può mostrare simboli. Questi rappresentano informazioni importanti riguardanti il prodotto o istruzioni sul suo utilizzo.



Usare la protezione acustica  
Indossare occhiali protettivi  
Indossare protezione respiratoria  
Indossare il casco



Indossare la protezione delle mani



Leggere il manuale di istruzioni



Attenzione: lame affilate e denti!



NON utilizzare in caso di pioggia o di ambienti umidi!



Scollegare sempre dalla rete elettrica durante la regolazione, il cambio degli accessori, la pulizia, prima di eseguire la manutenzione e quando non è in uso!



ATTENZIONE: Parti in movimento possono provocare lesioni da schiacciamento e taglio



Attenzione!



Costruzione di Classe II (doppio isolamento per la protezione supplementare)



Protezione Ambientale  
Gli apparecchi elettrici non devono essere smaltiti insieme ai rifiuti domestici. Riciclare dove esistono impianti. Verificare con le autorità locali o con il vostro rivenditore per un consiglio sul riciclaggio.



Conforme alla normativa di sicurezza e alle norme standard

## Abbreviazioni tecniche

V	Volts
~, AC	Corrente alternata
A, mA	Ampere, milli-Amp
n <sub>0</sub>	Velocità a vuoto
n	Velocità nominale
A <sub>b</sub>	Ore Amp (capacità della batteria)
°	Gradi
Ø	Diametro
Hz	Hertz
— — —, DC	Corrente continua
W, kW	Watt, kilowatt
/min or min <sup>-1</sup>	Operazioni per minuto
λ	Lunghezza d'onda
dB(A)	Decibel sound level (A weighted)
m/s <sup>2</sup>	Metri al secondo quadrato (grandezza della vibrazione)

## Specifiche Tecniche

No di modello:	TDJ600
Tensione:	220 - 240V ~ 50 / 60Hz
Potenza in ingresso:	710W
Velocità a vuoto:	17,000min <sup>-1</sup>
Spaziatura della punta:	32mm
Profondità di foratura:	0 - 38mm
Diametro di foratura:	Ø6-10mm
Gamma angolare della guida:	0 - 90°
Regolazione Altezza:	9 - 43 mm
Classe di protezione:	
Lunghezza cavo di alimentazione:	3 m
Dimensioni (L x W x H):	470 x 155 x 220 millimetri
Peso:	2.8 kg

Come parte del nostro continuo sviluppo dei prodotti, le specifiche dei prodotti Triton possono variare senza preavviso.

### Informazioni sonore e sulle vibrazioni:

Pressione sonora L <sub>pk</sub> :	88.4dB(A)
Potenza sonora L <sub>wk</sub> :	99.4dB(A)
Tolleranza K:	3dB
Vibrazioni ponderata:	2.584m/s <sup>2</sup>
Tolleranza K:	1.5m/s <sup>2</sup>

Il livello di intensità del suono per l'operatore può superare 85 dB (A) e le misure di protezione del suono sono necessarie.

**ATTENZIONE:** Indossare sempre protezioni per le orecchie, dove il livello sonoro supera i 85 dB (A) e limitare il tempo di esposizione, se necessario. Se i livelli sonori sono scomodi, anche con le protezioni per le orecchie, smettere di usare lo strumento immediatamente e controllare la protezione acustica sia montata correttamente e fornisce il corretto livello di isolamento acustico per il livello del suono prodotto dal vostro strumento.

**ATTENZIONE:** l'esposizione dell'utente alle vibrazioni dello strumento può causare la perdita del senso del tatto, intorpidimento, formicolio e riduzione della capacità di presa. Esposizione a lungo termine può portare ad una condizione cronica. Se necessario, limitare la lunghezza del tempo esposti a vibrazioni e utilizzare guanti anti-vibrazione. Non utilizzare lo strumento con le mani sotto ad una temperatura normale comoda, siccome le vibrazioni avranno un effetto maggiore. Utilizzare i dati forniti nella specifica relativa alle vibrazioni per calcolare la durata e la frequenza di funzionamento dello strumento.

I livelli sonori e vibrazioni nella specifica sono determinate a secondo EN60745 o simili standard internazionali. Le figure rappresentano un normale utilizzo per lo strumento in normali condizioni di lavoro. Uno strumento a mal tenuta, montata in modo errato, o usato in modo improprio, possono produrre un aumento dei livelli di rumore e vibrazioni. [www.osha.europa.eu](http://www.osha.europa.eu) fornisce informazioni sui livelli sonori e vibrazioni nei luoghi di lavoro che possono essere utili per gli utenti domestici che utilizzano strumenti per lunghi periodi di tempo.

## Norme generali di sicurezza

**AVVERTENZA:** Leggere ed assimilare tutte le istruzioni. In non osservanza delle seguenti istruzioni può causare scosse elettriche, incendi e/o lesioni gravi.

**ATTENZIONE:** Questo apparecchio non è destinato all'uso da parte di persone (inclusi i bambini) con capacità ridotta, fisiche o mentali o con mancanza di esperienza o di conoscenza, a meno che non siano controllati o istruiti all'uso dell'apparecchio da una persona responsabile della loro sicurezza. I bambini devono essere sorvegliati per assicurarsi che non giochino con l'apparecchio.

Conservare tutte le avvertenze di pericolo e le istruzioni operative per ogni esigenza futura.

Il termine "elettroutensile" si riferisce all'utensile a rete fissa (con filo) o un utensile a batteria (senza filo).

### 1. Area di lavoro.

- Mantenere l'area di lavoro pulita e adeguatamente illuminata. Il disordine e le zone di lavoro possono essere fonte di incidenti.
- Non usare gli elettroutensili in presenza di atmosfere esplosive, come liquidi, gas e polveri infiammabili. Gli elettroutensili producono scintille che potrebbero accendere le polveri o i fumi.
- Tenere altre persone e i bambini a distanza di sicurezza durante l'impiego dell'utensile elettrico. Eventuali distrazioni potrebbero far perdere il controllo dell'utensile all'operatore.

### 2. Sicurezza elettrica

- Le spine degli elettroutensili devono essere compatibili con le prese di corrente. Non modificare in alcun modo la spina dell'elettroutensile. Non usare adattatori con gli elettroutensili dotati di collegamento di messa a terra. L'uso delle spine originali non modificate e delle prese corrispondenti ridurrà il rischio di scosse elettriche.
- Evitare il contatto del corpo con le superfici collegate a massa come i tubi, i radiatori, le cucine e i frigoriferi. Se il corpo dell'operatore è collegato alla terra o alla massa il rischio di scosse elettriche è maggiore.
- Non esporre gli elettroutensili alla pioggia e non lasciarli in ambienti umidi o bagnati. L'ingresso dell'acqua in una macchina utensile aumenta il rischio di scosse elettriche.
- Non usare il cavo in modo improprio. Non afferrare mai il cavo per trasportare, tirare o staccare l'elettroutensile dalla presa di corrente. Tenere il cavo lontano da fonti di calore, olio, e sostanze affini, bordi appuntiti o parti in movimento. I cavi danneggiati o attorcigliati aumentano il rischio di scosse elettriche.
- Qualora si voglia usare l'utensile all'aperto, usare cavi di prolunga compatibili con l'uso in ambienti esterni. Un cavo idoneo all'uso in ambienti esterni riduce il rischio di scosse elettriche.
- Se l'utilizzo di un elettroutensile in ambiente umido è inevitabile, utilizzare una fonte di alimentazione protetta da un dispositivo differenziale. L'uso di un dispositivo differenziale riduce notevolmente il rischio di scosse elettriche.
- Se utilizzato in Australia o in Nuova Zelanda, si raccomanda che questo strumento viene sempre fornito con dispositivo di corrente residua (RCD) con una corrente differenziale nominale di 30 mA o meno.

### 3. Sicurezza personale

- Quando si usa un elettroutensile lavorare sempre con la massima attenzione e concentrazione, lasciandosi guidare dal buon senso. Non usare mai un elettroutensile quando si è stanchi o sotto l'effetto di medicinali e/o sostanze alcoliche o stupefacenti. Quando si usa un elettroutensile un attimo di distrazione è sufficiente a causare gravi lesioni alle persone.
- Usare dispositivi per la protezione personale. Indossare sempre protezioni per gli occhi. I dispositivi per la sicurezza personale, come le mascherine antipolvere, le calzature di sicurezza antiscivolo, il casco e la cuffia, se usati in maniera appropriata, riducono i rischi di lesioni alle persone.
- Evitare l'avviamento accidentale. Garantire che l'interruttore è in posizione arresto (OFF) prima di attaccare la presa e/o batteria, prendere in mano o trasportare l'utensile. Trasportare gli elettroutensili con il dito al di sopra dell'interruttore o attaccando l'elettroutensile con l'interruttore acceso, aumenta il rischio di incidenti.
- Rimuovere tutte le chiavi di regolazione e le chiavi inglesi prima di accendere l'elettroutensile. Una chiave inglese o una chiave di regolazione collegata a una parte in movimento dell'elettroutensile potrebbe causare lesioni alle persone.
- Non andare oltre l'altezza consentita. In qualsiasi momento mantenere i piedi poggiati su superfici solide e un punto di appoggio sicuro. Un buon equilibrio consente di avere il massimo controllo sull'elettroutensile nelle situazioni inaspettate.
- Vestirsi con abbigliamento adeguato. Non indossare abiti larghi o gioielli. Tenere i capelli, vestiti e guanti lontani da parti in movimento. Vestiti lenti, gioielli e capelli lunghi possono impigliarsi nelle parti in movimento.
- Se il dispositivo utilizzato è dotato di una bocchetta per l'aspirazione della polvere accertarsi che sia collegato e utilizzato correttamente. L'uso di tali dispositivi riduce i rischi correlati alle polveri.
- Maneggio ed impiego accurato di utensili elettrici
  - Non forzare l'elettroutensile. Usare sempre l'elettroutensile corretto per il lavoro da eseguire. L'elettroutensile corretto sarà in grado di svolgere il lavoro in modo più efficiente e sicuro nell'ambito della gamma di potenza indicata.
  - Non usare l'elettroutensile se l'interruttore di accensione non si accende e si spegne. Gli elettroutensili con un interruttore di accensione difettoso sono pericolosi e devono essere riparati immediatamente.
  - Staccare la spina dalla presa di corrente prima di effettuare qualsiasi regolazione, sostituire gli accessori o riporre gli attrezzi a motore. Queste misure di sicurezza preventive riducono il rischio di avvio involontario.
  - Conservare l'elettroutensile fuori dalla portata dei bambini e non lasciare che venga utilizzato da persone non adeguatamente addestrate e competenti nell'uso degli elettroutensili o che non abbiano letto questo manuale di istruzioni. Gli elettroutensili diventano estremamente pericolosi nelle mani di persone non addestrate.
  - Mantenere gli elettroutensili. Controllare per disallineamento o la legatura delle parti in movimento, la rottura di parti e altre condizioni che possono influire il funzionamento dell'apparecchio. In caso di danneggiamento, fare riparare prima dell'uso. Molti incidenti sono causati da una scarsa manutenzione dell'utensile.
  - Mantenere le lame pulite e affilate. Gli utensili da taglio tenuti in buone condizioni operative e con i bordi taglienti affilati sono meno soggetti a bloccarsi e più facili da controllare.
  - Utilizzare l'elettroutensile e tutti i componenti e gli accessori in conformità con le istruzioni di questo manuale e nella maniera prevista per ciascun tipo di utensile, tenendo conto delle condizioni lavorative e del compito da eseguire. L'utilizzo degli elettroutensili per fini diversi da quelli previsti rappresenta un rischio per le persone.
- Servizio
  - Portare l'utensile da personale qualificato di riparazione per la manutenzione utilizzando esclusivamente pezzi di ricambio originali. Questo farà sì che la sicurezza dello strumento di potere è mantenuto.

# Sicurezza durante l'uso della fresatrice a tasselli



- **I pezzi di tagliati di spine, nonché le lame della giuntatrice di tassellatura, vanno usati alla velocità più bassa indicata sull'attrezzo. I cutter e le lame che operano a una velocità superiore rispetto a quella indicata si potrebbero staccare causando lesioni.**
- **Usare sempre la protezione di sicurezza e gli altri dispositivi di sicurezza presenti all'interno del dispositivo. Questi elementi proteggono l'operatore da frammenti di cutter o di lama oltre che dal contatto non intenzionale con estremità appuntite o denti affilati.**
- **Tenere il dispositivo unicamente per le superfici di impugnatura isolate, quando si stanno eseguendo operazioni in cui lo strumento di taglio potrebbe entrare in contatto col cavo di alimentazione. Il contatto con un cavo "sotto tensione" trasmette la tensione anche alle parti metalliche esposte dell'attrezzo, e potrebbe dunque trasmettere una scossa elettrica all'operatore.**
- **Non consentire alle persone di età inferiore ai 18 anni di utilizzare questo accessorio. Verificare che gli operatori abbiano familiarità con queste istruzioni di funzionamento e di sicurezza.**
- **Qualora sia necessario provvedere alla sostituzione del cavo di alimentazione, sarà opportuno rivolgersi al produttore o al suo agente al fine di evitare pericoli a livello di sicurezza.**
- **Consigliamo caldamente di alimentare sempre il dispositivo tramite un dispositivo di corrente residua con una corrente residua nominale pari o inferiore a 30 mA.**

**AVVERTENZA:** Non usare punte non affilate o danneggiate.

**AVVERTENZA:** Verificare il corretto funzionamento del Sistema di ritrazione della protezione prima dell'uso.



**Indossare una protezione respiratoria adeguata: L'uso di questo strumento può generare sostanze chimiche che contengono polveri; è risaputo che queste ultime possono causare tumore, difetti alla nascita o altri disturbi sul piano riproduttivo. Alcuni tipi di legno contengono conservanti quali ad esempio arseniato di rame e cromo (CCA), che possono essere tossici. In fase di levigatura, trapanatura o taglio di questi materiali consigliamo sempre di prestare estrema attenzione per evitare l'inalazione e limitare al massimo il contatto con la pelle.**

- Avvolgicavo a prolunga utilizzati con questo strumento devono essere completamente srotolati. Sezione minima dei conduttori: 1,0 mm<sup>2</sup>
- Quando si utilizza questo strumento all'aperto, la connessione a un alimentatore di un dispositivo RCD e cavo di estensione minima 1.5 mm<sup>2</sup> con prese d'acqua protetto in buone condizioni
- Assicurarsi che la fresa o la lama sia montata saldamente prima dell'uso. Frese insicure o lame possono essere espulse dalla macchina causando un pericolo
- Attendere sempre che lo strumento è giunto ad un arresto completo prima di metterlo giù
- Quando si usa il trapano, utilizzare attrezzature di sicurezza tra cui occhiali di sicurezza o schermo, cuffie antirumore, e indumenti di protezione e guanti di sicurezza. Indossare una maschera antipolvere se l'operazione di foratura crea polvere
- Assicurarsi che l'illuminazione sia adeguata
- Assicurarsi che la fresa o una lama non sia in contatto con il pezzo prima di avviare lo strumento
- Usare entrambe le mani quando si utilizza questo strumento
- Montare sempre le maniglie ausiliarie fornite con lo strumento a meno che le istruzioni dichiarano espressamente un'eccezione per determinati compiti
- Non mettere sotto pressione lo strumento; ciò possa ridurre la sua durata
- Taglierine e lame possono surriscaldarsi durante il funzionamento, lasciar raffreddare prima di maneggiarle
- Non usare mai le mani per rimuovere segatura, trucioli o rifiuti vicino al taglio o alla lama
- Se si viene interrotti quando si utilizza lo strumento, completare il lavoro e spegnere prima di guardare in alto
- Se possibile, utilizzare pinze o morse per bloccare il vostro lavoro in posizione
- Scollegare sempre lo strumento dalla rete elettrica prima di cambiare una punta

- Esaminare la fresa o la lama di montaggio regolarmente per segni di usura o danneggiamento. Riparate le parti danneggiate presso un centro di assistenza qualificato
- Al termine dei lavori, scollegare lo strumento dalla sorgente di alimentazione
- Controllare periodicamente tutti i dadi, bulloni e altri elementi di fissaggio e stringere se necessario

## Sicurezza su utensili da taglio

**AVVERTENZA.** Prima di collegare un dispositivo a una sorgente di alimentazione (presa di corrente, presa, ecc.) verificare che la tensione corrisponda a quella indicata sulla targhetta del dispositivo. L'uso di una sorgente di alimentazione con tensione superiore a quella indicata per il dispositivo stesso può causare gravi lesioni all'utente oltre che danni al dispositivo stesso. In caso di dubbi, non collegare il dispositivo. L'uso di una sorgente di alimentazione con tensione inferiore a quella indicata sulla targhetta è dannoso per il motore.

### Utilizzare lo strumento da taglio corretto

- Assicurarsi che l'utensile da taglio è adatto per il lavoro. Non date per scontato che lo strumento sia adatto senza controllare la documentazione del prodotto prima dell'uso.

### Protezioni occhi

- Indossare sempre una protezione adeguata per gli occhi quando si utilizzano utensili da taglio
- Occhiali di tutti i giorni non sono progettati per offrire alcuna protezione quando si utilizza questo prodotto; lenti normali non sono resistenti agli urti e potrebbero frantumarsi

### Protezione respiratorie

- Assicurarsi che voi stessi ed altri intorno a te, indossino mascherine antipolvere adatte

### Protezione dell'udito

- Indossare sempre un'adeguata protezione dell'udito quando il rumore dell'utensile supera i 85 dB.

### Essere consapevoli di altri intorno a te

- È la responsabilità dell'utente assicurarsi che altre persone in prossimità dell'area di lavoro non sono esposti a rumori pericolosi o polvere e sono inoltre dotati di idonei dispositivi di protezione

### Attenzione ai rifiuti proiettati

- In alcune situazioni, i rifiuti possono essere proiettati a velocità da taglio. Assicurarsi che non ci siano altre persone all'interno dell'area di lavoro. Se è necessario avere altre persone nelle vicinanze, è responsabilità dell'utente assicurarsi che essi sono dotati con attrezzatura di protezione corretta.

### Montaggio di utensili da taglio

- Garantire che utensili da taglio siano correttamente e saldamente fissati e verificare che chiavi / regolatori sono stati rimossi prima dell'uso
- Utilizzare solo utensili da taglio consigliati per la vostra macchina
- Non tentare di modificare gli utensili da taglio

### Direzione di avanzamento

- Sempre alimentare il lavoro nella lama o fresa contro la direzione del movimento della lama o fresa.

### Attenzione al calore

- Essere consapevoli del fatto che gli utensili e pezzi di lavoro possono surriscaldarsi in uso. Non cercare di cambiare gli strumenti fino a quando non è stato consentito un raffreddamento completo

### Oggetti estranei

- Ispezionare completamente i materiali da taglio per qualsiasi forma di oggetti estranei prima del taglio.
- Non tentare di tagliare il materiale che contiene oggetti estranei, a meno che non si sa che l'utensile da taglio impostato alla vostra macchina è adatta per il lavoro

## Oggetti nascosti

- Attenzione di oggetti nascosti. Pareti possono nascondere cavi e tubazioni, pannelli di carrozzeria può nascondere tubi del carburante, e l'erba alta può nascondere pietre e vetro. Controllare sempre l'area di lavoro a fondo prima di procedere

## Controllo delle polveri / trucioli

- Non permettere a polvere o trucioli di accumularsi. Segatura è un pericolo di incendio, ed alcuni trucioli di metallo sono esplosivi
- Prestare particolare attenzione con macchine usate per tagliare legno e metallo. Scintille da taglio dei metalli sono una causa comune di incendi dalla polvere di legno
- Dove possibile, utilizzare un sistema di aspirazione polvere per garantire un ambiente di lavoro più sicuro

## Familiarizzazione del prodotto

1. Guida
2. Ispettore
3. Maniglia ausiliaria
4. Corpo macchina
5. Maniglia principale
6. Manopola di blocco profundimetro
7. Indicatore di azzeramento
8. Profondimetro
9. Manopola di blocco inclinazione guida
10. Guida d'inclinazione
11. Denti del giga
12. Faccia frontale
13. Perna a presa
14. Staffa dentata
15. Chiave esagonale
16. Manopola di regolazione altezza guida
17. Manopola di blocco regolazione altezza guida
18. Scala di altezza
19. Porta punte
20. Molla di rientro
21. Interruttore On/Off a grilletto
22. Presa anti-polvere

**Accessori in dotazione:** 2 x punte di 8 mm, chiave esagonale e l'adattatore ad estrazione polvere

## Destinazione d'uso

Portatile strumento elettrico che produce costantemente fori distanziati di riferimento per la creazione di giunti in legno.

## Prima dell'uso

### Montaggio di una punta

**ATTENZIONE:** Le punte sono molto taglienti, indossare sempre guanti e maneggiare con cura

1. Ruotare uno dei porta punte (19) fino a quando si ha accesso alla vite di fissaggio (Foto A)
2. Allentare la vite utilizzando la chiave esagonale (15)
3. Tenere la punta in modo che la parte piatta del gambo si allinea con la vite di fissaggio
4. Inserire il gambo fino in fondo nel supporto, e stringere la vite di fissaggio per fissare in posizione
5. Controllare che la punta è fissata saldamente
6. Ripetere la procedura con le altre punte

## Azzeramento del profundimetro

Dopo aver montato le punte, è necessario re-impostare il profundimetro (8) e l'Indicatore di Azzeramento (7) in modo che lo strumento legge correttamente (Foto C)

1. Allentare la manopola di bloccaggio profundimetro (6) abbastanza in modo che il misuratore di profondità possa muoversi liberamente
2. Utilizzare un pezzo scarto di legno posizionato contro la faccia anteriore (12) e spingere il corpo dell'utensile (4) in avanti fino all'arresto, in modo che il punto di taglio della fresa è a livello con la superficie della faccia anteriore. Mantenerlo in questa posizione
3. Spostare il calibro di profondità (8) il più indietro possibile lontano dalla faccia anteriore e poi ri-stringere la manopola di bloccaggio profundimetro, pur mantenendo ancora la posizione in fase 2
4. Allentare e ruotare l'indicatore di azzeramento (7) in modo che il puntatore è al livello '0' sul calibro di profondità poi serrare.
5. Effettuare un controllo finale per garantire che le punte sono a livello con la parte anteriore mentre l'indicatore di azzeramento è a livello '0' sul profundimetro.

**NB:** A seconda delle punte utilizzate, potrebbe già essere molto vicino al livello della faccia anteriore e può aver solo bisogno di minore o forse nessun movimento per le punte ad essere livello con la parte anteriore

**NB:** Non è necessario regolare la posizione del nuovo indicatore di azzeramento fino a quando non si cambiano le punte

## Collegamento di un sistema di aspirazione

1. Impostare spingendo l'adattatore nella porta anti-polvere (22 & Foto B)
2. Collegare il tubo dal sistema di aspirazione all'adattatore polvere e assicurarsi che sia montato in modo sicuro

**NB:** L'adattatore può essere regolato in qualsiasi posizione attraverso l'arco di 180° verso l'operatore

## Impostazione angolo smusso

La guida (1) dispone di 90° viaggio, con trattini per l'impostazione rapida e semplice impostazione a 22.5°, 45° e 67.5°.

Per impostare l'angolo richiesto:

1. Allentare la manopola di bloccaggio guida angolo (9)
2. Ruotare il recinto per l'impostazione angolo richiesto sulla guida ad angolo (10) (Vedi Foto D)
3. Stringere la manopola di blocco guida angolo in modo che la guida sia bloccata in posizione

**NB:** Controllare che la guida sia bloccata in posizione prima della perforazione; in caso contrario si potrebbero causare danni al pezzo o alla macchina se si muove durante l'uso

**NB:** La guida d'inclinazione è solo approssimativa; usare ulteriori strumenti di misura se necessario, per controllare l'angolazione della guida

## Utilizzando l'ispettore

- Le tre linee sul l'ispettore (2) identifica:
  - La linea centrale di ogni punta
  - La linea centrale tra le due punte
- Utilizzare questi segni per allineare con precisione il trapano con i segni di montaggio sul vostro pezzo in lavorazione (Foto G)

**NB:** La giuntatrice di tasselli Triton produce fori distanziati esattamente a 32 mm, rendendo lo un strumento compatibile con la filosofia di ebanisteria 'System 32' - ideale per la creazione di filari ben distanziati di fori nelle pareti

## Regolazione di perforazione profondità

- Il calibro di regolazione profondità (8) consente di impostare una profondità di 0 - 38mm (Foto F)
  - Ogni volta che punte sono modificate o punte nuove vengono montate, l'indicatore di azzeramento (7) e profundimetro (8) devono essere azzerati. Vedere 'Azzeramento del profundimetro' per la guida.
  - Utilizzare la scala sulla guida per impostare la profondità necessaria
1. Allentare la manopola di bloccaggio regolazione profundimetro (6) in modo che il profundimetro può scorrere avanti e indietro
  2. Posizionare il calibro in modo che la profondità necessaria (sulla scala) è allineata con il puntatore sull'indicatore di azzeramento (7)
  3. Stringere la manopola di bloccaggio per fissare la guida di regolazione di profondità nella posizione desiderata. Ciò limita il movimento del corpo utensile e quindi la profondità di foratura al valore massimo da voi impostato

## Regolazione altezza di perforazione

La guida cremagliera e pignone meccanismo di regolazione in altezza permette di regolare l'altezza di foratura da 9mm a 43 mm (Foto G)

1. Allentare la vite di blocco regolazione altezza guida (17)
2. Ruotare la manopola di regolazione altezza della guida (16) per alzare o abbassare la guida
3. Allineare la freccia nera sul meccanismo di regolazione in altezza con l'altezza desiderata sulla scala adiacente (18)
4. Stringere la vite di blocco altezza della guida per fissare la guida (1) all'altezza impostata

## Funzionamento

### Gestione durante la foratura

**Importante:** Usare sempre entrambe le mani durante la foratura. Tenere il corpo della macchina (4) in una mano, con il pollice appoggiato comodamente sull'interruttore On / Off (21) e con l'altra mano tenere la maniglia (3) in modo che l'utensile sia ben mantenuto

### Accensione e spegnimento

- Per avviare la fresatrice a linguette premere l'interruttore On / Off (21)
- Rilasciare l'interruttore On / Off per spegnere

#### NOTE:

- Per guidare i fori nel pezzo, come richiesto, innanzitutto impostare la fresatrice tassellatura in base alle 'Prima dell'uso' istruzioni, e preparare il pezzo (I), marcando a matita in corrispondenza i punti di foratura richiesti
  - È importante che i pezzi vengono accuratamente segnalati. Può essere più facile da montare liberamente i due pezzi insieme esattamente nella posizione desiderata e segnare con una matita su entrambi i pezzi, e quindi praticare i fori. Montare di nuovo liberamente, con i primi 2 tasselli montati, prima di segnare ancora una volta dove i tasselli successivi sono richiesti. Idealmente una posizione centrale nel legno è preferibile per i primi fori di riferimento.
  - C'è poca tolleranza quando si unisce il legno con tasselli, quindi la misurazione accurata è molto importante in ogni momento. I fori più critici sono normalmente quelli ai bordi del pezzo, quindi eventuali errori di posizionamento sono meglio posizionati al centro del legno in cui i fori di riferimento supplementari possono essere aggiunti, se necessario
  - Il pezzo dovrà essere fissato al banco di lavoro, anche se è possibile l'impiego di un tappetino antiscivolo tra la superficie del pezzo e il banco di lavoro sarà sufficiente in alcuni casi
1. Tenere il corpo della macchina con una mano in modo che il dito poggia sull'interruttore On / Off (21)
  2. Allineare le guide sul visualizzatore (2) con i segni di matita sul pezzo e posizionare la fresatrice a tassellatura pronta per guidare i fori (Foto H)
  3. Posizionare la macchina contro il pezzo in modo che la faccia anteriore (10) e la parte inferiore della guida (1) sono completamente a contatto con il pezzo
  4. Premere verso il basso la parte anteriore della guida con le dita dell'altra mano per tenere la macchina in posizione e verificare che non ci siano spazi vuoti sotto la parte anteriore o sul fondo della guida. Rispostare la mano di nuovo sulla maniglia (3) in modo che l'utensile viene mantenuto in modo sicuro

**NB:** Per assicurare lo strumento potrebbe essere necessario applicare pressione sulla guida (1) (Foto H) invece che con il pomello (3) per garantire che l'utensile rimane nella stessa posizione sul legno.

**NB:** Può anche essere necessario applicare pressione se si utilizza un tappetino antiscivolo per fissare il pezzo in lavorazione, che richiede più pressione verso il basso sul pezzo. Farlo solo se hai dimestichezza tenendo l'utensile con una sola mano sul corpo principale. Idealmente entrambe le mani dovrebbero essere utilizzate per mantenere l'apparecchio durante il funzionamento con il pezzo saldamente fissato alla superficie di lavoro per la massima sicurezza.

5. In un movimento fluido, premere l'interruttore On/Off (21) e spingere il corpo della macchina in avanti in modo che le punte penetrano il pezzo (Foto I)
6. Spingere il corpo della macchina in avanti fino in fondo, fino arrestato dal fermo di profondità sulla guida di regolazione profondità (8) per creare i fori desiderati nelle posizioni corrette
7. Mantenendo lo strumento alimentato, permettere al corpo dell'utensile di tornare alla sua posizione originale, rimuovendo le punte dal pezzo. Tenere la macchina con entrambe le mani mentre si esegue questa fase. Una volta che le punte sono stati espulsi dai fori, rilasciare l'interruttore On / Off.

**NB:** La molla di rientro (20) farà sì che il corpo si muove automaticamente alla posizione di riposo, il ritiro delle punte dal pezzo, pur applicando un po' di pressione sulla faccia anteriore e sulla guida. L'operatore deve controllare attentamente l'uscita delle punte, avendo cura di mantenere l'utensile esattamente nella stessa posizione rispetto ai fori

8. Una volta che le punte sono libere dal pezzo e hanno smesso di ruotare, sollevare la macchina dal pezzo

**NB:** Si consiglia di allenarsi prima utilizzando la fresatrice a tassellatura su pezzi di legno di scarto in modo da poter comprendere appieno come funziona

### Posizionamento

- In ordine di praticare i fori corrispondenti nella faccia frontale del pezzo di giuntura, la macchina deve essere posizionata perpendicolare a quella faccia (Foto J)
- Si consiglia di lavorare con la macchina piombando sul pezzo, in modo che il peso della macchina lavora con il senso di marcia, invece di tentare di guidare i fori verso l'alto dal basso del pezzo in lavoro.
- Se è necessario praticare dei fori troppo lontano da un bordo, configurare la fresatrice in modo che sia la guida che la faccia anteriore sono a livello con l'altro. La fresatrice può ora riposare verticalmente su una superficie ed essere posizionata liberamente - anche su pezzi di grandi dimensioni (Foto K). Garantire che l'utensile è sicuro in posizione prima di forare

### Usando una giga o sagoma

La fresatrice è dotata di tasselli a denti dima (11) e una staffa a denti dima (14) che consentono la perforazione veloce di fori quando si utilizza una dima di tasselli o un modello (non in dotazione)

- L'uso di una dima o di tale modello consente una rapida foratura di fori precisi e può accelerare il processo di ebanisteria. È l'ideale anche per la creazione di fori scaffalature a intervalli regolari distanziati
1. Fissare la dima o il modello al pezzo esattamente nella posizione desiderata dopo attenta misurazione
  2. Impostare la fresatrice a tasselli e utilizzare la staffa a denti della giga (14) o i denti del giga (11) con la giga di tasselli o sagoma

**NB:** Assicurarsi che la profondità corretta, d'angolo e d'altezza della guida è impostata

3. Praticare i fori richiesti inserendo i denti coordinati, della fresatrice a tasselli con le fessure dei denti della giga a tassello o del modello, e quindi utilizzare lo strumento come di consueto

**NB:** L'uso di una giga a tassello o una sagoma è l'ideale quando si lavora con la fresatrice configurata per il posizionamento libero su un pezzo di grandi dimensioni sia con la guida e il volto di livello frontale

**NB:** Anche se ci sono dime per botti commerciali disponibili, in alternativa, una giga a tassello o un modello può essere costruito

### Altri Giunti

**NB:** La versatilità di questo strumento va ben al di là di quanto descritto in questo manuale, e questo serve solo come introduzione alle sue caratteristiche e il funzionamento

## Accessori

Una vasta gamma di accessori è disponibile presso i rivenditori Triton. Ricambi possono essere ordinati tramite il rivenditore Triton o [www.toolsparesonline.com](http://www.toolsparesonline.com).

## Manutenzione



**ATTENZIONE:** Scollegare sempre lo strumento dalla presa di corrente, prima di pulire o di effettuare la manutenzione.

- Controllare il cavo di alimentazione dello strumento prima di ogni utilizzo per danni o usura.
- Questo consiglio vale anche per prolunghe utilizzate con questo strumento
- Se è necessaria la sostituzione del cavo di alimentazione, questo deve essere fatto da parte del fabbricante o del suo agente al fine di evitare pericoli per la sicurezza.

### Ispezione generale

- Controllare regolarmente che tutte le viti di fissaggio siano serrate. Essi possono vibrare lentamente nel tempo
- Controllare il cavo di alimentazione dello strumento, prima di ogni utilizzo, per danni o usura. Le riparazioni devono essere eseguite da un centro assistenza autorizzato Triton. Questo consiglio vale anche per prolunghe utilizzate con questo strumento



## Lubrificazione

- Lubrificare tutte le parti mobili con uno spray lubrificante adatto, ad intervalli regolari

## Pulizia

**ATTENZIONE:** Indossare sempre dispositivi di protezione, inclusa la protezione degli occhi e guanti durante la pulizia di questo strumento.

- Mantenere lo strumento pulito in ogni momento. Sporczia e polvere può causare l'usura delle parti interne e potrebbe ridurre la durata del dispositivo
- Pulire il corpo della macchina con una spazzola morbida, o un panno asciutto
- Non utilizzare agenti caustici per pulire le parti in plastica. Se il lavaggio a secco non è sufficiente, si raccomanda un detergente delicato su un panno umido
- L'acqua non deve mai entrare in contatto con l'utensile
- Assicurarsi che lo strumento sia completamente asciutto prima di utilizzarlo
- Se disponibile, utilizzare aria compressa pulita e secca e soffiarla attraverso i fori di ventilazione (se del caso)

## Spazzole

- Nel corso del tempo le spazzole all'interno potrebbero usurarsi
- Spazzole eccessivamente usurate possono causare la perdita di potere, errore intermittente, o scintille visibili
- Per sostituire le spazzole, rimuovere le quattro viti che fissano la maniglia principale (5). Rimuovere le due parti con cura facendo attenzione a non tirare o danneggiare i cavi. Rimuovere le spazzole usurate e sostituirle con un paio nuove. Rimontare l'alloggiamento con attenzione poi inserire e stringere le viti. In alternativa, far eseguire la manutenzione alla macchina presso un centro di assistenza autorizzato Triton.

## Smaltimento

Rispettare sempre le normative nazionali per lo smaltimento di strumenti di potere che non sono più funzionali e non sono vitali per la riparazione.

- Non gettare utensili elettrici, o apparecchiature elettriche ed elettroniche di altri rifiuti (RAEE), con i rifiuti domestici
- Contattare l'autorità locale di smaltimento rifiuti per informazioni sul modo corretto di smaltire utensili elettrici

## Garanzia

Per la registrazione della garanzia visitare il sito web [www.tritontools.com](http://www.tritontools.com)\* e inserire i propri dettagli.

A meno che il proprietario non abbia specificato diversamente, i suoi dettagli saranno inclusi nella lista di distribuzione che sarà utilizzata per inviare regolarmente informazioni sulle novità Triton. I dati personali raccolti saranno trattati con la massima riservatezza e non saranno rilasciati a terze parti.

## Informazioni sull'acquisto

Data di acquisto: \_\_\_ / \_\_\_ / \_\_\_\_

Modello N.: TDJ600 Conservare lo scontrino come prova dell'acquisto

Triton Precision Power Tools garantisce all'acquirente di questo

## Dichiarazione di conformità CE

**Il sottoscritto:** Sig. Darrell Morris

**come autorizzato da:** Silverline Tools

Dichiara che il prodotto:

**Codice di identificazione:** 186171

**Descrizione:** Fresatrice a tasselli

**Si conforma alle seguenti direttive:**

- Direttiva macchine 2006/42/CE
- Direttiva bassa tensione 2006/95/CE
- Direttiva compatibilità elettromagnetica 2014/108/CE
- Direttiva RoHS 2011/65/UE
- EN60745-2-19:2005+A1:2010
- EN60745-1:2009+A11:2010
- EN55014-1:2009+A2:2011
- EN55014-2:1997+A2:2008
- EN61000-3-2:2014
- EN61000-3-3:2013 • EN62321:2009

prodotto che se qualsiasi parte si rivelasse difettoso a causa di materiali difettosi o di fabbricazione entro 3 ANNI dalla data di acquisto originale, Triton riparerà o sostituirà a sua discrezione, la parte difettosa gratuitamente.

Questa garanzia non si applica ad uso commerciale né si estende alla normale usura o danni a seguito di incidenti, abuso o uso improprio.

\* Registrati entro 30 giorni.

Si applicano termini e condizioni.

Ciò non pregiudica i diritti legalto be defecti

**Organismo informato:** TÜV SÜD Product Service

**La documentazione tecnica è mantenuta da:** Silverline Tools

**Data:** 05/05/2015

**Firma:**



Signor Darrell Morris

Amministratore Delegato

**Nome e indirizzo del fabbricante:**

Powerbox International Limited, N° . Società 06897059. Indirizzo registrato..

Powerbox, Boundary Way, Lufton Trading Estate, Yeovil, Somerset BA22 8HZ, Regno Unito.

# Traducción del manual original

## Introducción

Gracias por haber elegido esta herramienta Triton. Estas instrucciones contienen la información necesaria para utilizar este producto de forma segura y eficaz. Lea atentamente este manual para obtener todas las ventajas y características únicas de su nueva herramienta. Conserve este manual a mano y asegúrese de que todas las personas que utilicen esta herramienta lo hayan leído y entendido correctamente.

## Descripción de los símbolos

Los siguientes símbolos pueden aparecer en la placa de características de su herramienta. Estos símbolos representan información importante sobre el producto o instrucciones relativas a su uso.



Lleve protección auditiva  
Lleve protección ocular  
Lleve protección respiratoria  
Lleve un casco de seguridad



Lleve guantes de seguridad



Lea el manual de instrucciones



¡Atención! Cuchillas/dientes muy afilados



No utilizar en ambientes húmedos o bajo la lluvia



Desconecte siempre la herramienta de la toma eléctrica antes de realizar cualquier tarea de mantenimiento, sustituir accesorios o cuando no la esté utilizando.



**ADVERTENCIA:** Los mecanismos móviles de esta herramienta pueden causar cortes y lesiones personales



¡Peligro!



Protección clase II (doble aislamiento para mayor protección)



### Protección medioambiental

Los productos eléctricos usados no se deben mezclar con la basura convencional. Están sujetos al principio de recogida selectiva. Solicite información a su ayuntamiento o distribuidor sobre las opciones de reciclaje.



Conforme a las normas de seguridad y la legislación correspondiente.

## Abreviaturas de términos técnicos

V	Voltio/s
~, AC	Corriente alterna
A, mA	Amperio/s, miliamperio/s
n <sub>0</sub>	Velocidad sin carga
n	Diámetro
A <sub>0</sub>	Grados
°	Longitud de onda
Ø	Diameter
Hz	Hercio/s
— — —, DC	Corriente continua
W, kW	Vatio/s, kilovatio/s
/min or min <sup>-1</sup>	(Revoluciones/ oscilaciones) por minuto
λ	Amperios por hora (Capacidad de la batería)
dB(A)	Nivel de decibelios (Ponderada A)
m/s <sup>2</sup>	Metros cuadrados por segundo (vibración)

## Características técnicas

<b>Modelo:</b>	TDJ600
<b>Tensión:</b>	220 - 240V - 50/60Hz
<b>Potencia de entrada:</b>	710 W
<b>Velocidad sin carga:</b>	17.000 min <sup>-1</sup>
<b>Espaciado entre brocas:</b>	32 mm (1-1/4 ")
<b>Profundidad de perforación:</b>	0 - 38 mm (0 - 1-1/2")
<b>Diámetro de la broca:</b>	Ø 6 - 10 mm
<b>Capacidad de inclinación de la guía:</b>	0 - 90°
<b>Ajuste de altura:</b>	9 - 43 mm (23/64" - 1-11/16")
<b>Clase de protección:</b>	
<b>Longitud del cable de alimentación:</b>	3 m (9' 10")
<b>Dimensiones (L x An x A):</b>	470 x 155 x 220 mm (18-1/2 x 6 x 8-5/8")
<b>Peso neto:</b>	2,8 kg (6.2 lbs)

Como parte de nuestra política de desarrollo de productos, los datos técnicos de los productos Triton pueden cambiar sin previo aviso.

- Las medidas imperiales son aproximadas.

### Información sobre ruido y vibración:

<b>Presión acústica L<sub>pa</sub>':</b>	88,4 dB(A)
<b>Potencia acústica L<sub>wa</sub>':</b>	99,4 dB(A)
<b>Incertidumbre k:</b>	3 dB
<b>Vibración ponderada a<sub>w</sub>':</b>	2,584 m/s <sup>2</sup>
<b>Incertidumbre k:</b>	1,5 m/s <sup>2</sup>

El nivel de intensidad sonora para el usuario puede exceder de 85 dB(A). Se recomiendan usar medidas de protección sonora.

**ADVERTENCIA:** Utilice siempre protección auditiva cuando el nivel ruido exceda 85 dB(A) o cuando esté expuesto durante largos periodos de tiempo. Si por algún motivo nota algún tipo de molestia auditiva incluso llevando orejeras de protección, detenga inmediatamente la herramienta y compruebe que las orejeras de protección estén colocadas adecuadamente. Asegúrese de que el nivel de atenuación y protección de las orejeras sea adecuado dependiendo del tipo de herramienta y el trabajo a realizar.

**ADVERTENCIA:** La exposición a la vibración durante la utilización de una herramienta puede provocar pérdida del sentido del tacto, entumecimiento, hormigueo y disminución de la capacidad de sujeción. La exposición durante largos periodos de tiempo puede provocar enfermedad crónica. Si es necesario, limite el tiempo de exposición a la vibración y utilice guantes anti-vibración. No utilice la herramienta cuando sus manos estén muy frías, las vibraciones tendrán un mayor efecto. Utilice los datos técnicos de su herramienta para evaluar la exposición y medición de los niveles de ruido y vibración.

Los niveles de vibración y ruido están determinados por la directiva EN60745 y otras directivas internacionales similares. Los datos técnicos se refieren al uso normal de la herramienta en condiciones normales. Una herramienta defectuosa, mal montada o desgastada puede incrementar los niveles de ruido y vibración. Para más información sobre ruido y vibración, puede visitar la página web [www.osha.europa.eu](http://www.osha.europa.eu)

## Instrucciones de seguridad relativas a las herramientas eléctricas

**ADVERTENCIA:** Lea siempre el manual de instrucciones y las advertencias de seguridad.

*No seguir estas advertencias e instrucciones puede causar descargas eléctricas, incendios y/o lesiones graves.*

**ADVERTENCIA:** No permita que los niños, personas discapacitadas o personas no cualificadas utilicen esta herramienta. Mantenga esta herramienta fuera del alcance de los niños.

Conserve estas instrucciones de seguridad para futura referencia.

La expresión "herramienta eléctrica" se refiere a su herramienta alimentada por corriente eléctrica (herramienta alámbrica) o una herramienta eléctrica alimentada por baterías (herramienta inalámbrica).

### 1) Seguridad en el área de trabajo

- Mantenga el área de trabajo limpia y bien iluminada.** Las áreas de trabajo desordenadas y oscuras son peligrosas y pueden provocar un accidente.
- No utilice herramientas eléctricas en atmósferas explosivas que contengan líquidos, gases o polvos inflamables.** Las herramientas eléctricas producen chispas que pueden encender el polvo o los vapores.
- Mantenga alejados a los niños y personas que se encuentren a su alrededor mientras esté trabajando con una herramienta eléctrica.** Las distracciones pueden hacerle perder el control de la herramienta.

### 2) Seguridad eléctrica

- El enchufe de la herramienta eléctrica debe coincidir con la toma de corriente. No modifique nunca el enchufe de ninguna manera. No utilice ningún adaptador de enchufe sin toma de tierra.** Los enchufes si modificar y el uso de tomas de corrientes adecuadas reducirán el riesgo de descargas eléctricas.
- Evite el contacto con materiales conductores tales como tuberías, radiadores, estufas y refrigeradores.** El riesgo de descarga eléctrica se incrementa si su cuerpo está expuesto a materiales conductores.
- No exponga las herramientas eléctricas a la lluvia o la humedad.** El contacto de agua en una herramienta eléctrica aumentará el riesgo de descargas eléctricas.
- No doble el cable de alimentación. No use nunca el cable de alimentación para transportar la herramienta eléctrica, tirar de ella o desenchufarla.** Mantenga el cable de alimentación alejado de fuentes de calor, aceite, bordes afilados o de las piezas móviles. Los cables de alimentación dañados o enredados aumentan el riesgo de descargas eléctricas.
- Use un cable de extensión adecuado para exteriores cuando utilice una herramienta eléctrica en áreas exteriores.** La utilización de un cable adecuado para exteriores reducirá el riesgo de descargas eléctricas.
- Si es inevitable trabajar con una herramienta eléctrica en lugares húmedos, use un suministro protegido por un interruptor diferencial o disyuntor por corriente diferencial o residual (RCD).** El uso de un RCD reduce el riesgo de descargas eléctricas.
- Cuando utilice esta herramienta en Australia o Nueva Zelanda, se recomienda conectar esta herramienta en tomas de corriente protegida con dispositivo de protección de corriente diferencial residual de 30 mA o inferior.**

### 3) Seguridad personal

- Manténgase alerta, fíjese en lo que está haciendo y use el sentido común cuando esté utilizando una herramienta eléctrica. No use una herramienta eléctrica si se encuentra cansado o bajo la influencia de drogas, alcohol o medicamentos.** Un momento de distracción mientras esté utilizando una herramienta eléctrica puede provocar lesiones corporales graves.
  - Utilice siempre equipo de protección personal. Use siempre protección ocular.** El uso de dispositivos de seguridad personal (máscara anti-polvo, calzado de seguridad antideslizante, casco resistente y protecciones auditivas adecuadas) reducirá el riesgo de lesiones corporales.
  - Evite el arranque accidental. Asegúrese de que el interruptor está en la posición de apagado antes de enchufar la herramienta.** No transporte herramientas con el dedo en el interruptor o con el interruptor encendido, podría ocurrir un accidente.
  - Retire todas las llaves de ajuste antes de encender la herramienta eléctrica.** Una llave enganchada en una parte móvil de la herramienta eléctrica puede causar lesiones graves.
  - No adopte posturas forzadas. Manténgase en posición firme y en equilibrio en todo momento.** De este modo, podrá controlar mejor la herramienta eléctrica en situaciones inesperadas.
  - Vístase adecuadamente. No lleve ropa holgada ni joyas.** Mantenga el pelo, la ropa y guantes alejados de las piezas móviles. La ropa holgada, las joyas o el pelo largo pueden quedar atrapados en las piezas móviles.
  - Cuando utilice esta herramienta en Australia o Nueva Zelanda, se recomienda conectar esta herramienta en tomas de corriente protegida con dispositivo de protección de corriente diferencial residual de 30 mA o inferior.**
- ### 4) Uso y mantenimiento de las herramientas eléctricas
- No fuerce la herramienta eléctrica. Utilice la herramienta eléctrica de forma adecuada.** Utilice su herramienta únicamente para la tarea que haya sido destinada.
  - No use la herramienta eléctrica si el interruptor no la enciende o la apaga.** Toda herramienta eléctrica que no se pueda controlar mediante el interruptor es peligrosa y debe ser reparada inmediatamente.
  - Desenchufe la herramienta o retire la batería antes de realizar cualquier ajuste, cambiar accesorios o almacenar la herramienta.** Estas medidas de seguridad preventivas evitarán el arranque accidental de su herramienta eléctrica.
  - Guarde siempre las herramientas eléctricas fuera del alcance de los niños.** No permita que las personas que no estén familiarizadas con estas instrucciones utilicen la herramienta. Las herramientas eléctricas son peligrosas en manos de personas que no estén capacitadas para su uso.
  - Revise regularmente sus herramientas eléctricas.** Compruebe que no haya piezas en movimiento mal alineadas o trabadas, piezas rotas o cualquier otro problema que pueda afectar el funcionamiento de la herramienta eléctrica. Si hay alguna pieza dañada, repare la herramienta antes de volver a utilizarla. Muchos accidentes son causados por herramientas eléctricas que carecen de un mantenimiento adecuado.
  - Las herramientas de corte deben estar siempre afiladas y limpias.** Las herramientas de corte correctamente afiladas son menos propensas a trabarse y son más fáciles de controlar.
  - Utilice la herramienta eléctrica y los accesorios siguiendo el manual de instrucciones y teniendo en cuenta las condiciones y el trabajo que necesite realizar.** El uso de la herramienta eléctrica con un propósito distinto al cual ha sido diseñada, podría ser peligroso.
- ### 5) Mantenimiento y reparación
- Repare siempre su herramienta eléctrica en un servicio técnico autorizado.** Utilice únicamente piezas de recambio idénticas y homologadas. Esto garantizará un funcionamiento óptimo y seguro de su herramienta eléctrica.

# Instrucciones de seguridad para ensambladoras de espiga



**¡ADVERTENCIA!**

- **Utilice siempre brocas recomendadas por el fabricante o conformes a las especificaciones de su herramienta, incluida la compatibilidad en tamaño y velocidad.** Las brocas incompatibles pueden ser peligrosas y salir despedidas violentamente.
- **Utilice siempre los protectores y elementos de seguridad de esta herramienta.** Estos mecanismos de seguridad están diseñados para proteger al usuario durante el funcionamiento de la herramienta.
- **No permita que las personas menores de 18 años utilicen esta herramienta.** Lea atentamente el manual de instrucciones antes de usar esta herramienta.
- **Sujete la herramienta por las empuñaduras aisladas cuando utilice esta herramienta donde puedan haber cables bajo tensión ocultos.** El contacto del accesorio con un cable bajo tensión podría provocar descargas eléctricas al usuario.
- **El cable de alimentación deberá ser sustituido solamente por un servicio técnico autorizado o por el fabricante.**
- **Se recomienda conectar esta herramienta a tomas de corriente protegida con dispositivo de protección de corriente diferencial residual de 30 mA o inferior.**

**ADVERTENCIA:** Nunca utilice brocas desgastadas o dañadas.

**ADVERTENCIA:** Compruebe que el protector funcione correctamente antes de utilizar la herramienta.



**Utilice siempre protección respiratoria:** Uso de esta herramienta puede generar polvo que contiene productos químicos que pueden provocar cáncer, defectos congénitos y otros daños reproductivos. Algunos tipos de maderas contienen conservantes altamente tóxicos como el arseniato de cobre cromado (CCA). Tenga especialmente precaución al lijar, perforar o cortar este tipo de materiales. Evite la inhalación y el contacto directo con la piel.

- Los cables de extensión deben estar completamente desenrollados. El cable alargador debe tener una sección transversal mínima de 1 mm<sup>2</sup>.
- Cuando se utilice esta herramienta al aire libre, conéctela a una fuente de alimentación equipada con un dispositivo RCD (interruptor diferencial) y un cable de extensión con sección transversal de 1,5 mm<sup>2</sup> con enchufes protegidos contra el agua y en buen estado de funcionamiento.
- Asegúrese de que la broca esté colocada firmemente. Las brocas que no se hayan fijado correctamente pueden salir expulsadas violentamente fuera de la herramienta y provocar lesiones al usuario.
- Espera siempre hasta que la broca se detenga por completo antes de dejar la herramienta.
- Utilice siempre equipo de protección adecuado como guantes, gafas protectoras o protectores para el oído. Lleve máscara protectora para protegerse del polvo.
- Asegúrese de que el área de trabajo esté suficientemente iluminada.
- Asegúrese de que la broca esté en contacto con la pieza de trabajo antes de comenzar a perforar.
- Utilice ambas manos para sujetar la herramienta cuando esté funcionando.
- Siempre que sea posible, utilice las empuñaduras auxiliares.
- No presione excesivamente la herramienta, podría acortar su vida útil.
- Las brocas se calientan durante el uso de esta herramienta, déjelas enfriar antes de sustituirlas.
- Nunca use sus manos para quitar impurezas y restos de madera.
- Nunca se distraiga, desconecte siempre la herramienta antes de realizar otra tarea.
- Siempre que sea posible, sujete la pieza de trabajo con abrazaderas o en un tornillo de banco.
- Desenchufe siempre la herramienta antes de cambiar un accesorio.
- Examine la herramienta con regularidad y compruebe que no esté desgastada o dañada. Repare las piezas dañadas en un servicio técnico autorizado.
- Espera siempre hasta que la broca se detenga por completo antes de dejar la herramienta.
- Examine periódicamente todos los tornillos y elementos de fijación de su herramienta y apriételos si es necesario.

# Instrucciones de seguridad para herramientas de corte

**ADVERTENCIA:** Antes de conectar esta herramienta a la red eléctrica, asegúrese de que la tensión eléctrica sea la misma que el especificada en la placa de datos indicada en esta herramienta. No conecte esta herramienta a una fuente con una tensión inadecuada, podría dañar gravemente la herramienta y al usuario. Si tiene alguna duda, no enchufe la herramienta. Utilizar una fuente con un voltaje inferior al valor nominal indicado en la placa de datos será perjudicial para el motor.

## Use la herramienta de corte adecuada

- Asegúrese de que la herramienta de corte sea la adecuada para el trabajo a realizar. No utilice esta herramienta sin haber leído antes toda la documentación suministrada con el producto.

## Protéjase los ojos

- Póngase protección adecuada cuando utilice herramientas de corte.
- Las gafas convencionales no están diseñadas para usar con este producto. Este tipo de gafas no son resistentes a los impactos, usarlas podría causarle lesiones graves.

## Protéjase los oídos

- Utilice siempre protección acústica adecuada cuando el ruido producido por la herramienta supere los 80 dB.

## Protéjase las vías respiratorias

- Asegúrese de que el usuario, así como las personas de su alrededor, utilicen siempre mascarillas adecuadas contra el polvo.

## Protéjase las manos

- Nunca coloque sus manos cerca del accesorio de corte. Utilice siempre empujadores cuando vaya a cortar piezas de trabajo pequeñas.

## Tenga en cuenta a las personas que le rodean

- Es responsabilidad del usuario asegurarse de que las personas próximas al área de trabajo no estén expuestas al ruido o al polvo excesivo. Asegúrese de que todas las personas que se encuentren cerca del área de trabajo lleven equipo protector adecuado.

## Objetos extraños

- Inspeccione el material a cortar y asegúrese de que no hay objetos extraños (clavos, etc.) antes de empezar a cortar.
- No corte ningún material que tenga objetos extraños, excepto si está seguro de que el accesorio de corte montado en la máquina es adecuado para ello.
- En las paredes puede haber cables y tuberías no visibles, los paneles de la carrocería de los vehículos pueden esconder tubos de combustible, y en la hierba crecida puede haber piedras y trozos de cristal. Inspeccione siempre a fondo la zona de trabajo antes de empezar a cortar.

## Atención al material que sale despedido

- En algunas situaciones, el material puede salir despedido de la herramienta de corte a gran velocidad. Asegúrese de que no haya otras personas en la zona de trabajo. Si es necesaria la presencia de otras personas, es responsabilidad del usuario asegurarse de que lleven equipo protector adecuado.

## Montaje de los accesorios de corte

- Asegúrese de que los accesorios de corte estén montados correctamente y de retirar las llaves o ajustadores antes de empezar a cortar.
- Use sólo los accesorios de corte recomendados para su máquina.
- No intente modificar los accesorios de corte.

## Dirección de corte

- Introduzca el material a cortar hacia la hoja o cortadora, y sólo en sentido contrario al movimiento de la cuchilla o cortadora.

## Tenga cuidado con las partes calientes

- Recuerde que los accesorios de corte y el material a cortar pueden calentarse durante el uso. No intente cambiar los accesorios hasta que se hayan enfriado completamente.

## Control de polvo y residuos

- No deje que se acumulen el polvo o las virutas. El serrín supone un riesgo de incendio y algunas virutas metálicas pueden ser explosivas.
- Tenga un cuidado especial cuando corte madera y metal. Las chispas que produce el corte de metal son causa habitual de incendios producidos donde hay serrín.
- Siempre que sea posible, use un sistema de extracción de polvo para asegurarse de que trabaja en un entorno seguro.

## Características del producto

1. Guía de taladrado
2. Visor
3. Empuñadura auxiliar
4. Cuerpo de la herramienta
5. Empuñadura principal
6. Perilla de ajuste de profundidad
7. Indicador de puesta a cero
8. Tope de profundidad
9. Perilla de bloqueo del ángulo de la guía
10. Guía de ángulos
11. Peine
12. Cara frontal
13. Almohadillas antideslizantes
14. Peine de la guía de ángulos
15. Llave hexagonal
16. Perilla de ajuste de altura
17. Perilla de bloqueo de altura
18. Escala de altura
19. Portabrocas
20. Muelle
21. Interruptor de encendido/apagado
22. Salida de extracción de polvo

**Accesorios suministrados:** 2 brocas de 8 mm diámetro, llave hexagonal y adaptador recoge polvo.

## Aplicaciones

Herramienta eléctrica para realizar ensamblajes de espiga en madera.

### Instalación de las brocas

**ADVERTENCIA:** Las brocas suelen estar muy afiladas; lleve siempre guantes de protección y manéjelas con cuidado.

1. Gire uno de los portabrocas (19) hasta que tenga acceso al tornillo de sujeción (imagen A).
2. Afloje el tornillo con la llave hexagonal (15) suministrada.
3. Sujete la broca de modo que la parte plana del vástago quede alineada con el tornillo de sujeción.
4. Inserte la broca en el portabrocas y apriete el tornillo de sujeción para fijarla firmemente.
5. Compruebe que la broca esté bien colocada.
6. Repita el mismo procedimiento con la otra broca.

### Ajuste del tope de profundidad a cero

Después de colocar las brocas, es necesario volver a configurar el tope de profundidad (8) y el indicador de puesta a cero (7) para que la lectura sea correcta (Imagen C).

1. Afloje la perilla de ajuste de profundidad (6) y coloque la guía para se pueda mover libremente.
2. Utilice un trozo de madera desechable y colóquela contra la cara frontal (12), mueva el cuerpo de la herramienta (4) hacia delante hasta estén al ras con la superficie de la cara frontal. Manténgala en esta posición.

**Nota:** Dependiendo del tipo de broca esté utilizando, puede que no necesite ajustarla o simplemente puede necesitar un mínimo ajuste.

3. Empuje el tope de profundidad (8) lo más lejos posible en la dirección opuesta a la cara frontal y vuelva a apretar la perilla de ajuste profundidad.
4. Ajuste y gire el indicador de puesta a cero (7) para que quede alineado con la posición cero del tope de profundidad.
5. Compruebe que las brocas estén alineadas correctamente con la cara frontal y que el indicador de puesta a cero marque "0".

**Nota:** Únicamente necesitará volver a ajustar el indicador de puesta a cero cuando cambie las brocas.

### Montaje de un sistema de extracción de polvo

1. Coloque el adaptador en el orificio de la salida de extracción de polvo (22) (imagen B).
2. Conecte la manguera del sistema de extracción de polvo (por ejemplo una aspiradora) al adaptador de polvo y asegúrese de que está fijada de forma segura.

**Nota:** El adaptador puede ajustarse a cualquier posición a través del arco de 180° hacia el usuario.

### Ajuste del ángulo de la guía

La guía de taladrado (1) tiene un recorrido de 90°, con indentaciones para un ajuste rápido y fácil en 22,5°, 45° y 67,5°.

Para ajustar el ángulo requerido:

1. Afloje la perilla de bloqueo del ángulo de la guía (9).
2. Ajuste la guía de taladrado en el ángulo deseado en la guía de ángulos (10) (imagen D).
3. Apriete la perilla de bloqueo del ángulo de la guía de taladrado para fijarla en posición.

**Nota:** Compruebe que la guía ha quedado fijada con toda seguridad en su posición antes de realizar cualquier tipo de perforación; el incumplimiento con lo anterior podría resultar en daños a la pieza de trabajo.

**Nota:** Las graduaciones de la guía de ángulos son solamente aproximadas. Utilice herramientas adicionales para comprobar que el ángulo sea el correcto.

### Uso el visor

- Las tres líneas en el visor (2) identifican:
  - La línea central de cada broca
  - La línea central entre las dos brocas.
- Utilice estas marcas para alinear con precisión el taladro con las marcas de configuración sobre la pieza de trabajo (Imagen G).

**Nota:** La ensambladora de espigas Triton crea agujeros espaciados exactamente a 32 mm (de centro a centro), haciendo que la herramienta sea compatible con la técnica de carpintería "Sistema 32 para la construcción de armarios" - ideal para la creación de filas de agujeros perfectamente espaciados en armarios.

### Ajuste de profundidad de perforación

- El tope de profundidad (8) le permite establecer una profundidad de perforación de 0 – 38 mm (Imagen F) (0 – 1-1/2" en modelo EUA).
  - Siempre que se cambien o coloquen nuevas brocas, el indicador de puesta a cero (7) y el tope de profundidad (8) tendrá que ajustarse a cero. Consulte la sección sobre "Poner a cero el tope de profundidad".
  - Utilice la escala de la guía para establecer la profundidad necesaria.
1. Afloje la perilla de ajuste de profundidad (6) para deslizarla hacia adelante y hacia atrás.
  2. Mueva la escala hasta que quede alineada con la flecha central en el indicador de puesta a cero (7).
  3. Apriete la perilla de bloqueo para asegurar la escala en la posición requerida. Esto limitará el movimiento de la herramienta y la profundidad de perforación al valor máximo ajustado.

### Ajuste de la altura de perforación

El mecanismo de cremallera y piñón de ajuste de la altura de la guía permite ajustar la altura de perforación entre 9 y 43 mm (Imagen G) (23/64" – 1-11/16" en modelo EUA).

1. Afloje la perilla de bloqueo de altura (17).
2. Afloje la perilla de ajuste de altura (16) para subir o bajar la guía.
3. Alinee la flecha negra en el mecanismo de ajuste de altura con la altura requerida en la escala de altura (18).
4. Apriete el tornillo de bloqueo de la altura de la guía para asegurar o fijar la guía (1) a la altura requerida.

# Instrucciones de funcionamiento

**IMPORTANTE:** Utilice siempre ambas manos al perforar. Sujete el cuerpo de la herramienta (4) con una mano, con el pulgar apoyado cómodamente sobre el interruptor de encendido/apagado (21) y la empuñadura auxiliar (3) con la otra mano (Imagen I).

## Encendido y apagado

1. Para activar la ensambladora, ariete el interruptor de encendido/apagado (21) y deslicelo hacia delante en la posición "ON".
2. Para apagarla, suelte el interruptor de encendido/apagado.

### Notas:

- Para poder taladrar agujeros en la pieza de trabajo según se requiera, configure la ensambladora según las instrucciones de la sección "Antes de usar". Marque la posición de los agujeros con lápiz en la pieza de trabajo.
  - Es importante marcar previamente la superficie de trabajo. También puede ser de gran utilidad sujetar las dos piezas de trabajo en la posición requerida, marcar y realizar los agujeros. Cuando realice los primeros agujeros, coloque la ensambladora en el centro de la pieza de trabajo.
  - Existe una pequeña tolerancia al realizar una junta con espiga, por ello la precisión a la hora de realizar los agujeros es un factor muy importante. Los agujeros con más dificultad son los situados en las esquinas de la pieza de trabajo.
  - La pieza de trabajo deberá sujetarse en un banco de trabajo, también puede utilizar una almohadilla antideslizante entre la pieza de trabajo y el banco de trabajo.
1. Sujete el cuerpo de la herramienta con una mano, con el pulgar apoyado sobre el interruptor de encendido/apagado (21).
  2. Alinee las líneas en el visor (2) con las marcas previamente trazadas en la pieza de trabajo y coloque la ensambladora en posición para taladrar los agujeros (Imagen H).
  3. Presione la máquina firmemente contra la pieza de trabajo para que la cara frontal (10) y la parte de debajo de la guía de taladrado (1) estén ambas completamente en contacto con la pieza de trabajo.
  4. Presione hacia abajo en la guía con los dedos de su otra mano para sujetar la máquina en posición y compruebe que no existan espacios debajo de la cara frontal o debajo de la guía.

**Nota:** Puede que necesite presionar la guía de taladro (1) (imagen H) ligeramente en vez de sujetar solamente la herramienta por la empuñadura auxiliar (3) para que los pasadores de sujeción puedan agarrarse a la pieza de trabajo.

**Nota:** Puede que también necesite presionar la guía de taladro cuando utilice una almohadilla antideslizante. Se recomienda siempre sujetar la herramienta con ambas manos y la pieza de trabajo firmemente en la superficie de trabajo.

5. Realice un movimiento suave, apriete el interruptor de encendido/apagado (21) y empuje el cuerpo de la herramienta hacia adelante para que las brocas penetren en la pieza de trabajo (Imagen I).
6. Empuje el cuerpo de la herramienta hacia adelante todo lo que sea posible, hasta que se detenga por el tope de profundidad (8) para realizar los agujeros en la posición correcta.
7. Retire la herramienta de la pieza de trabajo mientras esté en funcionamiento sujetándola con ambas manos.
8. Apague la herramienta mediante el interruptor de encendido/apagado (21) una vez que las brocas estén fuera de la pieza de trabajo.

**Nota:** El muelle (20) provocará que cuerpo de la herramienta se mueva automáticamente hacia atrás su posición inicial, retirando las brocas de la pieza de trabajo. Asegúrese de mantener la herramienta en posición recta al retirar las brocas de los agujeros.

9. Una vez que las brocas estén fuera de la pieza de trabajo y hayan dejado de girar, levante la herramienta para retirarla de la pieza de trabajo.

**NOTA:** Se recomienda practicar antes en un trozo de material desechable.

## Posicionamiento

- Con el fin de perforar los agujeros correspondientes en la cara de la pieza a ensamblar, la máquina debe colocarse perpendicular a la cara (Imagen J).
- Se recomienda trabajar aplicando presión hacia abajo sobre la pieza de trabajo, para que el peso de la máquina trabaje con la dirección de la operación en vez de intentar taladrar agujeros hacia arriba desde abajo o desde la parte inferior de la pieza de trabajo.

- Si por alguna razón necesita realizar agujeros alejados del borde, ajuste la herramienta para que la guía de taladrado y la cara frontal estén igualmente alineadas, de esta manera podrá apoyar la herramienta en posición vertical (Imagen K).

## Uso de plantillas

Esta herramienta está equipada con un peine (11) en la cara frontal y un peine en la guía de ángulos (14) para una configuración rápida y fácil que le permitirá utilizar una plantilla (no incluida) para realizar múltiples juntas a lo largo de una pieza de trabajo (Imagen Q).

- Utilizar una plantilla le ayudará a realizar agujeros en estanterías o armarios con precisión y rapidez
1. Sujete la plantilla con la pieza de trabajo en posición para que los dientes del peine puedan engancharse con la plantilla.
  2. Ajuste la herramienta para utilizar el peine de la guía de ángulos (14) o el peine (11) de la cara frontal con su plantilla.

**Nota:** Ajuste la herramienta para realizar agujeros a la profundidad requerida.

3. Utilice el peine con la plantilla en intervalos espaciados regulares para realizar una serie de agujeros con precisión.

**Nota:** Utilizar una plantilla para realizar ensamblajes es ideal cuando la herramienta esté ajustada en modo libre para trabajar con piezas de gran tamaño.

**Nota:** Usted puede utilizar plantillas prefabricadas o realizar la suya propia.

## Realizar otro tipo de juntas

**Nota:** Esta herramienta está capacitada para realizar gran variedad de ensamblajes no explicados en este manual.

## Accesorios

Existen gran variedad de accesorios para esta herramienta disponibles en su distribuidor Triton más cercano o a través de [www.tools paresonline.com](http://www.tools paresonline.com)

## Mantenimiento



**ADVERTENCIA:** Desconecte siempre la herramienta de la toma de corriente antes de cambiar o sustituir cualquier accesorio, instalar una herramienta o realizar cualquier ajuste.

## Inspección general

- Compruebe regularmente que todos los tornillos y elementos de fijación estén bien apretados. Con el paso del tiempo pueden vibrar y aflojarse.
- Inspeccione el cable de alimentación antes de utilizar esta herramienta y asegúrese de que no esté dañado.

## Lubricación

- Aplique regularmente spray lubricante en las piezas móviles

## Limpieza

**ADVERTENCIA:** Utilice SIEMPRE guantes y protección ocular cuando limpie esta herramienta.

- Mantenga la herramienta siempre limpia. La suciedad y el polvo pueden dañar y reducir la vida útil su herramienta.
- Utilice un cepillo suave o un paño seco para limpiar la herramienta.
- Nunca utilice agentes cáusticos para limpiar las piezas de plástico. Se recomienda utilizar un paño humedecido con un detergente suave.
- Nunca deje que el agua entre en contacto con la herramienta.
- Asegúrese de que la herramienta esté completamente seca antes de utilizarla.
- Si dispone de un compresor de aire comprimido, sople con aire seco y limpio para limpiar los orificios de ventilación.

## Sustitución de las escobillas

- Con el tiempo, las escobillas de carbono del motor se desgastarán.
- Si las escobillas se han desgastado excesivamente, el rendimiento del motor puede disminuir, la herramienta tal vez no arranque o quizás observe una excesiva presencia de chispas.
- Para sustituir las escobillas, retire las tapas de acceso a las escobillas situadas en cada lado de la herramienta. Retírelas y sustitúyelas por unas nuevas. Vuelva a colocar las tapas de las escobillas. Si tiene dudas sobre como sustituir las escobillas, lleve la herramienta a un servicio técnico autorizado.

# Reciclaje

Deshágase siempre de las herramientas eléctricas adecuadamente respetando las normas de reciclaje indicadas en su país.

- No deseche las herramientas y aparatos eléctricos junto con la basura convencional. Recíclelos siempre en puntos de reciclaje.
- Póngase en contacto con la autoridad local encargada de la gestión de residuos para obtener más información sobre cómo reciclar este tipo de herramientas correctamente.

## Garantía

Para registrar su garantía, visite nuestra página Web en [www.tritontools.com](http://www.tritontools.com)\* e introduzca sus datos personales.

Estos datos serán incluidos en nuestra lista de direcciones (salvo indicación contraria) de manera que pueda recibir información sobre nuestras novedades. Sus datos no serán cedidos a terceros.

## Recordatorio de compra

Fecha de compra: \_\_\_ / \_\_\_ / \_\_\_

Modelo: TDJ600 Conserve su recibo como prueba de compra.

## Declaración de conformidad CE

El abajo firmante: Mr Darrell Morris

Autorizado por: Silverline Tools

Declara que el producto:

**Código de identificación:** 186171

**Descripción:** Ensambladora de espigas

**Está en conformidad con las directivas:**

- Directiva de máquinas 2006/42/CE
- Directiva de baja tensión 2006/95/CE
- Compatibilidad electromagnética 2014/108/CE
- Directiva RoHS 2011/65/UE
- EN60745-2-19:2005+A1:2010
- EN60745-1:2009+A11:2010
- EN55014-1:2009+A2:2011
- EN55014-2:1997+A2:2008
- EN61000-3-2:2014
- EN61000-3-3:2013 • EN62321:2009

Las herramientas Triton disponen de un periodo de garantía de 3 años una vez haya registrado el producto en un plazo de 30 días contados a partir de la fecha de compra. Si durante ese período apareciera algún defecto en el producto debido a la fabricación o materiales defectuosos, Triton se hará cargo de la reparación o sustitución del producto adquirido. Esta garantía no se aplica al uso comercial por desgaste de uso normal, daños accidentales o por mal uso de esta herramienta.

\* Registre el producto online en un plazo de 30 días contados a partir de la fecha de compra.

Se aplican los términos y condiciones.

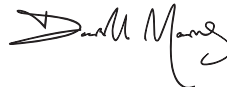
Esto no afecta a sus derechos legales.

**Organismo notificado:** TÜV SÜD Product Service

**La documentación técnica se conserva en:** Silverline Tools

**Fecha:** 05/05/15

**Firma:**



Mr Darrell Morris

Director General

**Nombre y dirección del fabricante:**

Powerbox International Limited, N° de registro: 06897059. Dirección legal:  
Powerbox, Boundary Way, Lufton Trading Estate, Yeovil, Somerset BA22 8HZ,  
Reino Unido.

# Tradução das instruções originais

## Introdução

Obrigado por comprar esta ferramenta Triton. Este manual contém as informações necessárias para a operação segura e eficiente deste produto. Este produto apresenta recursos exclusivos, e mesmo que você esteja familiarizado com produtos similares, é necessário ler o manual cuidadosamente para garantir que as instruções sejam totalmente entendidas. Assegure-se de que todos os usuários desta ferramenta leiam e compreendam totalmente o manual.

## Descrição dos símbolos

A placa de identificação de sua ferramenta poderá apresentar alguns símbolos. Estes indicam informações importantes sobre o produto, ou instruções sobre seu uso.



Use proteção auricular  
Use proteção ocular  
Use proteção respiratória  
Use proteção de cabeça



Use proteção nas mãos



Leia o manual de instruções



Aviso: Lâminas ou dentes afiados!



NÃO use sob chuva ou em ambientes úmidos!



Desconecte sempre da tomada elétrica, quando for fazer ajustes, trocar acessórios, limpar, efetuar manutenção ou quando não estiver em uso!



**AVISO:** Peças móveis podem causar ferimentos por corte ou esmagamento.



**Cuidado!**



Construção de classe II (isolamento duplo para proteção adicional)



**Proteção ambiental**

O descarte de produtos elétricos não deve ser feito no lixo doméstico. Faça a reciclagem em locais próprios para isso. Consulte as autoridades locais ou seu revendedor para saber como reciclar.



Cumpra a legislação e os padrões de segurança aplicáveis. <Only use the correct symbol for the required market>

## Abreviações Técnicas

V	Volts
~, AC	Corrente alternada
A, mA	Ampere, milliampere
n <sub>0</sub>	Velocidade sem carga
n	Velocidade nominal
A <sub>h</sub>	Ampere hora (capacidade de bateria)
°	Graus
Ø	Diâmetro
Hz	Hertz
— — —, DC	Corrente Contínua
W, kW	Watt, Quilowatt
/min or min <sup>-1</sup>	Operações por minuto
λ	Comprimento de onda
dB(A)	Nível sonoro em decibéis (A ponderado)
m/s <sup>2</sup>	Metros por segundo ao quadrado (magnitude de vibração)

## Especificação

<b>Modelo:</b>	TDJ600
<b>Voltagem:</b>	220 - 240V ~ 50/60Hz
<b>Consumo de potência:</b>	710W
<b>Velocidade sem carga:</b>	17.000min <sup>-1</sup>
<b>Espaçamento da broca de perfuração:</b>	32mm
<b>Profundidade de perfuração:</b>	0 a 38mm
<b>Diâmetro da broca:</b>	Ø6 - 10mm
<b>Faixa do ângulo da guia:</b>	0 a 90°
<b>Ajuste de altura:</b>	9 a 43mm
<b>Classe de proteção:</b>	
<b>Comprimento do cabo elétrico:</b>	3m
<b>Dimensões (C x L x A):</b>	470 x 155 x 220mm
<b>Peso:</b>	2,8kg

Como parte do desenvolvimento de nossos produtos, as especificações da Triton podem ser alteradas sem aviso.

## Informações sobre ruído e vibração

<b>Pressão sonora L<sub>PA</sub>:</b>	88,4dB(A)
<b>Potência sonora L<sub>WA</sub>:</b>	99,4dB(A)
<b>Incerteza K:</b>	3 dB
<b>Vibração ponderada:</b>	2,584m/s <sup>2</sup>
<b>Incerteza K:</b>	1,5m/s <sup>2</sup>

O nível de intensidade sonora para o operador poderá ultrapassar 85dB(A) e são necessárias medidas de proteção.



**AVISO:** Use sempre proteção auditiva apropriada, quando o ruído da ferramenta ultrapassar 85dBa, e limite o tempo de exposição ao mínimo necessário. Caso os níveis de ruído se tornem desconfortáveis, mesmo com proteção auditiva, pare imediatamente de usar a ferramenta e verifique se a proteção auditiva está ajustada de forma correta, de modo a atenuação sonora correta, para o nível de ruído produzido pela ferramenta.

**AVISO:** A exposição do usuário à vibração da ferramenta pode resultar em perda de sentido do tato, dormência, formigamento e diminuição da capacidade de agarrar. A exposição por longo prazo pode levar a uma condição crônica. Caso necessário, limite o período de tempo que fica exposto à vibração e use luvas antivibração. Não use a ferramenta com as mãos expostas a uma temperatura abaixo da temperatura normal confortável, uma vez que a vibração tem mais impacto nessa condição. Use os valores fornecidos na especificação relativa a vibrações, para calcular a duração e frequência de uso da ferramenta.

Os níveis sonoros e de vibração da especificação são determinados de acordo com a norma EN60745, ou por padrão internacional similar. Os valores consideram o uso normal da ferramenta, sob condições de trabalho normais. Uma ferramenta montada, mantida ou usada incorretamente, poderá produzir níveis de ruído, e de vibração, superiores... O site: [www.osha.europa.eu](http://www.osha.europa.eu) fornece mais informações sobre níveis de vibração e ruído no local de trabalho, e pode ser útil para usuários domésticos que usam ferramentas por longos períodos de tempo.

## Segurança geral

**AVISO Leia todos os avisos de segurança e todas as instruções.** *O descumprimento dos avisos e instruções pode resultar em choque elétrico, incêndio e/ou ferimentos graves.*

**AVISO:** Este aparelho não foi projetado para ser usado por pessoas (inclusive crianças) com capacidade física ou mental reduzida ou com falta de experiência ou conhecimento, exceto se estiverem sob supervisão ou tiverem recebido instruções relativas ao uso do aparelho pela pessoa responsável por sua segurança. As crianças devem ser supervisionadas para garantir que não brinquem com o equipamento.

Guarde todos os avisos e instruções para consulta futura.

O termo "ferramenta elétrica", nos avisos, se refere a uma ferramenta elétrica que usa alimentação da rede (com cabo elétrico) ou uma bateria (sem cabo elétrico).

### 1) Segurança na área de trabalho

- a) **Mantenha a área de trabalho limpa e bem iluminada.** *Áreas desorganizadas ou escuras facilitam os acidentes.*
- b) **Não opere ferramentas elétricas em atmosferas explosivas, como na presença de líquidos, gases ou serragens inflamáveis.** *Ferramentas elétricas produzem faíscas que podem inflamar a serragem ou os gases.*
- c) **Mantenha as crianças e observadores à distância, quando operar ferramentas elétricas.** *Distrações podem fazer você perder o controle.*

### 2) Segurança elétrica

- a) **O plugue de tomada da ferramenta deve ser compatível com a tomada de parede. Nunca modifique um conector, de maneira alguma. Nunca use conectores adaptadores em ferramentas elétricas com fio terra (aterradas).** *Conectores sem modificações e tomadas corretas reduzem o risco de choques elétricos.*
- b) **Evite o contato de seu corpo com superfícies aterradas, como tubos, radiadores, extensões e refrigeradores.** *Existe um risco maior de choque elétrico se o seu corpo estiver aterrado.*
- c) **Não deixe as ferramentas elétricas expostas a chuva ou condições úmidas.** *A água que entra em uma ferramenta elétrica, aumenta o risco de choque elétrico.*
- d) **Não abuse do cabo elétrico. Nunca use o cabo para carregar, puxar ou desconectar a ferramenta elétrica. Mantenha o cabo longe de calor, óleo, bordas afiadas ou peças móveis.** *Cabos danificados ou emaranhados aumentam o risco de choque elétrico.*
- e) **Quando operar uma ferramenta elétrica ao ar livre, use um cabo de extensão adequado para uso externo.** *A utilização de um cabo adequado para uso externo reduz o risco de choque elétrico.*
- f) **Se o uso da ferramenta elétrica em local úmido for inevitável, use uma fonte de alimentação protegida com Dispositivo de Corrente Residual (DR).** *O uso de um DR reduz o risco de choque elétrico.*
- g) **Quando usada na Austrália ou Nova Zelândia, recomenda-se que esta ferramenta seja SEMPRE alimentada através de um Dispositivo de Corrente Residual (DR), com corrente residual nominal de 30mA ou menos.**

### 3) Segurança pessoal

- a) **Mantenha-se alerta, preste atenção no que faz e use de bom senso enquanto opera uma ferramenta elétrica. Não use ferramentas elétricas quando estiver cansado ou sob influência de drogas, álcool ou medicamentos.** *Um momento de desatenção, quando se opera uma ferramenta elétrica, pode resultar em ferimentos pessoais graves.*
  - b) **Use equipamentos de proteção individual. Use sempre proteção ocular.** *Equipamentos de proteção como máscara respiratória, calçados de proteção antiderrapantes, capacete ou protetores auditivos, usados de acordo com as condições apropriadas, reduzem a ocorrência de ferimentos.*
  - c) **Evite partidas não intencionais. Certifique-se de que o interruptor esteja na posição desligada, antes de conectar a ferramenta à fonte de alimentação e/ou bateria, quando estiver pegando-a, ou quando estiver transportando-a.** *Transportar ferramentas elétricas com seu dedo no interruptor ou energizar ferramentas elétricas com o interruptor na posição ligada, propicia acidentes.*
  - d) **Remova todas as chaves ou ferramentas de trabalho, antes de ligar a ferramenta elétrica.** *Uma chave deixada em uma peça rotativa da ferramenta elétrica poderá resultar em ferimentos.*
  - e) **Não se estique demais. Mantenha sempre o equilíbrio, e os pés em local firme.** *Isto permite um melhor controle da ferramenta em situações inesperadas.*
  - f) **Vista-se apropriadamente. Não use joias, nem roupas largas. Mantenha cabelos, roupas e luvas longe das peças móveis.** *Roupas largas, joias e cabelos longos podem ficar presos nas peças móveis*
  - g) **Se for utilizar dispositivos para a aspiração e coleta de pó, assegure-se de que estejam conectados e sejam usados corretamente.** *O uso da coleta de pó pode reduzir os riscos associados ao excesso de pó.*
- ### 4) Uso e cuidados com a ferramenta elétrica
- a) **Não force a ferramenta elétrica. Use a ferramenta correta para sua aplicação.** *A ferramenta correta fará o trabalho melhor e com mais segurança, com a produtividade para a qual foi projetada.*
  - b) **Não use a ferramenta elétrica se o interruptor liga/desliga não estiver funcionando.** *Qualquer ferramenta que não puder ser controlada com o interruptor liga/desliga é perigosa e deve ser consertada.*
  - c) **Desconecte o conector de tomada da rede elétrica e/ou a bateria da ferramenta, antes de realizar quaisquer ajustes, trocar acessórios ou de guardá-la.** *Estas medidas de segurança preventivas reduzem o risco de se ligar a ferramenta por acidente.*
  - d) **Guarde a ferramenta elétrica fora do alcance de crianças, quando não estiver em uso, e não permita que pessoas não familiarizadas com a ferramenta, e com estas instruções, a operem.** *Ferramentas elétricas são perigosas nas mãos de pessoas não treinadas.*
  - e) **Conserve as ferramentas elétricas. Verifique o alinhamento ou emperramento das peças móveis, se existem peças quebradas ou outra condição que possa afetar a operação da ferramenta. Se a ferramenta estiver danificada, providencie o conserto, antes de usá-la.** *Muitos acidentes são causados por ferramentas mal conservadas.*
  - f) **Mantenha as ferramentas de corte limpas e afiadas.** *Ferramentas de corte com bordas afiadas, quando mantidas corretamente, são menos propensas a emperramentos e mais fáceis de controlar*
  - g) **Use a ferramenta elétrica, seus acessórios e outros elementos de acordo com estas instruções, considerando as condições de trabalho e o serviço a ser executado.** *O uso da ferramenta para operações diferentes daquelas para as quais foi projetada pode resultar em uma situação de risco*
- ### 5) Reparos
- a) **Entregue sua ferramenta para reparos a pessoal técnico qualificado, que use apenas peças de reposição originais.** *Isto garantirá que a ferramenta continuará oferecendo segurança.*

# Segurança da fresadora de juntas



- As fresas e brocas da fresadora devem ter velocidade nominal no mínimo igual à velocidade recomendada para a ferramenta. Fresas e brocas girando acima de sua velocidade nominal poderão ser arremessadas e provocar ferimentos.
- Use sempre o protetor e outros dispositivos de segurança que fazem parte da ferramenta. Estes protegem o operador de fragmentos quebrados da broca ou fresa e impedem o contato não intencional com bordas ou dentes afiados.
- Não permita que pessoas com menos de 18 anos operem a ferramenta. Assegure-se de que os operadores estão familiarizados com estas instruções de operação e segurança.
- Segure a ferramenta elétrica apenas pelas empunhaduras isolantes, quando estiver realizando uma tarefa em que o acessório de corte possa entrar em contato com seu próprio cabo elétrico. O contato com um cabo eletrificado poderá eletrificar as partes metálicas da ferramenta, provocando um choque elétrico no operador.
- Caso seja necessário trocar o cabo de alimentação, isto deverá ser feito pelo fabricante ou seu agente de modo a evitar riscos.
- Recomenda-se que a ferramenta seja sempre alimentada por meio de um dispositivo de corrente residual (DR) com especificação nominal de 30 mA ou menos.

**ATENÇÃO:** Não use brocas cegas ou danificadas.

**ATENÇÃO:** Verifique se o sistema de proteção retrátil está funcionando corretamente, antes do uso.



**Use proteção respiratória apropriada:** O uso desta ferramenta pode produzir pó contendo substâncias químicas causadoras de câncer, defeitos congênitos ou outras alterações reprodutivas. Algumas madeiras contêm conservantes como o Arseniato de Cobre Cromatado (CCA ou Celcure) que podem ser tóxicos. Quando se lixam, perfuram ou cortam tais madeiras, deve ser tomado cuidado adicional para evitar a inalação e reduzir o contato com a pele.

- a) As bobinas de extensão de cabo elétrico usadas com esta ferramenta devem ser completamente desenroladas. Seção transversal mínima de condutor: 1,0mm<sup>2</sup>
- b) Quando esta ferramenta for usada ao ar livre, conecte-a a uma fonte de alimentação que tenha um dispositivo DR e um cabo de extensão com um mínimo 1,5mm<sup>2</sup> de seção transversal, com tomadas à prova de água em bom estado de funcionamento.
- c) Certifique-se de que a fresa ou lâmina está instalada firmemente, antes do uso. Fresas ou lâminas soltas poderão ser arremessadas pela máquina, criando um perigo.
- d) Aguarde sempre até que a máquina pare completamente, antes de pousá-la na bancada.
- e) Quando operar esta máquina, use equipamento de segurança, incluindo óculos de proteção, proteção auditiva e vestuário de proteção, inclusive luvas. Use uma máscara respiratória se a operação de perfuração criar pó.
- f) Use iluminação adequada.
- g) Certifique-se de que a fresa ou lâmina NÃO está em contato com a peça de trabalho, antes de ligar a ferramenta.
- h) Use ambas as mãos quando estiver operando esta ferramenta.
- i) Instale sempre as empunhaduras auxiliares fornecidas com a ferramenta, exceto nos casos em que as instruções digam especificamente o contrário, em certas tarefas.
- j) Não exerça pressão sobre a ferramenta, pois isso poderá reduzir sua vida útil.
- k) As fresas e lâminas ficam quentes durante o uso. Portanto, aguarde esfriarem antes de manuseá-las.
- l) Nunca use as mãos para retirar serragem, aparas ou resíduos próximo à fresa ou lâmina.
- m) Caso você seja interrompido, quando estiver operando a ferramenta, conclua o processo e desligue-a, antes de redirecionar seu olhar.
- n) Sempre que possível, use suportes ou uma morsa para prender a peça de trabalho.
- o) Desconecte sempre a ferramenta da tomada elétrica antes de trocar uma fresa ou lâmina.
- p) Examine o mandril, regularmente, em busca de sinais de desgaste ou danos. Envie as peças danificadas a um centro de assistência técnica qualificado.

- q) Ao concluir o trabalho, desconecte a ferramenta da fonte de alimentação.
- r) Verifique periodicamente se todas as porcas, parafusos e outros elementos de fixação estão apertados, e aperte onde necessário.

## Segurança da ferramenta de corte

**AVISO:** Antes de conectar uma ferramenta a uma fonte de energia (conector do interruptor de energia da rede, tomada de parede, etc.), certifique-se de que a voltagem de alimentação tem o mesmo valor que o especificado na etiqueta de identificação da ferramenta. Uma fonte de energia com uma voltagem acima da especificada para a ferramenta poderá resultar em ferimentos graves e danificar a ferramenta. Se estiver em dúvida, não conecte a ferramenta. Usar uma fonte de energia com voltagem abaixo da voltagem nominal, especificada na placa de identificação, poderá ser prejudicial para o motor.

### Use a ferramenta de corte correta

- Assegure-se de que a ferramenta de corte (broca, fresa ou lâmina) é adequada ao trabalho. Não assuma que uma ferramenta é adequada sem antes ler a documentação do produto.

### Proteja seus olhos

- Use sempre proteção adequada para os olhos, quando estiver usando ferramentas de corte.
- Óculos comuns não são concebidos para oferecer qualquer proteção quando se usa este produto, pois suas lentes não são resistentes a impactos e podem se despedaçar.

### Proteja sua audição

- Use sempre proteção auricular apropriada, quando o ruído da ferramenta ultrapassar 85dB.

### Proteja sua respiração

- Assegure-se de que você e os demais à sua volta estão utilizando máscaras contra poeira adequadas.

Proteja suas mãos

- Não deixe suas mãos se aproximarem do disco ou lâminas de corte. Quando trabalhar com um pedaço de madeira mais curtas, use um extensor e as ferramentas elétricas adequadas.

### Esteja ciente de onde estão os outros à sua volta

- É responsabilidade do usuário da máquina garantir que as pessoas que estão na vizinhança do local de trabalho não sejam expostas a ruído e poeiras perigosas e também que estejam usando equipamento de proteção adequado.

### Objetos ocultos

- Inspeccione a peça de trabalho e remova todos os pregos e outros objetos embutidos, antes de iniciar o corte.
- Não tente cortar material que contenha objetos embutidos, a menos que a ferramenta de corte instalada em sua máquina seja própria para esse tipo de trabalho.
- Podem existir fiações e tubulações escondidas atrás de paredes, painéis de carrocerias podem esconder tubulações de combustível, e gramados altos podem esconder pedras e vidros. Verifique sempre a área de trabalho antes de prosseguir.

### Tome cuidado com o material arremessado pela máquina

- Em algumas situações, os resíduos são arremessados com muita velocidade pela ferramenta. É responsabilidade do usuário garantir que outras pessoas que estejam no local de trabalho estejam protegidas contra a possibilidade de serem atingidas por material arremessado.

### Instalação de ferramentas de corte

- Garanta que as ferramentas de corte são instaladas de forma correta e firme e verifique se todas as ferramentas e chaves foram removidas da máquina, antes do uso.
- Use apenas as ferramentas de corte recomendadas para sua máquina.
- Não tente fazer modificações em ferramentas de corte.

### Sentido de alimentação

- Introduza sempre as peças de trabalho na área de corte contra o sentido de movimentação da lâmina ou ferramenta de corte.

## Tome cuidado com o calor

- As ferramentas de corte e peças de trabalho podem ficar quentes durante o uso. Não tente trocar as ferramentas até que tenham esfriado completamente

## Controle a poeira / serragem

- Não deixe que poeira ou serragem se acumulem. A representa um perigo de incêndio e alguns tipos de limalhas metálicas são explosivas.
- Tome cuidado adicional quando estiver cortando madeira ou metal. As centelhas produzidas pelo corte de metais são uma causa comum de incêndios em madeiras.
- Sempre que possível, use um sistema de coleta e extração de serragem de modo a manter um ambiente de trabalho mais seguro.

## Familiarização com o produto

1. Guia paralela
2. Visor
3. Empunhadura auxiliar
4. Corpo da ferramenta
5. Empunhadura principal
6. Botão de trava do indicador de profundidade
7. Indicador de zero
8. Indicador de profundidade
9. Botão de trava do ângulo da guia
10. Guia angular
11. Dentes para gabarito
12. Face dianteira
13. Discos antiderrapantes
14. Barra de dentes para gabarito
15. Chave sextavada
16. Botão de ajuste da altura da guia
17. Botão de trava da altura da guia
18. Escala de altura
19. Suportes de broca
20. Mola de retorno
21. Interruptor gatilho Liga/Desliga
22. Bocal de saída de pó

## Acessórios fornecidos:

- 2 brocas de 8mm de diâmetro, hex chave sextavada e adaptador de pó

## Uso Pretendido

Ferramenta elétrica de tomada para corte de furos de cavilha a distâncias regulares, para junções de madeira.

## Antes do uso

### Instalação das brocas

**AVISO:** As brocas são muito afiadas; use sempre luvas e manuseie-as com cuidado.

1. Gire um dos mandrils (19) até ter acesso ao parafuso de fixação (figura A)
2. Solte o parafuso usando a chave sextavada fornecida (15)
3. Segure a broca de modo que a seção chata da haste se alinhe com o parafuso de fixação.
4. Insira a haste no mandril até ao fundo e aperte o parafuso de fixação para prender a broca no lugar.
5. Verifique se a broca ficou presa firmemente.
6. Repita o processo para a outra broca

### Calibração do indicador de profundidade

Após a instalação das brocas, é necessário reajustar o indicador de profundidade (8) e o indicador de zero (7) de modo que as leituras sejam corretas (figura C)

1. Solte o botão de trava do indicador de profundidade (6) o suficiente para que o indicador de profundidade se mova livremente.

2. Coloque um pedaço de madeira descartável contra a face dianteira (12) e puxe com cuidado o corpo da ferramenta (4) para a frente, até que ele pare, de modo que o ponto de corte das brocas esteja nivelado com a superfície da face dianteira. Mantenha nessa posição.

**Nota:** Dependendo das brocas usadas, o ponto de corte já poderá estar muito próximo do nível da face dianteira e poderá ser necessário apenas um movimento mínimo, ou nenhum movimento para que ocorra o nivelamento.

3. Desloque o indicador de profundidade (8) para trás, para longe da face dianteira, o tanto quanto possível e, então, reaperte o botão de trava do indicador de profundidade enquanto mantém a posição estabelecida no passo 2.
4. Solte e gire ligeiramente o indicador de Zero (7) de modo que o ponteiro fique nivelado com o '0' no indicador de profundidade e, então, reaperte.
5. Realize uma verificação final para garantir que as brocas estão niveladas com a face dianteira e que o indicador de zero está nivelado com o '0' no indicador de profundidade.

**Nota:** Você não precisará ajustar novamente a posição do indicador de zero até trocar as brocas.

### Conexão de um sistema de extração de pó

1. Empurre e encaixe o adaptador de pó fornecido no bocal de saída de pó (22 e figura B).
2. Encaixe a mangueira do sistema de extração de pó no adaptador de pó e assegure-se de que está presa firmemente.

**Nota:** O adaptador pode ser ajustado em qualquer posição do arco de 180° em direção ao operador.

### Ajuste do ângulo da guia

A guia (1) tem um curso de 90°, com posições pré-definidas para ajuste fácil e rápido em 22,5°, 45° e 67,5°.

### Para ajustar o ângulo desejado:

1. Solte o botão de trava do ângulo da guia (9).
2. Gire a guia até à posição do ângulo desejado na guia angular (10), veja a figura D.
3. Aperte o botão de trava do ângulo da guia de modo a prender a guia na posição.

**Nota:** Verifique a a guia está firmemente travada na posição, antes de perfurar; Caso isto não seja feito, poderão ocorrer danos à máquina ou à peça de trabalho, se a máquina se mover durante o uso.

**Nota:** A guia angular tem uma escala aproximada; deve ser usado equipamento de medição de ângulos adicional, se necessário.

### Uso do visor

- As três linhas no visor Plexiglass (2) identificam:
  - A linha de centro de cada broca,
  - A linha de centro entre as duas brocas.
- Use essas marcações para alinhar com precisão a broca com as marcas definidas em sua peça de trabalho (figura G)

**NOTA:** A fresadora de juntas dupla da Triton produz orifícios espaçados de exatos 32mm, tornando-a compatível com o sistema 'System 32' de confecção de gabinetes – ideal para criar fileiras de furos espaçados de forma ordenada em paredes de gabinetes.

### Ajuste da profundidade de corte

- O indicador de profundidade (8) permite que você ajuste uma profundidade de corte de 0 a 38mm (figura F)
  - Sempre que as brocas forem trocadas ou forem instaladas novas brocas, o indicador de zero (7) e o indicador de profundidade (8) devem ser zerados. Consulte 'Calibração do ajuste de profundidade' para obter orientações.
  - Use a régua da guia para ajustar a profundidade desejada.
1. Solte o botão de trava do indicador de profundidade (6) de modo que o indicador de profundidade possa deslizar para a frente e para trás.
  2. Posicione o indicador de profundidade de tal forma que a profundidade requerida (na régua) fique alinhada com o ponteiro do indicador de zero (7).
  3. Aperte o botão de trava do indicador de profundidade para prender o indicador de ajuste de profundidade na posição requerida. Isto limitará o movimento do corpo da ferramenta e, conseqüentemente, a profundidade de perfuração até o valor máximo que você definiu.

## Ajuste da altura de corte

O mecanismo de pino e cremalheira de ajuste de altura da guia permite o ajuste da altura de corte de 9mm a 43mm (Image G).

1. Solte o botão de trava da altura da guia (17).
2. Gire o botão de ajuste da altura da guia (16) para erguer ou abaixar a guia.
3. Alinhe a seta preta do mecanismo de ajuste de altura com a altura desejada da régua de altura (18).
4. Aperte o botão de trava da altura da guia para prender a guia (1) na altura definida.

## Operação

**IMPORTANTE:** Use sempre as duas mãos quando estiver perfurando. Segure o corpo (4) da fresadora de junta com uma mão, com um dedo descansando confortavelmente no interruptor gatilho Liga/Desliga (21) e segure a empunhadura auxiliar (3) com a outra mão, de modo que a ferramenta fique firme em suas mãos

## Acionamento e desligamento

- Para acionar a fresadora de junta, aperte o interruptor gatilho Liga/Desliga (21)
- Solte o interruptor Liga/Desliga para desligar a ferramenta.

### Notas:

- Para fazer furos na peça de trabalho conforme requerido, primeiro ajuste a fresadora de junta de acordo com as instruções 'Antes do Uso' (acima), e prepare a(s) peça(s) de trabalho, marcando os pontos a serem perfurados na(s) peça(s) de trabalho com um lápis.
- É importante que a(s) peça(s) de trabalho seja(m) marcada(s) corretamente. Poderá ser mais fácil prender, de forma frouxa, as duas peças de trabalho uma na outra, exatamente na posição requerida, e marcá-las com um lápis, fazendo os furos depois disso. Prenda novamente as peças uma na outra de forma frouxa, com duas cavilhas inseridas, antes de fazer as marcas das próximas duas cavilhas. Idealmente, é preferível uma posição intermediária para os primeiros furos de cavilha.
- Existe pouca tolerância quando se unem peças de madeira com cavilhas e, portanto, é muito importante medir precisamente todas as posições. Os furos mais críticos são normalmente aqueles que ficam nas bordas da peça de trabalho e, portanto, o ideal é que os erros de posicionamento ocorram no meio das peças, onde poderão ser feitos furos extra, caso necessário.
- A peça de trabalho precisará ser presa à bancada, embora seja possível o uso de um tapete antiderrapante entre a peça e a superfície da bancada, o que será suficiente em alguns casos.

1. Segure o corpo da máquina com uma das mãos mantendo um dedo no gatilho Liga/Desliga (21).
2. Alinhe as guias no visor Plexiglass (2) com as marcas de lápis da peça de trabalho e coloque a fresadora de juntas em posição para iniciar os furos (figura H).
3. Posicione a máquina contra a peça de trabalho de modo que a face dianteira (12) e a parte de baixo da guia (1) fiquem totalmente em contato com a peça de trabalho.
4. Pressione para baixo na frente da guia com os dedos de sua outra mão, para manter a máquina em posição, e verifique se não existem folgas na face dianteira ou no lado de baixo da guia. Mova sua mão de volta para a empunhadura (3) de modo a segurar a máquina firmemente.

**Nota:** Pode ser necessário segurar a ferramenta aplicando pressão sobre a guia (1) (figura H) ao invés de se segurar na empunhadura auxiliar (3), de modo a garantir que a ferramenta permaneça na mesma posição em relação à peça de trabalho.

**Nota:** Também pode ser necessário aplicar pressão, caso você esteja usando um tapete antiderrapante na peça de trabalho, o que irá exigir maior pressão para baixo sobre a peça de trabalho. Só faça isso, caso esteja confortavelmente segurando a ferramenta com apenas uma mão no corpo principal. Idealmente, ambas as mãos devem ser usadas para segurar a ferramenta durante a operação, e a peça de trabalho deve ser presa firmemente contra a superfície de trabalho, para se obter a máxima segurança.

5. Com um movimento suave, pressione o gatilho Liga/Desliga (21) e empurre o corpo da máquina para a frente de modo que as brocas penetrem a peça de trabalho (figura I).
6. Empurre o corpo da máquina para a frente o tanto quanto ela se deslocar, até que encaixe no batente de profundidade do indicador de profundidade (8), para criar os furos desejados nas posições corretas.
7. Mantendo a ferramenta acionada, deixe que a mesma retorne a sua posição original, retirando as brocas dos furos da peça de trabalho. Segure a ferramenta firmemente com ambas as mãos enquanto faz esse movimento.
8. Uma vez que as brocas tenham saído dos furos, solte o gatilho Liga/Desliga,

**NOTA:** A mola de retorno (20) fará com que o corpo da ferramenta retorne automaticamente para trás, até à posição de repouso, retirando as brocas da peça de trabalho ao mesmo tempo em que ainda é aplicada alguma pressão sobre a face dianteira e guia. O operador deve controlar cuidadosamente a remoção das brocas, tomando o cuidado de manter a ferramenta exatamente na mesma posição em relação aos orifícios perfurados.

9. Uma vez que as brocas estejam fora da peça de trabalho e tenham parado de girar, levante a máquina para longe da peça de trabalho.

**Nota:** Recomenda-se praticar com a fresadora de juntas, primeiro em peças de madeira descartáveis, de modo que o operador possa entender totalmente como funciona a máquina.

## Posicionamento

- Para efetuar furos na face de uma peça de trabalho, a máquina precisa ser posicionada em ângulo perpendicular com a respectiva face da peça (figura J).
- Recomenda-se que você trabalhe com a máquina inclinada para baixo, na direção do movimento de perfuração, de modo que o peso da máquina atue na direção da operação, em oposição a se tentar efetuar furos para cima a partir de uma posição abaixo da peça de trabalho.
- Caso precise efetuar furos muito longe de uma borda, configure a fresadora de modo que a guia e a face dianteira da mesma fiquem niveladas uma com a outra. A fresadora agora poderá descansar verticalmente em uma superfície e ser posicionada de modo livre - mesmo em peças de trabalho grandes (figura K) - assegure-se de que a ferramenta está firme, antes de iniciar a perfuração.

## Uso de um gabarito ou modelo

A fresadora de juntas é equipada com dentes para um gabarito (11) e uma barra de dentes para gabarito (14), que permitem a execução rápida de furos, quando se usa um gabarito ou modelo de cavilhas (não fornecidos).

- O uso de um gabarito ou modelo desse tipo permite a perfuração rápida de furos precisos, e pode acelerar o processo de fabricação de gabinetes. Estes dispositivos também são ideais para a criação de furos de prateleiras em intervalos regularmente espaçados.
1. Prenda o gabarito ou modelo na peça de trabalho, exatamente na posição requerida, após medições cuidadosas.
  2. Ajuste a fresadora de juntas para uso da barra de dentes para gabarito (14), ou dos dentes para gabarito (11), com o modelo ou gabarito de cavilhas.

**Nota:** Certifique-se de que a profundidade de perfuração, o ângulo da guia e a altura da guia estão ajustados corretamente.

3. Faça os furos requeridos inserindo os dentes de gabarito da fresadora de juntas nas fendas de dentes do modelo ou gabarito de cavilhas e, então, opere a ferramenta como de costume.

**Nota:** O uso de um gabarito ou modelo de cavilhas é ideal quando se usa a fresadora configurada para posicionamento livre sobre uma peça de trabalho grande com a guia e a face dianteira niveladas.

**Nota:** Embora existam gabaritos de cavilhas disponíveis à venda, é possível também construir um gabarito ou modelo de cavilhas.

## Outros

**Nota:** A versatilidade desta ferramenta vai muito além do que é abordado neste manual e o conteúdo aqui apresentado serve apenas como material introdutório a respeito dos recursos e da operação da máquina.

## Acessórios

Seu revendedor Triton possui uma ampla linha de acessórios à disposição. Peças de reposição podem ser solicitadas ao seu revendedor Triton, ou através do site: [www.toolsparsonline.com](http://www.toolsparsonline.com).

## Manutenção

**AVISO:** Desconecte SEMPRE a ferramenta da fonte de alimentação, antes de limpá-la ou de realizar qualquer manutenção.

- Inspeccione o cabo de energia da ferramenta, antes de cada utilização, em busca de desgaste ou danos. Reparos devem ser realizados por um Centro de Serviços Autorizado pelo Triton E isto também se aplica aos cabos de alimentação elétrica desta ferramenta.
- Caso seja necessário trocar o cabo de alimentação, isto deverá ser feito pelo fabricante, ou por seu agente, de modo a evitar riscos.

## Inspeção geral

- Verifique regularmente se todos os parafusos de montagem estão apertados. Eles podem se soltar com o tempo devido à vibração.

## Lubrificação

- Lubrifique todas as peças móveis com um aerossol lubrificante adequado, em intervalos regulares.

## Limpeza

**AVISO:** Use SEMPRE equipamento de proteção, incluindo proteção ocular e luvas, quando limpar esta ferramenta.

- Mantenha sua ferramenta limpa o tempo todo. A sujeira e o pó produzem desgaste acelerado das peças internas e encurtam a vida útil da ferramenta.
- Limpe o corpo de sua ferramenta com uma escova macia e pano seco.
- Nunca use agentes cáusticos para limpar peças plásticas. Caso não seja suficiente uma limpeza seca, recomenda-se o uso de um pano úmido com detergente suave.
- Água não deve nunca entrar em contato com a ferramenta.
- Assegure-se de que a ferramenta está completamente seca, antes de usá-la.
- Se houver ar comprimido disponível, use-o para soprar a sujeira nos orifícios de ventilação (onde aplicável).

## Escovas

- Com o tempo, as escovas de carbono do motor poderão ficar gastas.
- Escovas excessivamente gastas, podem causar perda de potência, falhas intermitentes, ou centelhamento visível.
- Para trocar as escovas, remova os quatro parafusos que prendem o alojamento da empunhadura principal (5). Remova os dois lados com cuidado, assegurando-se de não puxar ou danificar os cabos. Remova as escovas gastas, trocando-as por escovas novas. Reinstale o alojamento com cuidado, insira e aperte os parafusos. Alternativamente, leve a máquina a um Centro de Serviços Autorizado da Triton.

## Descarte

Cumpra sempre as leis nacionais ao descartar ferramentas elétricas que não funcionam mais e cujo reparo não é mais viável.

- Não descarte ferramentas elétricas, ou outros equipamentos elétricos e eletrônicos (WEEE) no lixo doméstico.
- Contate a autoridade local de eliminação de resíduos para saber o modo correto de descartar ferramentas elétricas.

## Garantia

Para registrar sua garantia, visite nosso site em [www.tritontools.com](http://www.tritontools.com)\* e cadastre suas informações.

Seus dados serão incluídos em nossa lista de endereços (a menos que indicado de outro modo) para que você receba informações sobre lançamentos futuros. Os dados que nos fornecer não serão repassadas a terceiros.

## Registro de compra

Data de compra: \_\_\_ / \_\_\_ / \_\_\_\_

Modelo: TDJ600 Retenha sua nota fiscal como comprovante de compra.

## Declaração de conformidade

O abaixo assinado: Sr. Darrell Morris

Conforme autorizado por: Triton Tools

Declara que o equipamento

Código de identificação: 186171

Descrição: Fresadora de junção

Está em conformidade com os seguintes padrões e diretivas:

- Diretiva de Maquinário 2006/42/EC
- Diretiva de Baixa Tensão 2006/95/EC
- Diretiva de EMC 2014/108/EU
- Diretiva de RoHS 2011/65/EU
- EN60745-2-19:2005+A1:2010
- EN60745-1:2009+A11:2010
- EN55014-1:2009+A2:2011
- EN55014-2:1997+A2:2008
- EN61000-3-2:2014
- EN61000-3-3:2013 • EN62321:2009

A Triton Precision Power Tools garante ao comprador deste produto que se qualquer peça estiver comprovadamente defeituosa devido a falhas de material ou mão de obra durante os próximos 3 anos a partir da data da compra original, Triton irá reparar ou, a seu critério, substituir a peça defeituosa sem custo.

Esta garantia não se aplica ao uso comercial nem se estende ao desgaste normal ou a danos decorrentes de acidente, abuso ou uso indevido.

\* Registre-se online dentro de 30 dias após a compra.

Termos e condições aplicáveis.


Isto não afeta seus direitos legais.

Orgão notificado: TÜV SÜD Product Service

A documentação técnica é mantida pela: Triton Tools

Data: 05/05/15

Assinado:



Mr Darrell Morris

Diretor Geral

Nome e endereço do fabricante:

Powerbox International Limited, Company No. 06897059. Registered address:  
Powerbox, Boundary Way, Lufton Trading Estate, Yeovil, Somerset BA22 8HZ, United Kingdom.

# Tłumaczenie oryginalnej instrukcji

## Wprowadzenie

Dziękujemy za zakup narzędzia marki Triton. Zalecamy zapoznać się z niniejszymi instrukcjami: zawierają one informacje niezbędne dla bezpiecznej i wydajnej obsługi produktu. Produkt posiada szereg unikalnych funkcji, dlatego też, nawet, jeśli jesteś zaznajomiony z podobnymi produktami, przeczytanie instrukcji obsługi umożliwi Ci pełne wykorzystanie tego wyjątkowego projektu. Przechowuj niniejsze instrukcje w zasięgu ręki i upewnij się, że użytkownicy narzędzia przeczytali i w pełni zrozumieli wszystkie zalecenia.

## Opis symboli

Tabela znamionowa zawiera symbole dotyczące narzędzia. Stanowią one istotne informacje o produkcie lub instrukcje dotyczące jego stosowania.



Należy nosić środki ochrony słuchu  
Należy nosić okulary ochronne  
Należy nosić środki ochrony dróg oddechowych  
Należy używać kasku ochronnego



Należy nosić rękawice ochronne



Należy w całości przeczytać instrukcję obsługi



Ostrzeżenie: Ostre zęby/ostrze



NIE WOLNO korzystać z urządzenia w przypadku deszczu lub obecności wilgoci!



Należy zawsze odłączać od zasilania elektrycznego, podczas regulacji, wymiany akcesoriów, czyszczenia, konserwacji oraz gdy nie jest w użyciu!



OSTRZEŻENIE: Ruchome części mogą spowodować obrażenia ciała w postaci zwichnięć i ran ciętych



Uwaga!



Konstrukcja klasy II (podwójnie izolowana w celu dodatkowej ochrony)



**Ochrona środowiska**  
Nie należy wyrzucać zużytych produktów elektrycznych wraz z odpadami komunalnymi. Jeśli jest to możliwe, należy przekazać produkt do punktu recyklingu. W celu uzyskania wskazówek dotyczących recyklingu należy skontaktować się z władzami lokalnymi lub sprzedawcą.



Urządzenie zgodne z odpowiednimi przepisami i normami bezpieczeństwa

## Kluczowe skróty techniczne

V	Wolt
~, AC	Prąd przemienny
A, mA	Amper, milli-Amper
$n_b$	Prędkość bez obciążenia
n	Prędkość znamionowa
$A_b$	Godziny Amp (pojemność akumulatora)
°	Stopnie
$\varnothing$	Średnica
Hz	Herc
—, DC	Direct current
W, kW	Watt, kilowatt
/min or $min^{-1}$	obroty lub ruch postępowo zwrotny na minutę
$\lambda$	Długość fali
dB(A)	Poziom hałasu w decybelach (A mierzony)
$m/s^2$	Metry na sekundę do kwadratu (wartość drgań)

## Dane techniczne:

Nr modelu:	TDJ600
Napięcie prądu elektrycznego:	220 - 240V~ 50/60Hz
Moc wejściowa:	710 W
Prędkość bez obciążenia:	17,000 $min^{-1}$
Odległość pomiędzy odwiertami:	32 mm
Głębokość wiercenia:	0 - 38 mm
Średnica wiertła:	06 - 10mm
Zakres kąta skosu:	0 - 90°
Regulacja wysokości:	9 - 43 mm
Klasa ochrony:	
Długość przewodu zasilającego:	3 m
Wymiary (dł x szer. x wys.):	470 x 155 x 220mm
Waga:	2,8 kg

W wyniku nieprzerwanego procesu rozwojowego produktów specyfikacje produktów Triton mogą ulec zmianie bez uprzedniego powiadomienia.

### Parametry emisji dźwięku i wibracji:

Poziom ciśnienia akustycznego :	88.4dB(A)
Poziom mocy akustycznej :	99.4dB(A)
Niepewność pomiaru:	3dB
Wartość emisji wibracji:	2.584 $m/s^2$
Niepewność pomiaru:	1.5 $m/s^2$
Poziom natężenia dźwięku dla operatora może przekroczyć 85dB(A) dlatego konieczne jest zastosowanie środków ochrony słuchu.	

**OSTRZEŻENIE:** Jeżeli poziom hałasu przekracza 85dB(A) należy zawsze stosować środki ochrony słuchu oraz, jeśli to konieczne, ograniczyć czas narażenia słuchu na nadmierny hałas. Jeśli poziom hałasu powoduje dyskomfort, nawet w przypadku zastosowania środków ochrony słuchu, należy niezwłocznie przestać korzystać z narzędzia i sprawdzić, czy środki ochrony słuchu są prawidłowo zamontowane i zapewniają odpowiedni poziom tłumienia dźwięku w odniesieniu do poziomu hałasu wytwarzanego przez narzędzie.

**OSTRZEŻENIE:** Narażenie użytkownika na wibracje podczas korzystania z narzędzia może spowodować utratę zmysłu dotyku, drętwienie, mrowienie i zmniejszenie zdolności uchwyty. Długotrwałe narażenie może prowadzić do stanu przewlekłego. Jeśli jest to konieczne, ogranicz czas narażenia na wibracje i stosuj rękawice antywibracyjne. Nie korzystaj z urządzenia w trybie ręcznym w temperaturze niższej niż normalna komfortowa temperatura otoczenia, ponieważ zwiększy to efekt wywołany przez wibracje. Skorzystaj z wartości liczbowych podanych w specyfikacji dotyczącej wibracji, aby obliczyć czas trwania i częstotliwość pracy z narzędziem.

Poziom hałas i drgań w specyfikacji określone są zgodnie z normą EN60745 lub podobnymi normami międzynarodowymi. Wartości te reprezentują korzystanie z urządzenia w normalnych warunkach roboczych. Niebada konserwacja, nieprawidłowy montaż lub nieprawidłowe użytkowanie urządzenia mogą spowodować wzrost poziomu hałasu oraz wibracji.

[www.osha.europa.eu](http://www.osha.europa.eu) dostarcza informacje na temat poziomów hałasu i wibracji w środowisku pracy, które mogą być przydatne dla użytkowników prywatnych, korzystających z urządzenia przez długi czas.

## Ogólne instrukcje dotyczące bezpieczeństwa

**OSTRZEŻENIE** Przeczytaj wszystkie ostrzeżenia i instrukcje bezpieczeństwa. Nieprzestrzeganie ostrzeżeń i instrukcji może prowadzić do porażenia prądem, pożaru i / lub poważnych obrażeń.

**OSTRZEŻENIE:** Urządzenie nie jest przeznaczone do użytkowania przez osoby (w tym dzieci) o ograniczonej sprawności fizycznej lub umysłowej, lub o braku doświadczenia i wiedzy, chyba, że będą one nadzorowane lub zostaną poinstruowane na temat korzystania z urządzenia przez osobę odpowiedzialną za ich bezpieczeństwo. Należy pilnować, aby dzieci nie próbowały korzystać z urządzenia, jako zabawki.

Zachowaj wszystkie ostrzeżenia i instrukcje na przyszłość.

Termin „elektronarzędzie” odnosi się do urządzenia zasilanego sieciąwo (przewodowego) lub urządzenia zasilanego za pomocą baterii (bezprowodowego).

### 1) Bezpieczeństwo obszaru pracy

- Zadbaj o prawidłową higienę i prawidłowe oświetlenie obszaru pracy.** Zanieczyszczenie lub brak wystarczającego oświetlenia obszaru pracy mogą doprowadzić do wypadków.
- Nie należy używać elektronarzędzi w przestrzeniach zagrożonych wybuchem, np. w obecności łatwopalnych cieczy, gazów lub pyłów.** Urządzenia elektryczne wytwarzają iskry, które mogą podpałić pył lub opary.
- Nie dopuszczaj dzieci ani innych osób do obszaru pracy elektronarzędzi.** Nieuwaga może spowodować utratę kontroli.

### 2) Bezpieczeństwo elektryczne

- Wtyczka elektronarzędzia musi pasować do gniazda zasilania.** Nie wolno modyfikować wtyczki w żaden sposób. W przypadku elektronarzędzi z uziemieniem nie należy stosować przejściówek. Oryginalne wtyczki i pasujące gniazda zmniejszają ryzyko porażenia prądem.
- Unikaj dotykania uziemionych powierzchni, takich jak rury, grzejniki, piece i lodówki.** Uziemienie ciała powoduje zwiększenie ryzyka porażenia prądem.
- Nie wystawiaj elektronarzędzi na działanie deszczu lub wilgoci.** Przedostanie się wody do urządzenia zwiększa ryzyko porażenia prądem.
- Nie należy nadwyręzać kabla.** Nigdy nie używaj go do przenoszenia, przeciągania lub odłączania elektronarzędzia. Trzymaj przewód z dala od źródeł ciepła, oleju, ostrych krawędzi lub ruchomych części urządzenia. Uszkodzone lub poplątane kable zwiększają ryzyko porażenia prądem.
- W przypadku korzystania z urządzenia na wolnym powietrzu używaj przedłużacza przystosowanego do używania na zewnątrz.** Korzystanie z przedłużacza przystosowanego do używania na zewnątrz zmniejsza ryzyko porażenia prądem.
- W przypadku korzystania z elektronarzędzia w miejscu o dużym natężeniu wilgoci należy używać gniazda zasilania wyposażonego w wyłącznik różnicowoprądowy (RCD).** Korzystanie z wyłącznika różnicowoprądowego zmniejsza ryzyko porażenia prądem.

g) *W przypadku korzystania z urządzenia w Australii lub Nowej Zelandii, zalecane jest zasilanie urządzenia TYLKO z wykorzystaniem wyłącznika różnicowoprądowego (RCD) o znamionowym prądzie różnicowym nie przekraczającym 30 mA.*

### 3) Bezpieczeństwo osobiste

- Podczas korzystania z elektronarzędzi bądź czujny, uważaj, co robisz i zachowaj zdrowy rozsądek. Nie używaj ich, gdy jesteś zmęczony albo pod wpływem narkotyków, alkoholu lub leków.** Chwila nieuwagi podczas obsługi urządzenia może spowodować poważne obrażenia ciała.
- Korzystaj ze środków ochrony osobistej. Zawsze stosuj środki ochrony oczu.** Wyposażenie ochronne, takie jak maska przeciwpyłowa, obuwie robocze antypoślizgowe na szorstkiej podszewce, kask ochronny lub nasuszniki ochronne używane w odpowiednich warunkach, zmniejsza ryzyko obrażeń.
- Zapobiegaj przypadkowemu włączeniu urządzenia. Przed podłączeniem do źródła zasilania i / lub akumulatora, podnoszeniem lub przenoszeniem narzędzia, upewnij się, że przełącznik zasilania znajduje się w pozycji wyłączonej.** Przenoszenie urządzenia z palcem umieszczonym na wyłączniku zasilania lub podłączanie elektronarzędzi przy włączonym przełączniku zasilania stwarza ryzyko wypadku.
- Przed włączeniem elektronarzędzia usuń z niego wszelkie klucze regulacyjne. Narzędzie lub klucz pozostawiony w obracającej się części elektronarzędzia może spowodować obrażenia ciała.**
- Nie wychylaj się. W każdej chwili zachowuj odpowiednią pozycję i równowagę.** Umożliwia to lepszą kontrolę nad elektronarzędziem w nieoczekiwanych sytuacjach.
- Noś odpowiednią odzież. Nie zakładaj do pracy z elektronarzędziem luźnej odzieży ani biżuterii.** Trzymaj włosy, odzież i rękawice z dala od ruchomych części urządzenia. Luźne ubranie, biżuteria lub długie włosy mogą zostać wciągnięte przez ruchome części urządzenia.
- Jeśli do zestawu załączone są urządzenia do podłączenia mechanizmów odsysania i zbierania pyłu, sprawdź czy są one przyłączone i prawidłowo zamocowane.** Korzystanie z urządzenia odsysającego pył może zmniejszyć zagrożenie pyłami.
- Użytkowanie i pielęgnacja elektronarzędzi.**
  - Nie należy przeciągać urządzenia. Używaj narzędzi odpowiednich do danego zastosowania.** Prawidłowe narzędzie wykona zadanie lepiej i bezpieczniej w podanym zakresie sprawności.
  - Nie należy używać urządzenia, jeśli nie można go włączyć lub wyłączyć za pomocą odpowiedniego przełącznika.** Urządzenia, które nie mogą być kontrolowane za pomocą przełącznika są niebezpieczne i muszą zostać oddane do naprawy.
  - Przed dokonaniem regulacji, wymiany akcesoriów lub przechowywaniem elektronarzędzia odłącz wtyczkę od źródła zasilania i / lub akumulator od urządzenia.** Te prewencyjne środki bezpieczeństwa zmniejszają ryzyko przypadkowego uruchomienia elektronarzędzia.
  - Nieużywane elektronarzędzie przechowuj w miejscu niedostępnym dla dzieci i nie dopuszczaj do nich osób nie znających elektronarzędzi lub ich instrukcji obsługi.** Elektronarzędzia stanowią niebezpieczeństwo w rękach nieodwiedzonych użytkowników.
- Przeprowadzaj konserwacje elektronarzędzi. Sprawdź urządzenie pod kątem nieprawidłowego ustawienia lub zablokowania elementów ruchomych, pęknięć części lub innych usterek, które mogą mieć negatywny wpływ na funkcjonowanie urządzenia. W przypadku usterek należy naprawić urządzenie przed ponownym użyciem.** Niewłaściwa konserwacja elektronarzędzi jest przyczyną wielu wypadków.
- Utrzymuj narzędzia tnące w czystości i dobrze naostrzone.** Zadbane narzędzia tnące z ostrymi krawędziami tnącymi rzadziej się zacinają i łatwiej nimi sterować.
- Używaj elektronarzędzia, akcesoria, końcówki itp. zgodnie z tymi instrukcjami, biorąc pod uwagę warunki pracy i realizowane zadania.** Używanie narzędzi do wykonywania prac niezgodnych z ich przeznaczeniem może doprowadzić do niebezpiecznych sytuacji.
- Serwis**
  - Urządzenie powinno być serwisowane przez wykwalifikowany personel naprawczy przy użyciu wyłącznie oryginalnych części zamiennych.** Zagwarantuje to bezpieczeństwo elektronarzędzia.

# Bezpieczeństwo korzystania z frezarki do połączeń kołkowych



## OSTRZEŻENIE!

- **Bity i ostrza do frezarki do połączeń kołkowych muszą posiadać prędkość znamionową, przynajmniej odpowiadającą prędkości urządzenia.** Ostrza i bity przekraczające prędkość znamionową mogą wylecieć z urządzenia i rozpaść się na kawałki powodując obrażenia.
- **Należy zawsze korzystać z osłony bądź funkcji bezpieczeństwa budowanych w urządzeniu.** Ochroni to operatora przed kawałkami ostrza bądź bitu i przypadkowym kontaktem z ostrymi krawędziami lub zębami.
- **Trzymaj narzędzie wyłączone za izolowane uchwyty, podczas cięcia urządzenie może się natknąć na własny przewód zasilania.** Przecięcie przewodu pod napięciem, sprawi, że odkryte metalowe elementy mogą porazić operatora prądem elektrycznym
- **Nie należy zezwolić nikomu poniżej 18 roku życia na korzystanie z powyższego narzędzia.** Przy czym należy się upewnić, że wszyscy użytkownicy zostali zapoznani z instrukcją obsługi i zasadami bezpieczeństwa.
- **W przypadku konieczności wymiany przewodu, należy tego dokonać przed wykwalifikowany zespół**
- **Zalecane jest zasilanie urządzenia TYLKO z wykorzystaniem wyłącznika różnicowoprądowego (RCD) o znamionowym prądzie różnicowym nieprzekraczającym 30 mA.**

**OSTRZEŻENIE:** Nie wolno używać tępych bądź uszkodzonych wiertel

**OSTRZEŻENIE:** Przed użyciem należy sprawdzić prawidłowe funkcjonowanie układu osłony systemu chowania.



- **Używaj odpowiedniej ochrony dróg oddechowych:** Korzystanie z powyższego urządzenia, powoduje emisję pyłu, który może zawierać substancje chemiczne, znane jako przyczyna raka, wad wrodzonych oraz innych zaburzeń procesu reprodukcyjnego. Niektóre drewno zawiera środki konserwujące, takie jak arsenian miedzi i chromu (CCA), które mogą być toksyczne. Podczas szlifowania, wiercenia lub cięcia takich materiałów należy podjąć dodatkowe środki ostrożności, jednocześnie unikając wdychania oparów i zminimalizowania kontaktu ze skórą.

- Przedłużacze stosowane do powyższego urządzenia muszą być całkowicie rozwinięte. Minimalny przekrój przewodu to: 1,0 mm<sup>2</sup>
- Podczas korzystania z urządzenia na zewnątrz, należy podłączyć maszynę do zasilania z RCD i minimalnym przedłużaczem 1,5 mm<sup>2</sup> z wtyczką odporną na wodę
- Upewnij się, że ostrze bądź bity są bezpiecznie zamocowane przed rozpoczęciem użytkowania. Niezabezpieczone oprzyrządowanie może zostać wyrzucone z maszyny powodując ryzyko obrażenia
- Należy zawsze odczekać zanim urządzenie całkowicie się zatrzyma, przed jego odłożeniem
- Podczas korzystania z narzędzia, należy stosować wyposażenie ochronne, w tym: okulary ochronne, osłonę, nauszники przeciwhałasowe, odzież ochronną, włączając rękawice. Ponadto należy pamiętać o noszeniu maski przeciwpyłowej, zwłaszcza jeśli wiercenie powoduje powstanie pyłu
- Upewnij się, że posiadasz odpowiednie oświetlenie
- Upewnij się, że ostrze, czy też wiertło nie dotyka powierzchni obróbki przed jego uruchomieniem
- Używaj obydwu rąk podczas obsługi urządzenia
- Należy zawsze zaisolować rękojeść dodatkową, jeśli takowa została dołączona do zakupu, wyjątkiem jest niestosowanie jej w przypadkach określonych przez instrukcję obsługi
- Nie stosuj nacisku na urządzenie, takie działanie może spowodować skrócenie eksploatacji narzędzia
- Wiertła i ostrza mogą stać się gorące podczas obsługi, należy odczekać na ich schłodzenie przed ponownym użyciem
- Nigdy nie używaj rąk do usunięcia pyłu, strużyn bądź innych odpadów, które znajdują się w pobliżu ostrza, bądź wiertła
- W przypadku przenwania pracy operatora, należy dokończyć rozpoczęty proces, przed zwróceniem uwagi na czynnik rozpraszający
- W miarę możliwości korzystaj z ściśków bądź imadła, w celu przytrzymania przedmiotu obróbki
- Należy zawsze odłączyć narzędzie od zasilania przed wymianą bitu

- Należy regularnie przeprowadzać kontrolę ostrza i bitu, pod względem śladów zużycia, bądź uszkodzenia. Zaś uszkodzone elementy należy zreperować, przez wykwalifikowane centrum serwisowe
- Po zakończeniu pracy, należy odłączyć urządzenie od zasilania
- Okresowo, należy sprawdzać wszystkie wkręty, śrubki i nakrętki oraz inne elementy mocujące i dokręcić w razie potrzeby

## Bezpieczeństwo korzystania z narzędzi tnących

**OSTRZEŻENIE.** Przed podłączeniem urządzenia do źródła zasilania upewnij się, że napięcie zasilania jest takie samo. Zak podano na tabliczce znamionowej urządzenia. Źródło zasilania o napięciu większym niż określono dla narzędzia może spowodować poważne szkody dla użytkownika i uszkodzenia narzędzia. W razie wątpliwości, nie należy podłączać urządzenia. Przy użyciu źródła energii o napięciu mniejszym niż wartość znamionowa, może dojść do uszkodzenia silnika.

### Użytkowanie odpowiedniego narzędzia tnącego

- Należy się upewnić, że narzędzie tnące jest odpowiednio do danej pracy. Nie wolno zakładać, że narzędzie jest odpowiednie bez sprawdzenia dokumentacji produktu przed zastosowaniem.

### Ochrona oczu

- Zawsze należy nosić odpowiednie środki ochrony oczu podczas korzystania z narzędzi tnących
- Okulary do czytania nie zapewniają żadnej ochrony podczas korzystania z narzędzia; zwykłe soczewki nie są odporne na uderzenia i mogą ulec zniszczeniu

### Ochrona słuchu

- Zawsze należy nosić odpowiednie środki ochrony słuchu podczas korzystania z narzędzi, których poziom natężenia dźwięku może przekroczyć 85dB

### Ochrona dróg oddechowych

- Należy się upewnić o własnym oraz osób przebywających wokół o posiadaniu odpowiednich środków ochrony dróg oddechowych

### Ochrona dłoni

- Nie pozwól na zbliżenie dłoni do obracającego się ostrza, wiertła, czy tarczy. Należy użyć odpowiedniego 'popychacza' do krótszych materiałów obróbki z odpowiednim elektronarzędziem

### Świadomość innych osób przebywających wokół

- Obowiązkiem operatora jest upewnić się o nie narażeniu osób znajdujących się w pobliżu obszaru roboczego na hałas lub kurz i wyposażeniu ich w odpowiedni sprzęt ochronny

### Ukryte przedmioty

- Należy sprawdzić przedmiot roboczy i usunąć wszystkie gwoździe i inne obiekty osadzone w przedmiocie przed rozpoczęciem cięcia
- Nie wolno ciąć przedmiotu, który posiada osadzone obiekty, wyjątkiem są narzędzia, które nadają się do takiej pracy
- Ściany mogą ukrywać okablowanie, rury odpływowe, panele nadwozia przewody paliwowe, zaś wysoka trawa kamienie i szkło. Należy, więc zawsze przed rozpoczęciem pracy dokładnie sprawdzić obszar roboczy.

### Uwaga na wyrzucane odpady

- W niektórych przypadkach materiał odpadowy może być wyrzucany z prędkością narzędzia tnącego. Obowiązkiem operatora jest ochrona wszystkich osób znajdujących się wokół przed wyrzucanym materiałem odpadowym

### Montaż akesorii tnących

- Należy się upewnić, że narzędzie tnące zostało prawidłowo zmontowane, a klucze i inne regulatory zostały usunięte przed rozpoczęciem pracy
- Należy używać tylko zalecanych akcesoriów dla danego urządzenia
- Nie wolno podejmować prób modyfikacji narzędzi skrawających

### Direction of feed

- Always feed work into the blade or cutter against the direction of movement of the blade or cutter

### Uwaga na emisję ciepła

- Narzędzia tnące i obrabiane przedmioty nagrzewają się podczas użytkowania. Nie wolno dokonywać próby wymiany narzędzia do jego całkowitego ostygnięcia



## Kontrola odpadów

- Nie wolno dopuścić do spiętrzania się kurzu i materiału odpadowego. Trociny są zagrożeniem pożarowym, zaś niektóre metalowe opiłki są wybuchowe
- Należy zachować szczególną ostrożność podczas cięcia drewna i metalu. Wydobywające się iskry w trakcie cięcia elementów metalowych są częstą przyczyną pożarów pozostałych trocin i innych odpadów drewnianych
- W miarę możliwości należy używać systemu odsysania pyłu w celu zapewnienia bezpiecznego środowiska pracy

## Przedstawienie produktu

- Prowadnica
- Okno podglądowe
- Rękojeść dodatkowa
- Korpus maszyny
- Rękojeść główna
- Pokrętło blokady ogranicznika głębokości
- Wskaźnik zero
- Ogranicznik głębokości
- Pokrętło blokady prowadnicy kątovej
- Prowadnica kątovej
- Grzebień maszyny
- Płyta czołowa
- Nakładki antypoślizgowe
- Grzebień prowadnicy
- Klucz sześciokątny
- Pokrętło zmiany wysokości prowadnicy
- Pokrętło blokady wysokości prowadnicy
- Podziałka wysokości
- Uchwyt na wiertło
- Sprężyna powrotna
- Włącznik On/Off
- Przyłącze do odsysania pyłu

**Akcesoria dostępne w zestawie:** 2 x 8 mm średnica wiertła, klucz sześciokątny oraz adapter do przyłącza do odsysania pyłu

## Zastosowanie zgodne z przeznaczeniem

Przenośne zasilane sieciowo urządzenie, przeznaczone do wykonywania powtarzalnych otworów na kołki, w celu tworzenia połączeń w drewnie.

## Przygotowanie do eksploatacji

### Montowanie wiertła

**OSTRZEŻENIE:** Wiertła są bardzo ostre; zawsze należy nosić rękawice ochronne oraz zachować szczególną ostrożność podczas obsługi wiertła.

- Obróć jeden z uchwytów na wiertło (19) aż się dostanie do wkrętu mocującej (Zdjęcie A)
- Odkręć wkręt przy pomocy dołączonego klucza sześciokątnego (15)
- Trzymaj wiertło tak, aby płaski trzon był dostosowany do wkrętu mocującego.
- Włóż trzon tak daleko jak sięga chwyt na wiertło i przykręć wkręt
- Sprawdź czy wiertło zostało poprawnie przymocowane
- Powtórz czynność z drugim wiertłem

### Zerowanie ogranicznika głębokości

Po zamontowaniu wiertła, należy zresetować ogranicznik głębokości (8) oraz wskaźnik zero (7) aby dokonać prawidłowego odczytu (Zdjęcie C)

- Odkręć pokrętło blokady ogranicznika głębokości (6) tak, aby ogranicznik mógł się swobodnie przesuwać
- Wykorzystaj niepotrzebny kawałek drewna i umieść naprzeciw płyty czołowej (12) i delikatnie pchnij korpus maszyny (4) w przód do momentu zatrzymania, aby punkty cięcia wiertła były na tym samym poziomie z płytą czołową. Utrzymaj taką pozycję.

**Uwaga:** W zależności od używanego wiertła, może się okazać, że znajduje się bardzo blisko poziomu z płytą czołową, co może wymagać jedynie niewielkiego lub drobnego przesunięcia.

- Przesuń ogranicznik głębokości (8) najdalej jak to tylko możliwe od płyty czołowej i przykręć pokrętło blokady ogranicznika głębokości nadal utrzymując pozycję z podpunktu 2
- Poluzuj i przekręć wskaźnik zerowy (7) powoli, tak aby wskaźniczka była wyrównana z wartością '0' na ograniczniku głębokości po czym dokręć.
- Dokonaj finalnego sprawdzenia, aby upewnić się, że wiertła są wypozomowane z płytą czołową, kiedy wskaźnik zerowy jest wyrównany z wartością '0' na ograniczniku głębokości.

**Uwaga:** Nie ma potrzeby dokonywania regulacji pozycji zerowej na wskaźniku zero ponownie, tylko do momentu zmiany wiertła.

### Podłączanie systemu do odsysania pyłu

- Wepchnij adapter w przyłącze do odsysania pyłu (22 & Zdjęcie B)
- Podłącz wąż od systemu odsysania pyłu do adaptera i upewnij, że został prawidłowo podłączony.

**Uwaga:** Adapter może być dostosowany do dowolnej pozycji za pośrednictwem łuku 180 ° w kierunku użytkownika.

### Ustawienie prowadnicy kątovej

Prowadnica (1) może być nachylona pod kątem 90°, z znacznikami do szybkiego i łatwego ustawienia 22,5°, 45° i 67,5°.

W celu ustawieniażądanego kąta:

- Odkręć pokrętło blokady prowadnicy (9).
- Obróć prowadnicę na wymagany kąt na prowadnicy kątovej (10), patrz zdjęcie D
- Przykręć pokrętło blokady prowadnicy kątovej, aby została poprawnie przymocowana

**Uwaga:** Sprawdź czy prowadnica została bezpiecznie zablokowana, przed przystąpieniem do wiercenia; nieprzestrzeganie powyższych zaleceń może skutkować uszkodzeniem przedmiotu obróbki, bądź maszyny, jeśli prowadnica będzie się poruszać podczas pracy

**Uwaga:** Prowadnica kątovej jest tylko przybliżeniem; skorzystaj z dodatkowego pomiaru kąta w celu dokładnego sprawdzenia kąta prowadnicy

### Korzystanie z okienka podglądowego

- Trzy linie na oknie podglądowym (2) określają:
  - Środek każdego wiertła,
  - Środek pomiędzy dwoma wiertłami.
- Korzystanie z linii pozwoli na dokładne ustawić nawiercane otwory z oznaczeniami na materiale obróbki (Zdjęcie G)

**UWAGA:** Zierarka do połączeń kołkowych wykonuje otwory w odległości 32 mm, co sprawia, że narzędzie jest kompatybilne z systemem 32" techniki stolarskiej – idealne do tworzenia starannie rozmieszczonych rzędów w ścianach sztafk.

### Regulacja głębokości wiercenia

- Ogranicznik głębokości (8) umożliwia ustawienie głębokości wiercenia pomiędzy 0 – 38 mm (Zdjęcie F)
  - Podczas wymiany wiertła, bądź zamontowaniu nowych wskaźnik zero (7) oraz ogranicznik głębokości (8) muszą zostać zresetowane. Patrz podrozdział 'Zerowanie gornaicznika głębokości'.
  - Użyj skali na prowadnicy aby ustawić wymaganą głębokość odwiertu
- Odkręć Pokrętło blokady ogranicznika głębokości (6) tak, aby ogranicznik głębokości mógł się przesuwać tam i z powrotem
  - Ustaw ogranicznik głębokości, tak aby żądana głębokość (na skali) była zrównana ze wskaźnikiem zero (7)
  - Przykręć pokrętło blokady ogranicznika głębokości, w celu zabezpieczenia dokonanych ustawień. Spowoduje to ograniczenie przesunięć korpusu maszyny, a tym samym sprawi, że dokonane ustawienia, sprawdzą się podczas wiercenia.

### Regulacja wysokości wiercenia

Precyzyjny mechanizm zębatakowy umożliwiają dostosowanie wysokości wiercenia od 9 mm do 43 mm (Zdjęcie G)

- Odkręć pokrętło blokady wysokości prowadnicy (17)
- Obróć pokrętło zmiany wysokości prowadnicy (16) aby zwiększyć, bądź zmniejszyć wysokość prowadnicy
- Wyrównaj czarną strzałkę na mechanizmie regulacji wysokości z wymaganą wysokością na podziale wysokości
- Przykręć pokrętło blokady wysokości prowadnicy (1) na ustawionej wysokości

# Obsługa

**WAŻNE:** Zawsze korzystaj z obu rąk podczas obsługi urządzenia. Trzymaj korpus narzędzia (4) w jednej ręce, z palcami spoczywającymi na włączniku On/Off (21) oraz drugą ręką trzymającą rękojścię dodatkową (3), dzięki czemu urządzenie jest bezpiecznie obsługiwane.

## Włączanie i wyłączanie

- Aby uruchomić maszynę ściśnij włącznik On/Off (21)
- Zwolnij ścisł włącznika On/Off aby wyłączyć urządzenie

### Uwagi:

- Aby wykonać otwory kołkowe, należy najpierw ustawić frezarkę do połączeń tak jak opisano w rozdziale "Przygotowanie do eksploatacji", po czym przygotować materiał obróbki poprzez zaznaczenie na nim ołówkiem miejsc, w którym mają być nawiercone otwory
  - Bardzo istotnym jest dokładne zaznaczenie miejsca nawierczanych otworów. Łatwiejszym może się okazać luźne połączenie dwóch kawałków ze sobą w dokładnie wymaganej pozycji i zaznaczenie obu materiałów, po czym wywiercenie otworu. Ponownie połącz elementy, z pierwszych 2 kołkami zamontowanymi, przed ponownym zaznaczeniem, gdzie wymagane są kolejne kołki rozporowe. Idealne środkowe położenie jest korzystne w pierwszych otworach ustalających.
  - Przy łączeniu drewna istnieje niewielka tolerancja, dlatego też wykonanie dokładnego pomiaru jest ważne przez cały czas. Najbardziej krytycznymi otworami są te, które znajdują się na krawędzi przedmiotu obróbki, tak, więc miejsce na najbezpieczniejsze pomylki znajduje się po środku elementu, gdzie dodatkowo kolejne otwory mogą być nawiercone w razie potrzeby
  - Obrabiany element powinien zostać zaciśnięty do stołu roboczego, jednakże istnieje możliwość skorzystania z antypoślizgowych podkładek pomiędzy przedmiotem obróbki, a stołem roboczym, co może okazać się wystarczające w niektórych przypadkach
1. Trzymaj budowę narzędzia, tak aby palce spoczywały na włączniku On/Off (21)
  2. Wywróć prowadnicę dzięki oknu podglądowemu (2) z zaznaczonymi ołówkiem miejscami na obrabianym elemencie, po czym ustaw frezarkę w gotowości do nawiercenia otworów (Zdjęcie H)
  3. Ustaw maszynę naprzeciw obrabianego element, tak, aby płyta czołowa (12) i strona pod spodem prowadnicy (1) dotykały obrabianego materiału
  4. Naciśnij na przód prowadnicy z palcami umieszczonymi na maszynie, po czym sprawdź, że nie ma przerw pomiędzy płytą czołową i spodem prowadnicy. Przesuń swoją dłoń na tył rękojści (3), tak aby narzędzie było odpowiednio zabezpieczone

**Uwaga:** Może być konieczne zabezpieczenie urządzenia poprzez nałożenie nacisku na prowadnicę (1) (Zdjęcie H) bardziej niż trzymanie rękojści dodatkowej (3) w celu upewnienia się, że urządzenie znajduje się w tej samej pozycji na drewnianym elemencie.

**Uwaga:** Może być także konieczne nałożenie nacisku, jeśli korzystasz z podkładek antypoślizgowych zabezpieczających obrabiany element, które wymagają większego nacisku na przedmiot. Należy tak robić wyłącznie, jeśli czujesz komfort podczas obsługi, jedną ręką urządzenie. Jednakże, idealnym należałoby trzymać obydwie ręce na urządzeniu podczas pracy, z obrabianym elementem zaciśniętym do stołu roboczego, co maksymalizuje bezpieczeństwo pracy.

5. Jednym ruchem, wciśnij włącznik On/Off (21) i pchnij korpus urządzenia w przód, tak, aby wiertła przebyły drewniany element (Zdjęcie I)
6. Pchnij korpus maszyny do przodu tak daleko jak to tylko możliwe, aż do momentu zatrzymania przez ogranicznik głębokości (8) do wykonania otworów w odpowiednim miejscu
7. Kiedy urządzenie jest włączone należy mu pozwolić wrócić do swojej oryginalnej pozycji, wyjmując wiertła z materiału obróbki. Trzymaj narzędzie bezpiecznie obiema rękoma podczas tej czynności
8. Kiedy otwory zostały nawiercone, zwolnij włącznik On/Off

**UWAGA:** Sprężyna powrotna (20) sprawi, że maszyna automatycznie wróci do pozycji spoczynku, wyjmując wiertła z materiału obróbki, kiedy nadal nakładana jest siła na płytę czołową na prowadnicy. Użytkownik powinien kontrolować wydobywanie wiertel z materiału, uważając, aby zostały wyjęte w takiej samej pozycji, co nawiercone otwory

9. Kiedy wiertła już zostaną całkowicie wyjęte z drewnianego elementu i przestaną się obracać, odsuń maszynę od materiału

**Uwaga:** Zaleca się przeprowadzenie próby na kawałku niepotrzebnego drewnianego materiału, aby w pełni być świadomym pracy frezarki do połączeń kołkowych

## Pozycjonowanie

- W celu wywiercenia otworów w powierzchni czołowej przedmiotu obrabianego, urządzenie musi być usytuowane prostopadle do powierzchni obrabianego elementu (Zdjęcie J)
- Zaleca się, aby operować maszyną zwróconą w dół do obrabianego elementu, tak, że masa maszyny współpracuje z kierunkiem działania, w przeciwieństwie do próby kierowania otwory w górę pod przedmiotem obróbki
- W przypadku potrzeby wywiercenia otworów zbyt daleko od krawędzi, skonfiguruj maszynę tak, aby prowadnica i płyta czołowa były ze sobą wyzycionowane. Dzięki czemu urządzenie może być ustawione pionowo na powierzchni, nawet dużych elementów obróbki (Zdjęcie K)
- Upewnij się, że urządzenie jest bezpiecznie ustawione przed rozpoczęciem wiercenia

## Korzystanie z przyrządu do połączeń, bądź szablonu

Maszyna jest wyposażona w grzebiel (11) oraz grzebiel prowadnicy, (14) co umożliwia szybkie wiercenie przy pomocy przyrządu do połączeń, bądź szablonu (brak w zestawie)

- Użycie tego przyrządu jak i szablonu pozwala na szybkie wykonywanie dokładnych otworów, a co za tym idzie przyspieszenie procesu tworzenia mebli. Sprawdza się również doskonale podczas tworzenia otworów na półki w regularnych odstępach

1. Zaciśnij przyrząd, bądź maszynę do przedmiotu obróbki w dokładnej pozycji, po przeprowadzeniu dokładnego pomiaru
2. Ustaw frezarkę do użycia grzebielania prowadnicy (14) bądź grzebielania maszyny (11) z przyrządem, bądź szablonem

**Uwaga:** Upewnij się, co do poprawnego ustawienia głębokości wiercenia, prowadnicy kątownej oraz wysokości prowadnicy

3. Wywierć otwory poprzez włożenie zębów grzebielania maszyny w gniazdo przyrządu do połączeń i wykonaj otwory jak zwykle

**Uwaga:** Korzystanie z przyrządu do połączeń lub szablonu jest idealny podczas pracy z frezarką skonfigurowaną na duże elementy obróbki zarówno z prowadnicą jak i płytą czołową wyzycionowaną

**Uwaga:** Chociaż istnieją w sprzedaży przyrządy do połączeń, alternatywnie taki przyrząd, bądź szablon może być skonstruowany

## Inne łączenia

**Uwaga:** Wszechstronność tego narzędzia wykracza daleko poza to, co zostało przedstawione w niniejszej instrukcji obsługi, a służy jedynie, jako wstęp do opisaną jego funkcji i operacji.

## Akcesoria

Szeroki zakres akcesoriów jest dostępny u dystrybutora firmy Triton. Zakup części zamiennych jest możliwy u dystrybutora narzędzi Triton lub na stronie internetowej [www.toolsparesonline.com](http://www.toolsparesonline.com).

## Konserwacja

**! OSTRZEŻENIE:** Przed przeprowadzeniem kontroli, czynności konserwacyjnych lub czyszczenia zawsze odłączaj urządzenie od źródła zasilania.

- Sprawdź przewód zasilania urządzenia pod kątem uszkodzeń i zużycia za każdym razem przed rozpoczęciem użytkowania urządzenia. Repairs should be carried out by an authorised Triton service centre. Zalecenie to dotyczy również przewodów zasilania wykorzystywanych przy urządzeniu
- Jeśli wymiana przewodu zasilającego jest konieczna, musi być wykonana przez producenta bądź jego agenta, aby uniknąć ryzyka bezpieczeństwa.

## Kontrola rutynowa

Regularnie sprawdzaj, czy wszystkie śruby mocujące są odpowiednio dokręcone. Wibracje mogą powodować ich poluzowanie

## Smarowanie

- Regularnie smaruj wszystkie elementy ruchome urządzenia odpowiednim środkiem smarnym w aerozolu

## Czyszczenie

**Uwaga:** ZAWSZE podczas czyszczenia urządzenia stosuj środki ochrony osobistej, takie jak okulary i rękawice ochronne.

- Należy zawsze dbać o czystość urządzenia. Brud i kurz powodują szybsze zużycie elementów wewnętrznzych i skracają okres eksploatacji urządzenia
- Należy wytrzeć urządzenie miękką szmatką lub suchą ścierką

- Do czyszczenia elementów plastikowych nie należy używać środków żrących. Jeśli czyszczenie na sucho nie przynosi wystarczających efektów, zalecane jest użycie wilgotnej szmatki i łagodnego detergentu
- Nie wolno dopuszczać do kontaktu urządzenia z wodą
- Upewnij się, że urządzenie jest całkowicie suche przed ponownym włączeniem
- Jeśli to możliwe, przedmuchać otwory wentylacyjne czystym powietrzem sprężonym (w stosownych przypadkach)
- W celu wymiany szczotek wykręć cztery wkręty, które zabezpieczają główny uchwyty (5). Zdejmij ostrożnie dwa boki, upewniając się, że nie uszkodzisz, ani pociągniesz kabla. Wyjmij zużyte szczotki i włóż nowe. Nałoż ponownie obudowę na miejsce, przykręcając wkręty. Alternatywnie oddaj maszynę do autoryzowanego centrum serwisowego.

## Szczotki

- Szczotki węglowe wewnątrz silnika mogą ulec zużyciu z biegiem czasu
- Nadmierne zużycie szczotek może powodować utratę mocy, sporadyczne awarie lub widoczne iskrzenie

## Utylizacja

Należy zawsze przestrzegać przepisów krajowych dotyczących utylizacji elektronarzędzi, które nie są już funkcjonalne i nie nadają się do naprawy.

- Nie wyrzucaj elektronarzędzi, baterii lub innych odpadów elektrycznych i elektronicznych (WEEE) wraz z odpadami komunalnymi.
- Skontaktuj się z władzami lokalnymi zajmującymi się utylizacją odpadów, aby uzyskać informacje na temat prawidłowego sposobu utylizacji elektronarzędzi i baterii.

## Gwarancja

W celu rejestracji gwarancji odwiedź naszą stronę internetową [www.tritontools.com](http://www.tritontools.com)\* i podaj odpowiednią dane. Dane zostaną dodane do naszej listy wysyłkowej (chyba, że wskazano inaczej) w celu przesyłania informacji dotyczących przyszłych produktów. Dostarczone dane nie zostaną udostępnione osobom trzecim.

## Protokół zakupu

Data zakupu: \_\_\_ / \_\_\_ / \_\_\_

Model: TDJ600 Należy zachować paragon jako dowód zakupu

## Deklaracja Zgodności WE

Niżej podpisany: Mr Darrell Morris

upoważniony przez: Triton Tools

Oświadczam, że

Kod identyfikacyjny: 186171

Opis: Frezarka do połączeń kółkowych

Produkt jest zgodny z następującymi dyrektywami oraz normami:

- Dyrektywa maszynowa 2006/42/EC
- Dyrektywa niskonapięciowa 2006/95/EC
- Dyrektywa kompatybilności elektromagnetycznej 2014/108/EC
- Dyrektywa RoHS 2011/65/EU
- EN60745-2-19:2005+A1:2010
- EN60745-1:2009+A11:2010
- EN55014-1-2:2009+A2:2011
- EN55014-2-1:1997+A2:2008
- EN61000-3-2:2014
- EN61000-3-3:2013 • EN62321:2009

Precyzyjne Elektronarzędzia Triton gwarantują nabywcy tego produktu pewność, iż w razie usterki bądź uszkodzenia z powodu wad materiałowych lub jakości wykonania, w ciągu 3 lat od daty zakupu, firma Triton naprawi bądź według własnego uznania bezpłatnie wymieni uszkodzoną część.

Powyższa gwarancja nie pokrywa szkód spowodowanych naturalnym zużyciem, nieprawidłowym użytkowaniem, nieprzestrzeganiem zaleceń obsługi, wypadkami lub wykorzystaniem urządzenia do celów komercyjnych.

\* Zarejestruj swój produkt w ciągu 30 dni od daty zakupu.

Obowiązują zasady i warunki użytkowania.

Powyższe postanowienia nie mają wpływu na prawa ustawowe klienta.

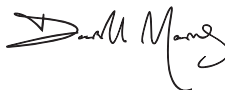
Jednostka notyfikowana: TÜV SÜD Product Service

Dokumentacja techniczna produktu

znajduje się w posiadaniu: Triton Tools

Data: 05/05/2015

Podpis:



Darrell Morris

Dyrektor Naczelny

Nazwa i adres producenta:

Powerbox International Limited, zarejestrowany pod numerem 06897059.

Adres rejestracyjny firmy : Powerbox, Boundary Way, Lufton Trading Estate,

Yeovil, Somerset BA22 8HZ, United Kingdom.

# Перевод исходных инструкций

## Введение

Благодарим за выбор инструмента Triton. В этом руководстве содержится информация, необходимая для безопасной и эффективной эксплуатации изделия. Данное изделие отличается некоторыми уникальными особенностями, и даже если вы уже знакомы с аналогичными изделиями, важно внимательно прочитать это руководство и понять содержащиеся в нем инструкции. Убедитесь, что каждый пользователь инструмента ознакомился с руководством и понял его.

## Символы и обозначения

На паспортную табличку инструмента могут быть нанесены символы. Они предоставляют важную информацию об изделии или инструкции по его эксплуатации.



Пользоваться средствами защиты органов слуха  
Пользоваться средствами защиты органов зрения  
Пользоваться средствами защиты органов дыхания  
Пользоваться средствами защиты головы



Пользоваться средствами защиты рук



Прочитайте руководство



**Внимание!** Острые ножи или зубья!



**БЕРЕЧЬ** от дождя и влаги!



Перед регулировкой, сменой оснастки, чисткой, обслуживанием и хранением прибора всегда отключайте его от сети питания.



**ВНИМАНИЕ!** Движущиеся детали: опасность раздавливания и порезов.



Осторожно!



Конструкция класса II (двойная изоляция для дополнительной защиты)



Охрана окружающей среды  
**Утилизация электротехнических изделий с бытовым мусором запрещена.** Такие изделия сдают в пункты утилизации, имеющие специальное оборудование. За рекомендациями по утилизации обращайтесь в местные органы власти или к дилеру.



Соответствует применимым законодательным актам и нормам безопасности.

## Сокращения технических терминов

V	Вольты
~, AC	Переменный ток
A, mA	Ампер, миллиампер
n	Частота вращения без нагрузки
n	Номинальная частота вращения
Ah	Ампер-час (емкость аккумулятора)
°	Градусы
Ø	Диаметр
Hz	Герц
— — —, DC	Постоянный ток
W, kW	Ватт, киловатт
/min or min <sup>-1</sup>	Число операций в минуту
λ	Длина волны
dB(A)	Уровень звука в децибелах (взвешенный по A)
m/s <sup>2</sup>	Метры в секунду в квадрате (значение вибрации)

## Технические характеристики

Номер модели:	TDJ600
Напряжение:	220-240 В~ 50/60Hz
Входная мощность:	710 Вт
Частота вращения без нагрузки:	17 000 мин <sup>-1</sup>
Шаг сверл:	32 мм
Глубина сверления:	0-38 мм
Диаметр сверла:	6-10 мм
Диапазон углов направляющей:	0-90°
Регулировка по высоте:	9-43 мм
Класс защиты:	
Длина электрического шнура:	3 м
Габаритные размеры (Д x Ш x В):	470 x 155 x 220 мм
Масса:	2,8 кг

Ввиду того, что продукция постоянно совершенствуется, технические характеристики изделий Triton могут изменяться без уведомления.

## Информация по шуму и вибрации

Уровень звука излучения L <sub>pa</sub> :	88,4 дБ(A)
Корректированный уровень звуковой мощности L <sub>WA</sub> :	99,4 дБ(A)
Погрешность K:	3 дБ
Взвешенная вибрация:	2,584 м/с <sup>2</sup>
Погрешность:	1,5 м/с <sup>2</sup>

Уровень звука, воздействующего на оператора, может превышать 85 дБ(A). Использование средств защиты органов слуха обязательно.

**ВНИМАНИЕ!** Если уровень звука превышает 85 дБ(А), то обязательно пользуйтесь средствами защиты органов слуха. При необходимости ограничивайте продолжительность работы. Если шум вызывает дискомфорт даже при использовании средств защиты, немедленно выключите инструмент и убедитесь, что защита надежна правильно, а ее звукоизолирующие характеристики соответствуют уровню звука, вырабатываемого инструментом.

**ВНИМАНИЕ!** Воздействие вибрации инструмента на человека может вызывать потерю чувствительности, онемение, покраснение и снижение способности удерживать предметы. Продолжительное воздействие чревато развитием хронических заболеваний. При необходимости ограничивайте продолжительность работы и пользуйтесь антивибрационными перчатками. Не работайте в ручном режиме, если температура ниже комфортного уровня: в таких условиях вибрация оказывает более выраженное воздействие на организм. Продолжительность и периодичность работы с инструментом можно рассчитать по значениям, которые приведены в разделе «Технические характеристики».

Указанные в характеристиках уровни звука и вибраций получены в соответствии с EN60745 или аналогичными международными стандартами. Значения справедливы для инструмента в нормальном рабочем состоянии, эксплуатируемого в нормальных условиях. Нарушение регламента обслуживания, порядка сборки или эксплуатации инструмента может явиться причиной повышения уровня звука и вибраций. На сайте [www.osha.europa.eu](http://www.osha.europa.eu) представлена информация по уровням звука и вибраций на рабочем месте, которая может оказаться полезной для пользователей, работающих с инструментом в бытовых условиях в течение продолжительного времени.

## Общие правила техники безопасности

**ВНИМАНИЕ!** Ознакомьтесь со всеми предупреждениями и инструкциями инструмента. Пренебрежение предупреждениями и инструкциями чревато поражением электрическим током, пожаром и/или серьезными травмами.

**ВНИМАНИЕ!** Эксплуатация прибора детьми, лицами с ограниченными физическими или умственными возможностями и лицами, не имеющими достаточного опыта или знаний, разрешается только при условии, что они будут находиться под присмотром ответственного за их безопасность или получат от него необходимые инструкции по работе с прибором. Не оставляйте детей без присмотра и не позволяйте им играть с прибором.

Сохраните все предупреждения и инструкции на будущее.

В разделе, посвященном технике безопасности, термин «электроинструмент» относится как к проводным (работающим от сети), так и к беспроводным (работающим от аккумулятора) инструментам.

### 1) Безопасность на рабочем месте

- a) Следите за чистотой и освещенностью рабочего места. Беспорядок или недостаток освещения повышают вероятность несчастного случая.
- b) Не работайте с электроинструментом во взрывоопасной атмосфере (например, в присутствии воспламеняющихся жидкостей, газов или пыли). Электроинструмент вырабатывает искры, которые могут воспламенить пыль или пары.
- в) Во время работы с электроинструментом не позволяйте детям и посторонним лицам приближаться к вам. Они будут отвлекать ваше внимание, и вы можете потерять управление.

### 2) Электробезопасность

- a) Вилки электроинструмента должны соответствовать розеткам. Категорически запрещается вносить какие-либо изменения в конструкцию вилок. Не разрешается подключать заземленный электроинструмент к сети через переходники. Применение стандартных вилок и соответствующих им розеток снижает риск поражения электрическим током.
- b) Не касайтесь заземленных предметов: трубопроводов, радиаторов, электрических плит и холодильников. Если ваше тело заземлено, то риск поражения электрическим током увеличивается.
- в) Берегите электроинструмент от дождя и влаги. Попадание воды внутрь электроинструмента увеличивает риск поражения электрическим током.
- г) Не допускайте повреждения электрического шнура. Запрещается переносить, тянуть или отключать электроинструмент от сети за шнур. Берегите шнур от нагрева, контакта с маслом, острыми крошками или движущимися деталями. Поврежденный или запутанный шнур увеличивает риск поражения электрическим током.

- д) При работе с электроинструментом вне помещения пользуйтесь удлинителем, пригодным для эксплуатации в таких условиях. Применение удлинителя, пригодного для эксплуатации вне помещения, снижает риск поражения электрическим током.
  - e) Если работа во влажных условиях неизбежна, то электроинструмент следует подключать к источнику питания, снабженному устройством защитного отключения (УЗО). Применение УЗО снижает риск поражения электрическим током.
  - ж) При эксплуатации инструмента на территории Австралии или Новой Зеландии рекомендуется ВСЕГДА включать в цепь питания устройство защитного отключения (УЗО) с номинальным остаточным током 30 мА или меньше.
- ### 3) Личная безопасность
- a) Будьте внимательны, следите за тем, что делаете и руководствуйтесь здравым смыслом при работе с электроинструментом. Запрещается пользоваться электроинструментом, если вы устали или находитесь под действием алкоголя, наркотиков или лекарственных препаратов. Даже кратковременное ослабление внимания во время работы чревато тяжелой травмой.
  - b) Пользуйтесь средствами индивидуальной защиты. Всегда пользуйтесь средствами защиты органов зрения. Грамотное применение средств защиты (например, респиратора, нескользкой защитной обуви, каски или средств защиты органов слуха) снижает риск травм.
  - в) Не допускайте непреднамеренного включения. Перед тем как подключить инструмент к розетке и/или аккумулятору, поднимать или переносить его убедитесь, что выключатель питания находится в положении «выключено». Если держать палец на выключателе питания при переносе инструмента или жарить инструмент с включенным выключателем питания, то риск несчастного случая увеличится.
  - г) Убирайте регулировочные ключи прежде чем включать электроинструмент. Гачечный ключ, соединенный к вращающейся части электроинструмента, может нанести травмы.
  - д) Не тянитесь за пределы комфортной зоны досягаемости. Твердо стойте на ногах и сохраняйте равновесие. Это позволит увереннее контролировать инструмент в неожиданных ситуациях.
  - e) Одевайтесь надлежащим образом. Свободная одежда и украшения не допускаются. Держите волосы, одежду и перчатки подальше от движущихся частей инструмента. Свободную одежду, украшения или длинные волосы может наматывать на движущиеся части.
  - ж) Обязательно пользуйтесь устройствами вытяжки и сбора пыли, если конструкцией предусмотрены соединители для них. Соблюдайте правила их эксплуатации. Такие устройства снижают риски, связанные с пылью.
- ### 4) Эксплуатация электроинструмента и уход за ним
- a) Не допускайте перегрузки электроинструмента. Правильно подбирайте инструмент под свои задачи. Грамотно подобранный инструмент будет работать качественнее и безопаснее без превышения номинальной нагрузки.
  - b) Не работайте с электроинструментом, если выключатель питания не включается или не выключается. Любой электроинструмент с неработающим выключателем опасен и подлежит ремонту.
  - в) Отсоединяйте электроинструмент от розетки и/или аккумулятора, прежде чем выполнять настройку, менять оснастку или укладывать его на хранение. Данная мера предосторожности исключает случайный пуск инструмента.
  - г) Храните электроинструмент в местах, недоступных для детей, и не позволяйте работать с ним лицам, не знакомым с электроинструментом или не изучившим данные инструкции. Электроинструмент опасен в неумелых руках.
  - д) Обслуживайте электроинструмент. Следите за тем, чтобы не было бения или заедания движущихся частей, сломанных деталей или признаков других неисправностей, способных повлиять на работу электроинструмента. Если инструмент поврежден, то эксплуатацию разрешается возобновлять только после ремонта. Причиной многих несчастных случаев становится неудовлетворительное обслуживание электроинструмента.
  - e) Следите за чистотой режущего инструмента и состоянием его режущих кромок. Если режущий инструмент надлежащим образом обслужен, то снижается вероятность защемления и облегчается управление.
  - ж) Соблюдайте эти инструкции при эксплуатации электроинструмента, оснастки и режущего инструмента. Учитывайте условия и особенности предстоящей работы. Использование электроинструмента не по назначению может быть опасным.

## 5) Ремонт

- a) Ремонт электроинструмента должен производиться квалифицированным специалистом с использованием идентичных запчастей. Только в этом случае ремонт электроинструмента не скажется на его безопасности отрицательным образом.

# Правила техники безопасности при работе с заточным станком



**ВНИМАНИЕ!**

- Режущий инструмент присадочного и ламельного фрезеров должен быть рассчитан на частоту вращения не ниже указанной на корпусе изделия. Превышение номинальной частоты вращения может привести к вылету режущего инструмента и травмам.
- Всегда используйте ограждения и другие устройства защиты, предусмотренные конструкцией инструмента. Они защищают оператора от осколков режущего инструмента и непреднамеренного контакта с острыми кромками или зубьями.
- Не позволяйте лицам младше 18 лет работать с этим инструментом. Проследите за тем, чтобы операторы были ознакомлены с этими инструкциями по эксплуатации и требованиям безопасности.
- Если во время работы режущий инструмент может коснуться шнура питания, то электроинструмент следует держать только за изолированные рукоятки. Надрезание находящегося под напряжением проводника может привести к тому, что неизолированные металлические детали инструмента тоже окажутся под напряжением. Это чревато поражением электрическим током.
- Замена поврежденного электрического шнура (в случае необходимости) должна выполняться производителем, его сервисным представителем или лицами аналогичной квалификации.
- Настоятельно рекомендуется включать инструмент через устройство защитного отключения с номинальным остаточным током 30 mA или меньше.

**ВНИМАНИЕ!** Не используйте затупившиеся или поврежденные сверла.

**Внимание!** Перед работой проверьте работоспособность системы отвода ограждения.



Используйте подходящие средства защиты органов дыхания. При работе с этим инструментом может выделяться пыль, содержащая химические вещества, которые вызывают рак, дефекты плода и другие повреждения репродуктивной системы. Некоторые сорта лесоматериалов содержат консерванты (например, арсенат хрома), которые могут быть ядовитыми. Соблюдайте особую осторожность при шлифовании, сверлении или пилении таких материалов. Не допускайте вдыхания и сведите к минимуму контакт с кожей.

- 1) Катушки удлинительных кабелей, используемых с этим инструментом, должны быть полностью размотаны. Минимальное сечение проводника: 1,0 мм<sup>2</sup>.
- 2) При работе с инструментом вне помещения, подключайте его к источнику питания с УЗО. Применяйте удлинительный кабель сечением не менее 1,5 мм<sup>2</sup> с защитными от воды соединителями. Кабель должен быть в хорошем рабочем состоянии.
- 3) Перед использованием убедитесь, что режущий инструмент установлен надежно. Плохо закрепленный режущий инструмент может выбросить. Это опасно!
- 4) Не кладите инструмент до тех пор, пока она полностью не остановится.
- 5) При работе с инструментом пользуйтесь средствами защиты: защитными очками или щитками, средствами защиты органов слуха и защитной одеждой (включая защитные перчатки). Если при сверлении производится пыль – пользуйтесь респиратором.
- 6) Обеспечьте достаточное освещение.
- 7) При запуске инструмента резец или нож НЕ должны касаться заготовки!
- 8) При работе с этим инструментом держите его обеими руками.
- 9) Обязательно установите вспомогательные рукоятки, идущие в комплекте с инструментом (допустимые исключения для некоторых задач явным образом указаны в инструкции).

- 10) Не давите на инструмент: это сократит срок его службы.
- 11) Резцы и ножи разогреваются во время работы. Не касайтесь их, пока они не остынут.
- 12) Запрещается удалять пыль, стружку и отходы с участков вблизи реза или ножа руками.
- 13) Если вас прервали во время работы, остановитесь, отключите инструмент и только потом отвлекитесь от него.
- 14) По возможности фиксируйте заготовку струбцинами или тисками.
- 15) Менять режущий инструмент разрешается только после того, как прибор будет отключен от источника питания.
- 16) Регулярно осматривайте резец или нож на предмет износа и повреждений. Поврежденные детали сдавайте на ремонт в специализированный сервисный центр.
- 17) После завершения работ отключайте инструмент от источника питания.
- 18) Периодически проверяйте все гайки, болты и другие крепежные детали и, при необходимости, подтягивайте их.

## Безопасность при работе с режущим инструментом

**ВНИМАНИЕ!** Перед подключением инструмента к источнику питания (точке подключения, розетке и т.д.) убедитесь, что напряжение питания соответствует значению, указанному на паспортной табличке инструмента. Если напряжение источника питания выше этого значения, то подключение инструмента к такому источнику может привести к серьезным травмам пользователя и выходу инструмента из строя. Если имеются сомнения – не подключайте инструмент. Использование источника питания, напряжение которого ниже номинального напряжения инструмента, может привести к поломке электродвигателя.

### Используйте подходящий режущий инструмент

- Убедитесь, что инструмент подходит для выполнения работы. Не следует считать инструмент подходящим, не ознакомившись предварительно с документацией на изделие.

### Защита органов зрения

- При работе с режущими инструментами всегда используйте подходящие средства защиты органов зрения.
- Обычные очки не являются защитой при работе с этим изделием: линзы не обладают ударной прочностью и могут разбиться.

### Защита органов слуха

- Всегда используйте подходящие средства защиты органов слуха, если шум инструмента превышает 85 дБ.

### Защита органов дыхания

- Вы и окружающие должны использовать подходящие респираторы.

### Помните о безопасности рук

- Держите руки на безопасном расстоянии от режущего диска или ножей. При обработке коротких заготовок электроинструментом пользуйтесь подходящей палочкой-толкателем.

### Помните об окружающих

- Пользоваться обязан добычей того, чтобы другие люди, находящиеся вблизи рабочей зоны, не подвергались воздействию опасного шума или пыли и были обеспечены подходящими средствами защиты.

### Скрытые объекты

- Перед началом работы осмотрите заготовку и удалите все содержащиеся в ней посторонние объекты.
- Не пытайтесь обрабатывать заготовку с посторонними объектами, если не уверены в том, что установленный режущий инструмент соответствует такой работе.
- В стенах может находиться скрытая проводка и трубопроводы, за кузовными элементами автомобиля могут располагаться топливотопроводы, а в длинной траве могут скрываться камни и стекло. Всегда тщательно проверяйте рабочую зону перед началом работы.

### Остерегайтесь разлетающихся отходов

- В некоторых случаях отходы могут отлетать от режущего инструмента на высокой скорости. Пользователь обязан принять все меры защиты людей, находящихся в рабочей зоне, от разлетающихся отходов.

## Установка режущих инструментов

- Следите за тем, чтобы режущие инструменты были установлены правильно и надежно. Перед началом работы проверьте, что ключи / регулировочные приспособления удалены.
- Используйте только те режущие инструменты, которые были рекомендованы для вашего устройства.
- Не пытайтесь изменять конструкцию режущих инструментов.

## Направление подачи

- Всегда подавайте заготовку на нож или резак в направлении, противоположном направлению движения ножа или резака.

## Берегитесь нагрева

- Режущие инструменты и заготовки могут нагреваться во время работы. Не пытайтесь сменить инструмент, не дожидаясь полного его остывания.

## Обеспечивайте удаление пыли / стружки

- Не позволяйте пыли или стружке скапливаться. Древесные опилки пожароопасны, а опилки некоторых металлов могут взрываться.
- Соблюдайте особую осторожность при обработке дерева и металла. Искры, возникающие при обработке металлов, являются распространенной причиной воспламенения древесной пыли.
- По возможности пользуйтесь системой вытяжки. Она позволит повысить безопасность рабочей среды.

# Product Familiarisation

- Направляющая
- Смотровое окошко
- Вспомогательная рукоятка
- Корпус инструмента
- Главная рукоятка
- Ручка фиксации глубиномера
- Индикатор нуля
- Глубиномер
- Ручка фиксации угла направляющей
- Регулятор угла
- Зубья для шаблона
- Передний упор
- Нескользящие накладки
- Планка для зубьев шаблона
- Шестигранный ключ
- Ручка регулировки высоты направляющей
- Ручка фиксации высоты направляющей
- Шкала высоты
- Держатели сверл
- Возвратная пружина
- Курковый выключатель
- Соединение для отвода пыли

**Поставляемая оснастка:** 2 сверла по 8 мм диаметром, шестигранный ключ и переходник для отвода пыли.

## Назначение

Портативный электроинструмент для формирования равномерно расположенных отверстий под шканты для соединения деревянных деталей. Инструмент питается от сети.

## Перед эксплуатацией

### Установка сверл

**ВНИМАНИЕ!** Сверла очень острые! Всегда пользуйтесь перчатками и соблюдайте осторожность.

- Поверните один из держателей сверл (19) так, чтобы получить доступ к крепежному винту (рисунок А).
- Ослабьте винт комплексным шестигранным ключом (15).
- Возьмите инструмент так, чтобы плоская часть хвостовика совместилась с крепежным винтом.

- Вставьте хвостовик до конца в держатель и зафиксируйте его крепежным винтом.
- Убедитесь, что инструмент закреплен надежно.
- Повторите эту процедуру с другим инструментом.

### Установка глубиномера на ноль

После установки сверл выполняют настройку глубиномера (8) и индикатора нуля (7), чтобы глубиномер работал правильно (рисунок С).

- Ослабьте ручку фиксации глубиномера (6) так, чтобы глубиномер мог свободно перемещаться.
- Прижмите ненужную доску к переднему упору и осторожно подведите корпус инструмента вперед (4) до упора таким образом, чтобы кончики сверл были на одном уровне с поверхностью переднего упора. Удерживайте инструмент в этом положении.

**Примечание.** Кончики некоторых сверл могут изначально располагаться очень близко к переднему упору, и требуемое смещение может быть минимальным или вообще нулевым.

- Отведите глубиномер (8) как минимум дальше от переднего упора и затяните ручку фиксации глубиномера, удерживая инструмент, как указано в пункте 2.
- Ослабьте и поверните индикатор нуля (7) так, чтобы указатель совместился с отметкой «0» на шкале глубины, после чего затяните индикатор.
- Выполните окончательную проверку и убедитесь, что когда индикатор нуля совмещен с отметкой «0» на шкале глубины, сверла выровнены по переднему упору.

**Примечание.** Положение индикатора нуля можно не регулировать повторно до замены сверл.

### Присоединение системы вытяжки пыли

- Вставьте комплектное соединение для отвода пыли в отверстие для отвода пыли (22 и рисунок В).
- Присоедините шланг системы вытяжки к соединению и убедитесь, что он закреплен надежно.

**Примечание.** Соединение можно располагать в любом положении в пределах дуги 180° в сторону оператора.

### Установка угла направляющей

Ход направляющей (1) составляет 90°. Предусмотрены вырезы для быстрой и удобной установки на углы 22,5°, 45° и 67,5°.

Установка требуемого угла выполняется в следующем порядке.

- Ослабьте ручку фиксации направляющей (9).
- Поверните направляющую на нужный угол по регулятору угла (10) (смотрите рисунок D).
- Закрепите направляющую в заданном положении ручкой фиксации.

**Примечание.** Прежде чем сверлить убедитесь, что направляющая надежно зафиксирована. В противном случае возможно смещение направляющей и повреждение заготовки или инструмента.

**Примечание.** Шкала регулятора угла является ориентировочной. При необходимости для контроля угла направляющей следует применять дополнительное угломерное оборудование.

### Использование смотрового окошка

- Три прямые линии на смотровом окошке (2) соответствуют:
  - осевым линиям каждого сверла;
  - центральной линии, проходящей между двумя сверлами.
- Эти метки используют для точного совмещения сверла с установочной разметкой на заготовке (рисунок G).

**ПРИМЕЧАНИЕ.** Двойной присадочный фрезер Triton выполнен отверстием с шагом ровно 32 мм. Таким образом, инструмент совместим с «системой 32» для изготовления шкафов и идеально подходит для формирования ровных рядом отверстий в стенках.

### Регулировка глубины сверления

- Глубиномер (8) позволяет задавать глубину резания в диапазоне 0–39 мм (рисунок F).
  - При смене сверл или установке новых сверл необходимо настраивать индикатор нуля (7) и глубиномер (8) на ноль. Смотрите раздел «Установка глубиномера на ноль».
  - Для задания нужной глубины použьются шкалой на направляющей.
- Ослабьте ручку фиксации глубиномера (6) так, чтобы глубиномер мог скользить вперед и назад.
  - Установите глубиномер так, чтобы требуемая глубина (на шкале) совпала с указателем индикатора нуля (7).

3. Зафиксируйте глубиномер в требуемом положении с помощью ручки фиксации. Это ограничит перемещение корпуса инструмента и, соответственно, глубину сверления заданной максимальной величиной.

## Регулировка высоты сверления

Реечная передача регулировки высоты направляющей позволяет изменять высоту сверления в диапазоне от 9 мм до 43 мм (рисунок G).

1. Ослабьте ручку фиксации высоты направляющей (17).
2. Поднимите или опустите направляющую с помощью ручки регулировки высоты направляющей (16).
3. Совместите черную стрелку на механизме регулировки высоты с требуемой отметкой на шкале высоты (18).
4. Зафиксируйте заданную высоту направляющей (1), затянув ручку фиксации высоты направляющей.

## Эксплуатация

**ВАЖНО!** Всегда удерживайте инструмент обеими руками при сверлении. Держите корпус инструмента (4) одной рукой, при этом палец должен удобно располагаться на курковом выключателе (21). Второй рукой необходимо удерживать вспомогательную рукоятку (3). (рисунок L)

### Включение и выключение

- Чтобы включить присадочный фрезер, нажмите на курковый выключатель (21).
- Чтобы отключить инструмент опустите курковый выключатель.

### Примечания.

- Чтобы полученные отверстия в заготовке соответствовали требованиям, необходимо настроить присадочный фрезер в соответствии с разделом «Перед эксплуатацией» (выше) и подготовить заготовку, разметив на ней точки сверления карандашом.
- Точная разметка заготовок очень важна. Проще всего будет приставить друг к другу две детали в требуемом положении, выполнить разметку карандашом по обеим деталям и затем просверлить отверстия. Затем следует установить первые 2 шканта, неплотно соединить детали вместе и разметить положение последующих шкантов. Лучшим положением для первых отверстий под шканты является середина соединяемых поверхностей.
- Допуск размеров в соединениях деревянных деталей шкантами очень узок, поэтому очень важно всегда выполнять измерения с высокой точностью. Самыми ответственными отверстиями обычно являются отверстия по краям заготовки, поэтому все погрешности положения должны накапливаться в направлении к середине заготовки, где при необходимости можно будет просверлить дополнительные отверстия под шкант.
- Заготовку нужно будет прижать к верстаку, хотя в некоторых случаях бывает достаточно нескольких подложки между заготовкой и верстаком.

1. Удерживайте корпус инструмента рукой так, чтобы палец лежал на курковом выключателе (21).
2. Совместите метки на смотровом окошке (2) с карандашной разметкой на заготовке и приведите присадочный фрезер в готовность к работе (рисунок H).
3. Установите инструмент на заготовку так, чтобы передний упор (12) и нижняя сторона направляющей (1) контактировали с заготовкой по всей поверхности.
4. Нажмите на переднюю часть направляющей пальцами другой руки, чтобы удерживать инструмент в заданном положении, и убедитесь, что перед передним упором или под направляющей нет зазоров. Верните руку обратно на рукоятку (3) и крепко возьмитесь за инструмент.

**Примечание.** Для того чтобы инструмент оставался неподвижным на заготовке, возможно, придется давить на направляющую (1) (рисунок H), а не держать руку на вспомогательной рукоятке (3).

**Примечание.** Возможно также и то, что придется прикладывать давление в том случае, если для крепления заготовки применяется несложная подложка, и необходимо большее усилие прижима заготовки. Это можно делать только в том случае, если вам удобно держать инструмент только одной рукой за корпус. В идеале во время работы инструмент следует держать обеими руками, а заготовка должна быть надежно прижата к верстаку. Это самое безопасное решение.

5. Одним плавным движением нажмите курковый выключатель (21) и подайте корпус инструмента вперед, чтобы сверла вошли в заготовку (рисунок I).

6. Сместите корпус инструмента вперед до упора в ограничитель глубины глубиномера (8), чтобы выполнить требуемые отверстия в нужных положениях.
7. Не отключая питание инструмента, дайте корпусу вернуться в исходное положение. При этом сверла выйдут из заготовки. При этом следует крепко удерживать инструмент обеими руками.

8. Когда сверла выйдут из отверстий, отпустите курковый выключатель.

**ПРИМЕЧАНИЕ.** Возвратная пружина (20) автоматически переводит корпус обратно в исходное положение и выводит сверла из заготовки. При этом сохраняется некоторое давление на передний упор и направляющую. Оператор должен тщательно контролировать выход сверл, удерживая инструмент в одном положении относительно просверленных отверстий.

9. Когда сверла выйдут из заготовки и прекратят вращение, поднимите инструмент с заготовки.

**Примечание.** Рекомендуется попрактиковаться в использовании присадочного фрезера на ненужных кусках древесины, чтобы полностью понять, как он работает.

### Позиционирование

- Чтобы просверлить отверстия в поверхности соединяемой детали необходимо расположить инструмент перпендикулярно этой поверхности.
- Рекомендуется, чтобы инструмент опирался на заготовку, чтобы сила тяжести соответствовала направлению обработки, вместо того, чтобы сверлить с направлением вверх из-под заготовки.
- Если нужно просверлить отверстия на большом расстоянии от края, настройте присадочный фрезер так, чтобы направляющая и передний упор располагались в одной плоскости. В этом случае фрезер можно будет располагать вертикально и свободного позиционировать даже на заготовках больших размеров (рисунок K). Прежде чем сверлить убедитесь, что инструмент надежно зафиксирован в выбранном положении.

### Использование шаблона

**Присадочный** фрезер имеет зубья для шаблона (11) и планку для зубьев (14), которые позволяют быстро сверлить отверстия по шаблону (не входит в комплект поставки).

- Применение шаблона позволяет быстро и точно сверлить отверстия и может ускорить процесс производства мебели. Кроме того, он идеально подходит для формирования отверстий под полки, расположенных с равным шагом.

1. Выполните измерения и присоедините шаблон к заготовке в требуемом положении
2. Настройте присадочный фрезер на использование планки для зубьев (14) или зубьев для шаблона (11) с шаблоном.

**Примечание.** Проследите за тем, что глубина сверления, угол направляющей и высота направляющей настроены соответствующим образом.

3. Чтобы просверлить требуемые отверстия совместите зубья фрезера с пазами в шаблоне, и выполните операцию в обычном порядке.

**Примечание.** Шаблон идеально подходит в случаях, когда присадочный фрезер настроен на свободное позиционирование по крупногабаритным заготовкам (направляющая и передний упор находятся в одной плоскости).

**Примечание.** Шаблоны для присадочных фрезеров существуют в продаже. Как вариант, можно изготовить шаблон самостоятельно.

## Прочие соединения

**Примечание.** Область применения этого инструмента гораздо шире охваченной в этом руководстве, в котором изложены всего лишь общие сведения о его функциональных возможностях и эксплуатации.

## Оснастка

Местный дилер Triton поставляет широкий ассортимент оснастки. Запчасти можно заказывать у дилера Triton или на сайте [www.toolsparsonline.com](http://www.toolsparsonline.com).



## Техническое обслуживание



**ВНИМАНИЕ!** ВСЕГДА отсоединяйте инструмент от источника питания перед очисткой или обслуживанием.

- Перед каждым использованием инструмента осматривайте шнур питания на предмет повреждений или износа. Эта рекомендация распространяется и на шнуры-удлинители, используемые с инструментом.
- Замена поврежденного электрического шнура (в случае необходимости) должна выполняться производителем, его сервисным представителем или лицами аналогичной квалификации.

### Общий осмотр

- Регулярно проверяйте затяжку всех крепежных винтов. Со временем затяжка может ослабевать от вибрации.
- Перед каждым использованием инструмента осматривайте шнур питания на предмет повреждений или износа. Ремонтные операции должны проводиться только официальным сервисным центром Triton. Эта рекомендация распространяется и на шнуры-удлинители, используемые с инструментом.

### Смазка

- Все движущиеся детали должны регулярно смазываться подходящей распыляемой смазкой.

### Очистка

**ВНИМАНИЕ!** При очистке этого инструмента ВСЕГДА пользуйтесь средствами защиты, включая средства защиты глаз и перчатки.

- Всегда держите инструмент в чистоте. Пыль и грязь ускоряют износ внутренних деталей и сокращают срок службы устройства.
- Для чистки корпуса используйте мягкую щетку или сухую тряпку.
- Запрещается использовать щелочные вещества для очистки пластиковых деталей. Если сухая чистка не дает желаемого результата, рекомендуется протереть инструмент влажной тряпкой с мягким моющим средством.
- Не допускайте контакта инструмента с водой.
- Тщательно высушите инструмент перед использованием.
- По возможности рекомендуется продувать вентиляционные отверстия сухим и чистым сжатым воздухом (при необходимости).

### Щетки

- Со временем угольные щетки внутри электродвигателя изнашиваются.
- Если щетки изношены слишком сильно, то возможна потеря мощности, прерывистая работа электродвигателя или видимое искрение.
- Чтобы заменить щетки, выкрутите четыре винта, крепящих корпус главной рукоятки (5). Вытащите две боковины, стараясь не потянуть и не повредить кабели. Вытащите изношенные щетки и вставьте новые. Аккуратно установите корпус на место, вставьте и затяните винты. Также можно сдать инструмент на обслуживание в официальный сервисный центр Triton.

### Утилизация

Утилизация неработающего и не подлежащего ремонту электроинструмента должна выполняться в строгом соответствии с государственными нормативами.

- Запрещается утилизировать электроинструмент или иной лом электрического и электронного оборудования с бытовым мусором.
- Обратитесь в местное управление по утилизации отходов за информацией о правильных методах утилизации электроинструмента.

## Декларация соответствия CE

**Нижеподписавшийся:** Господин Дэррел Моррис (Darrell Morris)

**уполномоченный компанией:** Triton Tools

Заявляет, что

**Идентификационный код:** 186171

**Описание:** Присадочный фрезер

**Соответствует следующим директивам и стандартам:**

- Директива по машинам 2006/42/EC
- Директива по низковольтному оборудованию 2006/95/EC
- Директива по электромагнитной совместимости 2014/108/EC
- Директива об ограничении использования вредных веществ 2011/65/EU
- EN60745-2-19:2005+A1:2010
- EN60745-1:2009+A11:2010
- EN55014-1:2009+A2:2011
- EN55014-2:1997+A2:2008
- EN61000-3-2:2014
- EN61000-3-3:2013 • EN62321:2009

**Уполномоченный орган:** TÜV SÜD Product Service

**Владелец технической документации:** Triton Tools

**Дата:** 05/05/2015

**Подпись:**

Господин Дэррел Моррис (Darrell Morris)

Директор

**Название и адрес производителя:**

Powerbox International Limited, Company No. 06897059. Юридический

адрес: Powerbox, Boundary Way, Lufton Trading Estate, Yeovil, Somerset

BA22 8HZ, United Kingdom (Великобритания).

# Az eredeti utasítások fordítása

## Bevezetés

Köszönjük, hogy megvásárolta ezt a Triton szerszámot! A jelen útmutató a termék biztonságos és hatékony üzemeltetéséhez szükséges információkat tartalmazza. Ez a termék egyedi tulajdonságokkal rendelkezik, és még ha Ön ismeri is a hasonló termékeket, mindenképpen alaposan olvassa el ezt az útmutatót, hogy megértse a benne levő utasításokat. Ügyeljen arra, hogy a szerszámot használó minden személy elolvassa és teljesen megértse ezeket az utasításokat.

## A szimbólumok leírása

A készülék adattábláján jelölések találhatóak. Ezek fontos információkat tartalmaznak a termékről vagy annak használatáról.



Viseljen fülvédőt.  
Viseljen védőszemüveget.  
Viseljen védőmaszkot.  
Viseljen fejdédőt.



Viseljen védőkesztyűt.



Olvassa el a kezelési útmutatót.



**Figyelem:** Éles pengék vagy fogak



Ne használja esőben vagy nedves környezetben!



Mindig válassza le a gépet a hálózati feszültségről, ha nem használja, vagy mielőtt bármilyen beállítási, tartozékcsere- vagy karbantartási vagy tisztítási műveletet végez.



**FIGYELEM:** A mozgó alkatrészek zúzódásos és vágott sérüléseket okozhatnak.



Figyelem!



II. érintésvédelmi osztály (kettős szigetelés a nagyobb védettség érdekében)



### Környezetvédelem

A leselejtezett elektromos termékeket nem szabad a háztartási hulladékba dobni. Kérjük, vigye el a megfelelő újrafelhasználási helyre, ha létezik ilyen. Keresse meg a helyileg illetékes hatóságokat vagy a forgalmazót az újrafelhasználásra vonatkozó tanácsokért.



A készülék megfelel a vonatkozó jogszabályoknak és biztonsági szabványoknak.

## Műszaki rövidítések

V	Volt
~, AC	Váltakozó feszültség
A, mA	Amper, milli-Amper
n <sub>0</sub>	Üresjáratú fordulatszám
n	Névleges sebesség
A <sub>b</sub>	Amperóra (akkumulátor kapacitás)
°	Fok
Ø	Átmérő
Hz	Hertz
---, DC	Egyenfeszültség
W, kW	Watt, kilowatt
/min or min <sup>-1</sup>	Percenkénti irányváltás vagy fordulat
λ	Hullámhossz
dB(A)	A-súlyozott zajszint decibelben
m/s <sup>2</sup>	Méter per szekundumnégyzet (rezgés nagysága)

## Műszaki adatok

Típuszám:	TDJ600
Feszültség:	220-240 V~, 50/60 Hz
Felvett teljesítmény:	710 W
Üresjáratú fordulatszám:	17 000 f/perc
Fúrószár osztásköz:	32 mm
Fúrési mélység:	0 – 38 mm
Fúrószár átmérője:	Ø6-10mm
Vezetőlemez szög tartomány:	0 - 90°
Magasságállítás:	9 – 43 mm
Védelmi osztály:	□
Hálózati vezeték hossza:	3 m
Méreték (M x Sz x H):	470 x 155 x 220 mm
Tömeg:	2,8 kg
A folyamatos termékfejlesztés részeként a Triton termékek műszaki adatai értesítés nélkül megváltozhatnak.	
<b>Zajra és rezgésre vonatkozó adatok:</b>	
Hangnyomás szintje L <sub>pa</sub> :	88,4 dB(A)
Hangteljesítmény, L <sub>wa</sub> :	99,4 dB(A)
Tűrés, K:	3 dB
Súlyozott vibráció:	2,584 m/s <sup>2</sup>
Tűrés:	1,5 m/s <sup>2</sup>
A kezelő számára a zajszint meghaladhatja a 85 dB(A) értéket, és kötelező a hallásvédő eszközök alkalmazása.	

**FIGYELEM:** Mindig viseljen hallásvédő eszközt, ha a zajszint meghaladja a 85 dB(A) értéket, és korlátozza a zajnak való kitettség időtartamát, amennyiben szükséges. Ha a zajszint még fülvédővel is kényelmetlen, azonnal hagyja abba a szerzőm használatát, és ellenőrizze, hogy a fülvédő megfelelően illeszkedik-e, és biztosítja-e a szerzőm által kellett hangszint megfelelő csökkentését.

**FIGYELEM:** A szerzőm vibrációja a felhasználónál a tapintásérzék elvesztését, szlibadást, bizsergő érzést és csökkent fogási készséget eredményezhet. A hosszú távú kitettség krónikus betegséget okozhat. Szükség esetén korlátozza a rezgésnek kitettség időtartamát, és használjon rezgéscsillapító kesztyűt. Ne használja a szerzőmot csupasz kézzel a normál, kellemes hőmérséklet alatt, mivel ekkor a rezgésnek erősebb lesz a hatása. A műszaki adatokban megadott vibrációs számadatokból kiszámítható a szerzőm használatának időtartama és gyakorisága.

A műszaki adatokban megadott hang- és vibrációs szintek az EN60745 vagy hasonló nemzetközi szabványoknak megfelelően vannak meghatározva. A számadatok a szerzőm szokásos működési körülmények között történő normál használatát jelzik. A rosszul karbantartott, rosszul összeszerelt, vagy nem megfelelő módon használt szerzőm a zajszintet és a rezgésszint megemelkedhet. A [www.osha.europa.eu](http://www.osha.europa.eu) weboldalt tájékoztatást nyújt a munkahelyi hang- és vibrációs szintekről. Ez hasznos lehet az otthoni felhasználók számára, akik a szerzőmokat hosszú időn át használják.

## Általános munkavédelmi tudnivalók

**FIGYELEM!** Olvassa el az összes munkavédelmi figyelmeztetést és utasítást. Amennyiben nem veszi figyelembe a figyelmeztetéseket, és nem tartja be az utasításokat, súlyos sérülés következhet be.

**FIGYELEM:** Ezt a készüléket nem használhatják csökkent fizikai vagy értelemi képességekkel rendelkező személyek (beleértve ebbe a gyermekeket is), vagy tapasztalat, és ismeretek nélküli rendelkező emberek, csakam nem állnak a biztonságukért felelős személy felügyelete alatt, illetve nem követik annak utasításait. A gyermekeket felügyelet alatt kell tartani, hogy ne játsszanak a készülékkel.

Örizzen meg minden figyelmeztetést és utasítást a későbbi tájékozódás érdekében.

A figyelmeztetéseken említett „szerszámgép” kifejezés az összes alábbi figyelmeztetés esetén az elektromos hálózatról üzemelő (vezetékes) szerszámgépére és az akkumulátorról üzemelő (vezeték nélküli) szerszámgépére is vonatkozik.

### 1) A munkaterület biztonsága

- Tartsa tisztán és jól megvilágítva a munkaterületet. A rendezetlen és sötét terepek vonzzák a baleseteket.
- Ne működtesse a szerszámgépeket robbanásveszélyes folyadékok, gázok vagy por jelenlétében. A szerszámgépeket szikrákat bocsátanak ki, amelyek meggyújthatják a port vagy a gázokat.
- A szerszámgép használata közben a gyermekeket és a környékben tartózkodókat tartsa távol! A figyelemelvonás miatt elvesztheti ellenőrzését a munka felett.

### 2) Elektromos biztonság

- A szerzőm csatlakozódugója illeszkedjen az aljzathoz! Soha, semmilyen módon ne alakítsa át a dugaszt. Semmiféle csatlakozódaptert ne használjon védővezetéssel ellátott („földelt”) csatlakozódugóhoz. A nem módosított, és az aljzathoz illeszkedő csatlakozódugók csökkentik az áramütés veszélyét.
- Kerülje a fizikai érintkezést földelt vagy testelt felületekkel (pl. csövek, radiátorok, tűzhelyek, hűtőszekrények). Nő az áramütés veszélye, ha a felhasználó teste földelve van.
- Ne tegye ki a szerszámgépeket esőnek vagy vizes környezetnek. A szerszámgépbe kerülő víz növeli az áramütés kockázatát.
- Ne sértsen meg a tápkábelt. Soha ne vigye, húzza vagy távolítsa el az aljzathoz a szerszámgépet a vezeték nélküli fogva. A kábelt tartsa távol a hőforrásoktól, olajtól, éles peremektől vagy mozgó alkatrésztől. A megrongálódott vagy összekuszálódott kábelek növelik az áramütés veszélyét.
- A szerszámgép kültéri környezetben használja, használjon a kültérben alkalmazható hosszabbító kábelt. A kültéri alkalmazásra megfelelő hosszabbító használata csökkenti az áramütés veszélyét.
- Ha a szerszámgép nedves környezetben történő működtetése elkerülhetetlen, használjon lekapcsoló áramvédő eszközzel (RCD) védett áramforrást. A FI-relé használata csökkenti az áramütés veszélyét.
- Ausztráliában vagy Új-Zélandon való használatkor MINDIG 30 mA-es vagy annál alacsonyabb hibááramra leoldó áramvédő kapcsolóval (FI-relével) rendelkező táplézellátás alkalmazása javasolt.

### 3) Személyi biztonság

- Legyen figyelmes, ügyeljen arra, amit tesz, és őrizze meg a józan ítélőképességét a szerszámgép működtetése közben. Ne használja a szerszámgépet, ha fáradt, vagy amennyiben kábítószerek, alkoholt vagy gyógyszereket használ alatt áll. A szerszámgép működtetése során előforduló pillanatnyi figyelmetlenség súlyos személyi sérülést eredményezhet.
  - Használjon személyi védőfelszerelést. Mindig használjon védőszemüveget. Az adott körülményekre alkalmazott olyan biztonsági felszerelések, mint például porvédő maszk, csúszámentes biztonsági lábbeli vagy fülvédő csökök a személyi sérülések veszélyét.
  - Kerülje el a véletlenszerű elindítást. Az áramforráshoz és/vagy az akkumulátorhoz történő csatlakoztatás előtt, vagy az eszköz felemelésekor vagy szállításakor, győződjön meg róla, hogy a BE/ KI kapcsoló az OFF (KI) helyzetben van-e. Baleset forrása lehet, ha a szerszámgép úgy szállítja, hogy közben az újít a BE/KI kapcsolón tartja, vagy áram alá helyezi a szerszámgépet úgy, hogy a kapcsolója bekapcsol (ON) helyzetben van.
  - A szerszámgép bekapcsolása előtt távolítsa el minden beállítókulcsot vagy fogót. A szerszámgép valamely mozgó alkatrészén hagyott villáskulcs vagy állítókulcs vagy állítókulcs személyi sérülést okozhat.
  - Kerülje az abnormális testtartást. Mindig biztosan álljon a lábán, és őrizze meg az egyensúlyát. Ez a szerszámgép biztosabb irányítását teszi lehetővé váratlan helyzetekben.
  - Ötözzön megfelelően. Ne viseljen bő ruhákat vagy ékszereket. A haját, a ruháját és a kesztyűjét tartsa távol a mozgó alkatrésztől. A bő ruhák, ékszerek vagy a hosszú haj beleakadhatnak a mozgó alkatrészekbe.
  - Ha rendelkezésre állnak a proreloszó készülékek és a gyújtótartályok, győződjön meg róla, hogy csatlakoztatták és megfelelően használják őket. Ezeknek a készülékeknek a használata csökkenti a porral járó veszélyeket.
- Az elektromos kéziszerszám használata és karbantartása**
    - Ne erősítse a szerszámgépet. A célnak megfelelő szerszámgépet használja. A megfelelő szerszámgép jobban és biztonságosabban végzi el azt a feladatot, amelyre tervezték.
    - A szerszámgépet ne használja akkor, ha a BE/KI kapcsoló nem működik megfelelően (nem kapcsolja ki vagy be a készüléket). A BE/ KI kapcsolójával nem vezérelhető szerszámgép veszélyes, ezért meg kell javíttatni.
    - Húzza ki a csatlakozót a tápforrásból, és/vagy vegye ki az akkumulátort a szerszámgépéből, mielőtt bármilyen beállítást vagy tartózkodásért hajtana létre, illetve tárolná a szerszámgépet. Az ehhez hasonló megelőző intézkedések csökkentik a véletlenszerű bekapcsolás kockázatát.
    - A használaton kívüli szerszámgépeket tartsa távol a gyermekektől, és ne engedje, hogy a szerszámgép használatát vagy a jelen kézikönyvet nem ismerő személy működtesse a szerszámgépet. A szerszámgépek veszélyesek lehetnek a gyakorlattal nem rendelkező felhasználók kezében.
    - Tartsa karban a szerszámgépeket. Ellenőrizze, hogy a mozgó alkatrészek illeszkedése és beállítása megfelelő-e, nincs-e rajtuk meghibásodott elem, vagy nem áll-e fenn olyan körülmény, amely hatással lehet a szerszámgép működésére. Használat előtt javítsa meg a szerszámgépet, amennyiben az sérült. A nem megfelelően karbantartott szerszámgépek sok balesetet okoznak.
    - A vágóeszközöket tartsa élesen és tisztán. A megfelelően karbantartott, éles vágóeszközökkel rendelkező vágószerszámoknál kevésbé valószínű a beszorulás, és a szerzőm irányítása is könnyebb.
    - A szerszámgépeket, a kiegészítőket, a betétkéseket stb. a jelen utasításoknak megfelelően használja, figyelembe véve a munkakörülményeket és a végrehajtandó munkát. A szerszámgép rendeltetésétől eltérő használata veszélyes helyzetet okozhat.
  - Szerviz**
    - Az elektromos kéziszerszám szerelését bízza szakképzett szerelőre, aki az eredetileg meggyező alkatrészekkel végzeze a javítást. Ez biztosítja a szerszámgép biztonságos működésének fenntartását.

# A facsapozóra és a lapostiplimaróra vonatkozó munkavédelmi tudnivalók



FIGYELEM!

- A facsapozó fűrészárainak és a lapostiplimaró fejeinek legalább a szerszámhoz javasolt névleges fordulatszámmal kell rendelkezniük. A névleges fordulatszámmal gyorsabban forgó vágófelek és kések darabjai szétrepülhetnek és sérülést okozhatnak.
- Mindig használja a védelemet és a szerszámba beépített többi biztonsági eszközt. Ezek megővjék a kezelőt a vágófelek vagy kések letört darabjaitól és az éles szélekkel vagy fogakkal való véletlen érintkezéstől.
- 18 éven aluli személyeknek ne engedélyezze a szerszám használatát. Győződjön meg arról, hogy a kezelők ismerik a jelen üzemeltetési és munkavédelmi utasításokat.
- Az elektromos kéziszerszámot a szigetelt markoló felületeinél fogja, ha olyan műveletet végez, amikor a vágóeszköz a saját tápkábelével érintkezhet. Ha a szerszám áram alatt álló vezetékkel érintkezik, a szerszám térm alkatrészei is áram alá kerülhetnek, és a kezelőt áramütés érheti.
- Ha a tápkábel cseréje szükséges, a kockázatot elkerülése végett azt a gyártónak vagy a szervizképviseletnek kell elvégeznie.
- Nyomatékosan javasoljuk, hogy az áramellátást mindig érintésvédelmi, áramvédő kapcsolón (FI-relé) keresztül biztosítsa, amelynek az érzékenysége nem haladhatja meg a 30 mA értéket.

**FIGYELEM:** Ne használjon élelten vagy sérült fűrészárazakat.

**FIGYELEM:** Használat előtt ellenőrizze, hogy a védelem visszahúzó szerkezete megfelelően működik-e.



**Viseljen megfelelő légzésvédő felszerelést:** A szerszám használat közben olyan kémiai anyagokat tartalmazó port hozhat létre, melyek ismeretlen rákkeltőek, szülési rendellenességet okoznak, vagy egyéb módon károsítják a reprodukciós képességet. Egyes fa fajták konzerváló anyagokat, például CCA-t (réz-krom-arzén) tartalmaznak, mely mérgezőt okozhat. Ezen anyagok csiszolásakor, fűrészkor vagy vágásakor különös óvatossággal járjon el, hogy elkerülje poraik belégzését és minimálíra csökkentse a bőrrel való érintkezést.

- A szerszámhoz használt hosszabbító kábeldobokból a kábeleket teljesen le kell tekerni. A vezetőhuzal minimális keresztmetszete: 1,0 mm<sup>2</sup>
- A szerszámot kültérben történő használatkor áramvédő kapcsolóval ellátott, jó állapotú, víztől védett hálózati aljzathoz csatlakoztassa, ahol a hosszabbító kábel keresztmetszete legalább 1,5 mm<sup>2</sup>.
- Használat előtt bizonyosodjon meg arról, hogy a vágófelel vagy kés szilárdan rögzített-e. A lazán rögzített vágófelek vagy kések kirepülhetnek a gépből, és veszélyhelyzetet eredményezhetnek.
- Lerakás előtt mindig várja meg, hogy a szerszám teljesen leálljon.
- A szerszám használatára során használjon biztonsági felszereléseket, mint pl. védőszemüveget vagy -pajzsot, fülvédőt és védőruházatot, pl. munkakesztyűt. Ha a fűrés során por keletkezik, viseljen porvédő maszkot.
- Biztonságos megközelítési módok.
- Ügyeljen arra, hogy a vágófelel vagy kés NE érintkezzen a munkadarabbal a szerszám bekapcsolása előtt.
- A szerszámot két kézzel megfogva működtesse.
- Mindig szerelje fel a szerszámhoz mellékelt kiegészítő fogantyúkat, hacsak az adott feladathoz az útmutató ezt kifejezetten nem javasolja.
- Ne gyakoroljon nyomást a szerszámmal, mivel ez megrövidíti annak élettartamát.
- A vágófelek és kések használat közben felmelegsznek, ezért megfogásuk előtt hagyja, hogy lehűljenek.
- A vágófelel vagy kés közeléből soha ne próbálja kézzel eltávolítani a fűrészporthoz, a forgácsot vagy a hulladékanyagot.
- Ha munkavégzés közben megszakítják, akkor fejezze be a folyamatot, és mielőtt felnézne, kapcsolja ki a szerszámot.
- Lehetőség szerint használjon pillanatszűrőt vagy szűrőt a munkadarab befogásához.
- Fejcsere előtt mindig húzza ki a szerszám dugvilláját a konnektorból.
- Rendszeresen ellenőrizze a vágófelel vagy kését, hogy nem láthatóak-e rajta elhasználódás vagy sérülés jelei. A sérült alkatrészt javíttassa meg a márkaszervizzel.

- A munka befejezése után húzza ki a szerszám dugvilláját a hálózati aljzathoz.
- Rendszeresen ellenőrizze, hogy az összes anya, csavar és rögzítőelem megfelelően meghúzott-e, és szükség esetén szorítsa meg.

## A vágószámmal történő munkavédelmi tudnivalók

**FIGYELMEZTETÉS:** Mielőtt a szerszámot tápfeszültséghez csatlakoztatja (főkapcsoló hálózati aljzatra, fali aljzat stb.), győződjön meg arról, hogy a tápfeszültség értéke megegyezik-e a szerszám gép adattábláján megadott értékkel. A kezelő súlyos sérülést, illetve a szerszám gép károsodását okozhatja, ha azt az előírtnál magasabb feszültséggel működteti. Késéges esetben ne csatlakoztassa a gépet a hálózathoz. Ha a szükségesnél alacsonyabb értékű tápfeszültséget használ, az árthat a gépnek.

### Megfelelő vágószerszámot használjon

- Bizonyosodjon meg arról, hogy a vágószerszám alkalmas-e az adott feladatra. A szerszám ismertetőjének elolvasása nélkül ne feltételezze, hogy a szerszám alkalmas egy adott feladatra.

### Óvja a látását

- Vágószerszámok használatakor mindig viseljen megfelelő védőszemüveget.
- A hétköznapi szemüveget nem tervezték a szerszámok használatakor szükséges védelem céljára; a hagyományos lencsék nem ütésállóak és eltörtethetnek.

### Viseljen hallásvédő eszközt

- Mindig viseljen megfelelő hallásvédő eszközt, ha a szerszám zaja meghaladja a 85 dB értéket.

### Viseljen légzésvédő eszközt

- Ügyeljen arra, hogy Ön és a környezetében tartózkodó személyek megfelelő porvédő maszkot viseljenek.

### Óvja kezeit

- Ne közelítse kezét a fűrészlaphoz vagy vágóelemhez. Használjon megfelelő nyomóerőt a rövidebb munkadarabok elektromos kéziszerszámmal történő megmunkálásakor.

### Ügyeljen a környezetében lévő személyekre

- A szerszám használatára hárul annak biztosítása, hogy a munkaterületen lévő többi személyt megóvja a zajtól és portól, és ellássa őket megfelelő védőfelszereléssel.

### Rejtett tárgyak

- A vágás megkezdése előtt ellenőrizze a munkadarabot, és távolítsa el belőle az összes szegyet, valamint a hasonlóan beágyazódott idegen tárgyakat.
- Ne próbáljon meg beágyazódott tárgyakat tartalmazó anyagot vágni, hacsak nem biztos abban, hogy a szerszámra szerelt vágóél alkalmas ezek vágására is.
- Az épületek falaiban víz- vagy csővezetékek lehetnek, a gépjárművek karosszériája üzemanyag-vezetéseket rejt, a magas fű pedig eltakarhatja a köveket és üvegszerkezeteket. A művelet végrehajtása előtt mindig alaposan ellenőrizze a munkaterületet.

### Ügyeljen a gép által kiröpített anyagdarabokra.

- Bizonyos esetekben a hulladék nagy sebességgel repülhet ki a gépből. Önre hárul annak biztosítása, hogy a munkaterületen lévő többi személyt megóvja az esetleg kirepülő hulladéktól.

### Vágószerszámok felszerelése

- Ügyeljen arra, hogy a vágószerszámok megfelelően, stabilan legyenek a szerszám gép rögzítve, és használat előtt ellenőrizze, hogy a villás-/állítókulcsokat eltávolította-e a gépről.
- Kizárólag a szerszám géphez javasolt vágószerszámot használjon.
- Ne próbálja meg módosítani a vágószerszámot.

### A munkadarab adagolásának/előtölésének iránya

- A munkadarabot mindig a vágóél vagy vágószerszám mozgásával ellentétes irányban adagolja.

### Ne feledkezzen meg a felmelegedésről

- Munka közben a vágószerszámok és a munkadarab felforrósodhat. Ne próbáljon meg a gépen szerszámot cserélni, míg az le nem hűlt teljesen.

## A por és a forgácsok mennyiségének kontrollálása

- Ügyeljen arra, hogy ne halmozódjon fel a por és a forgács. A vágások keletkező por tűveszélyes, valamint egyes fémforgácsok robbanásveszélyesek.
- Fokozott körültekintéssel járjon el fa és fém vágásokor. A fémmegmunkálás szikrái könnyen meggyújthatják a faport.
- Amikor lehetséges, használjon porelszívó rendszert a biztonságosabb munkakörnyezet megteremtéséhez.

## A termék ismertetése

1. Vezetőlemez
2. Kémléőablak
3. Segédmarkolat
4. Szerszámtest
5. Fő markolat
6. Mélységmérő rögzítőcsavarja
7. Nulla jelzés
8. Mélységmérő
9. Vezetőlemez rögzítógombja
10. Szögvezető
11. Fogak
12. Homlokklap
13. Csúszásmentes betétek
14. Fogasrúd
15. Imbuszkulcs
16. Vezetőlemez magasságállító gombja
17. Vezetőlemez magasságrögzítő gombja
18. Magassági skála
19. Fűrészár tartók
20. Visszahúzó rugó
21. Be/Ki kapcsoló
22. Porelvezető nyílás

**Mellékelt tartozékok:** 2 db 8 mm átmérőjű fűrészár, imbuszkulcs és porelvezető adapter

## Rendeltetésszerű használat

Hordozható, hálózati feszültségről működő elektromos kéziszerszám, mely egyenletes távolságra levő csaplyukákat készít a megmunkálandó faanyagokba.

## Használat előtt

### Fűrészárak beszerelése

**FIGYELEM:** A fűrészárak nagyon élesek; mindig viseljen védőkesztyűt, és a fűrészárakat óvatosan kezelje.

1. Adja forgassa el az egyik fűrészártartót (19), míg hozzá nem fér a rögzítőcsavarhoz (A kép).
2. Lazítsa meg a csavart a mellékelt imbuszkulccsal (15).
3. Tartásá úgy a fűrészárt, hogy a lapos része egybeessen a rögzítőcsavarral.
4. Illesse a szárát ütőkézség a tartóba, majd húzza meg a rögzítőcsavart.
5. Ellenőrizze, hogy a fűrészár biztonságosan rögzített-e.
6. Ismételje meg ezt a folyamatot a többi fűrészárral is.

### A mélységmérő nullázása

A fűrészárak beszerelése után a mélységmérő (8) és a nulla jelzés (7) beállítása szükséges, hogy a mélységmérő megfelelő értéket mutasson (C kép).

1. Lazítsa meg a mélységmérő reteszelőgombját (6), hogy a mélységmérő szabadon mozoghasson.
2. Helyezzen egy hulladék fadarabot a homlokklaphoz (12), majd óvatosan nyomja előre a szerszám testét (4), míg meg nem áll úgy, hogy a fűrészárak fúrásponja egy szintben nem kerül a homlokklap felületével. Tartsa meg ebben a helyzetben.

**Megjegyzés:** A használt fűrészártól függően a fűrészár nagyon közel lehet a homlokklap szintjéhez, és mindössze kisebb mozdítás lehet szükséges ahhoz, hogy a fűrészárak egy szintbe kerüljenek a homlokklappal.

3. Állítsa a mélységmérőt (8) a lehető leghátó helyzetbe a homlokklaptól, majd húzza meg a mélységmérő rögzítógombját, miközben a beállított helyzetet (lásd: 2. lépés) megtartja.
4. Lazítsa meg és enyhén fordítsa el a nulla jelzést (7) úgy, hogy a mutató egy szintben legyen a mélységmérő „0” értékével, majd szorítsa meg ismét.
5. Végezzen el egy végső ellenőrzést, hogy a fűrészárak a homlokklappal egy szintben vannak-e, amikor a nulla jelzés egy szintben van a mélységmérő „0” jelzésével.

**Megjegyzés:** A nulla jelzés helyzetének ismételt beállítása nem szükséges a fűrészárak következő cseréjéig.

### Porelvezető rendszer csatlakoztatása

1. A mellékelt porelvezető adapter egyszerűen, beletolással illeszhető a porelvezető csomkba (22. számú és B jelű kép).
2. A porelvezető rendszer tömlőjét szilárdan illesse a porelvezető adapterhez.

**Megjegyzés:** Az adapter bármilyen helyzetbe beállítható egy 180°-os ív mentén a kezelő irányába.

### A vezetőlemez szögének beállítása

A vezetőlemez (1) 90°-os elmozdulásra képes, ahol bemélyedések találhatóak a gyors és egyszerű beállításához 22,5°, 45° és 67,5°-oknál.

A szükséges szög beállítása:

1. Lazítsa meg a vezetőlemez szögének rögzítógombját (9).
2. A szögvezetőn (10) forgassa el a vezetőlemez a szükséges szögbeállításához (lásd: D kép).
3. Szorítsa meg úgy a vezetőlemez szögének rögzítógombját, hogy a vezetőlemez rögzüljön a helyzetében.

**Megjegyzés:** A fűrés megkezdése előtt ellenőrizze, hogy a vezetőlemez szilárdan a helyén van-e. Ennek elmulasztása a munkadarab vagy a gép sérülését okozhatja, ha a vezetőlemez használat közben mozogni kezd.

**Megjegyzés:** A szögvezető által jelzett érték hozzávetőleges; használjon további mérőeszközt szükség esetén a vezetőlemez szögének ellenőrzéséhez.

### A kémléőablak használata

- A kémléőablakon (2) található három vonal az alábbiakat jelöli:
  - Az egyes fűrészárak középvonalát,
  - Két fűrészár közötti középvonalat.
- Ezeket a jelöléseket használja arra, hogy pontosan egy egyenesbe állítsa a fűrészárakat a munkadarabon levő beállítójelekkel (G kép).

**MEGJEGYZÉS:** A Triton kétsorsós fűrészes pontosan 32 mm távolságra készíti el a furatokat egymástól, így kompatibilis a „System 32” szekrénykészítő rendszerrel, és ideális egymástól egyforma távolságra eső furatsorok szekrényfalakban való elkészítéséhez.

### A fűrészmélység beállítása

- A mélységmérő segítségével (8) 0 – 38 mm közötti fűrészmélység állítható be (F kép).
  - A fűrészárak cseréje vagy új fűrészárak beszerelése után a nulla jelzés (7) és a mélységmérő (8) nullázása szükséges. Útmutatásért lásd A mélységmérő nullázása című szakaszt.
  - A szükséges mélység beállításához használja a vezetőelemen található skálát.
1. Lazítsa meg a mélységmérő reteszelőgombját (6), hogy a mélységmérő szabadon csúszhasson előre és hátra.
  2. Úgy helyezze el a mélységmérőt, hogy a szükséges mélység (a skálán) egy egyenesbe essen a nulla jelzésen levő mutatóval (7).
  3. Szorítsa meg a mélységmérő rögzítógombját, hogy a mélységmérő a megfelelő helyzetben rögzítse. Ez korlátozza a szerszámtest mozgását, és így a fűrészmélység maximális értékét állította be.

## A fűrészmagasság beállítása

A fogasléces vezetőlemez-beállító mechanizmussal 9 mm – 43 mm között állítható a fűrészi magasság (G kép)

1. Lazítsa meg a vezetőlemez magasságának rögzítógombját (17).
2. Forgassa el a vezetőlemez magasságának állítógombját (16) a vezetőlemez emeléséhez vagy süllyesztéséhez.
3. A magasságállító mechanizmuson található fekete nyílait állítsa egy vonalba a szükséges magassággal a magassági skálán (18).
4. Szorítsa meg úgy a vezetőlemez magasságának rögzítógombját (17), hogy a vezetőlemez rögzüljön a beállított magassággal.

# Használat

**FONTOS:** Fúrásokat a szerszámot mindig két kézzel fogja meg. A csapozó szerszám testét (4) fogja az egyik kezével úgy, hogy egyik uja kényelmesen a Be/Ki kapcsolón (21) legyen, míg másik kezével fogja a segédmarkolatot (3), hogy a szerszámot biztonságosan tartsa.

## Be- és kikapcsolás

- A facsapozó elindításához húzza meg a Be/Ki ravaszkapcsolót (2).
- A gép leállításához engedje fel a Be/Ki ravaszkapcsolót.

### Megjegyzés:

- Annak érdekében, hogy megfelelő furatokat készítsen a munkadarabba, a facsapozót először a „Használat előtt” című szakasz utasításainak megfelelően állítsa be, majd a szükséges fúrási pontok ceruzával történő megjelölésével készítse elő a munkadarabot.

- Fontos, hogy a munkadarab pontosan legyen megjelölve. Egyszerűbb lehet a két darab laza összeszerelése pontosan a kívánt helyzetben, majd mindkét darabon egy áthaladó ceruzajelzés elhelyezése, végül a furatok kifúrása. Ha további csapok szükségesek, az ismételt feljelölés előtt végezze el újra a laza összeszerelést úgy, hogy az első két csap be van illesztve. Az első csapfuratok számára a faanyag közepén való elhelyezkedés az ideális.

- Faanyagok csapokkal történő összeállításakor kicsi a tűrés, így mindig nagyon fontos a pontos mérés. A legkritikusabb furatok általában a munkadarabok szélénél helyezkednek el, így pontokba, ha bármely pozicionálási hiba a faanyag közepére esik, ahol szükség szerint további csapfuratok készíthetők.

- A munkadarabot a munkapadhoz kell rögzíteni pillanatszorítóval, habár néhány esetben a munkadarab és a munkapad közé helyezett csúszásgátló szőnyeg használata is elegendő lehet.

- Az egyik kezével úgy tartsa a szerszám testét, hogy egyik uja a Be/Ki kapcsolón (21) nyugodjon.
- Állítsa egy vonalba a kémlélelábak (2) vezetvonalait a munkadarabon levő ceruzajelekkel, és úgy pozícionálja a facsapozót, hogy készen álljon a furatok elkészítésére (H kép).
- Úgy állítsa a gépet a munkadarabhoz, hogy a homloklap (12) és a vezetőlemez alsó része (1) teljesen érintkezzen a munkadarabbal.
- Nyomja le a vezetőlemez elejét a másik kezének ujaival, hogy a gépet a megfelelő helyzetben tartsa, és ellenőrizze, hogy nincsenek-e részek a homloklap vagy a vezetőlemez alatt. Tegye vissza a kezét a markolatra (3), hogy a szerszámot biztonságosan tartsa.

**Megjegyzés:** Szükség lehet a szerszám rögzítésére a vezetőlemezre (1) kifejtett nyomással (H kép), ahelyett, hogy a segédmarkolatot (3) fogná, hogy így biztosítsa a szerszám ugyanazon helyzetét a faanyagban.

**Megjegyzés:** Szükség lehet nyomás kifejtésére akkor is, ha csúszásgátló szőnyeget használ a munkadarab rögzítésére, mely a munkadarabra felele irányuló nagyobb nyomást igényel. Kizárólag akkor járjon el így, ha kényelmesen tartja egy kézzel a szerszámot. Ideális esetben mindkét kézzel fogni kell a szerszámot a munkafelülethez szilárdan rögzített munkadarabon való, maximális biztonságot nyújtó munkavégzéshez.

- Finoman nyomja meg a Be/Ki kapcsolót (21), majd tolja előre a gép testét úgy, hogy a fúrószárak behatoljanak a munkadarabba (I kép).
- Tolja előre a gép testét addig, míg a mélységmérő (8) ütköztöje meg nem állítja, hogy elkészíthesse a megfelelő furatot a megfelelő helyen.
- Miközben a gépet bekapcsolva tartja, hagyja, hogy a géptest visszattérjen eredeti helyzetébe, és eltávolítsa a fúrószárakat a munkadarabból. Miközben ez történik, tartsa két kézzel a szerszámot.
- Miután a fúrószárak kijutottak a furatokból, engedje fel a Be/Ki kapcsolót. On/Off Trigger Switch

**MEGJEGYZÉS:** A visszahúzó rugó (20) a géptestet automatikusan a nyugalmi helyzetbe állítja, visszahúzza a fúrószárakat a munkadarabból, miközben továbbra is némi nyomást fejt ki a homloklapra és a vezetőlemezre. A kezelőnek körültekintően kell irányítani a fúrószárak kilépésekor, ügyelve arra, hogy a szerszámot folyamatosan az elkészített furatokhoz viszonyítva ugyanabban a helyzetben tartsa.

- Miután a fúrószárak kijutottak a munkadarabból és forgásuk leállt, emelje el a gépet a munkadarabtól.

**Megjegyzés:** Javasoljuk, hogy először hulladék fadarabokon gyakorolja a facsapozó használatát, hogy teljesen megértse annak működését.

## Elhelyezés

- Annak érdekében, hogy a csapolandó munkadarabba a megfelelő furatok legyenek elkészítve, a gépet a munkadarab felületére merőlegesen kell elhelyezni (J kép).
- Javasoljuk, hogy a gépet felele irányítva tartsa a munkadarabra , így a gép tömege a művelet irányába hat, ellentétben azabal a megoldással, ha a furatokat alulról felele próbálja fúrni a munkadarabból.

- Amennyiben a furatokat egy éltől túl messzire kell fúrni, úgy állítsa be a facsapozót, hogy a vezetőlemez és a homloklap egy szintben legyen egymással. A facsapozó ekkor függőlegesen helyezhető el egy felületen, és szabadon pozícionálható – még nagyobb munkadarabokon is (K kép). A fúrás megkezdése előtt győződjön meg arról, hogy a szerszám biztonságosan áll-e a beállított helyzetében.

## Fatipilázó sablon vagy vezetősablon használata

A facsapozó gép fogakkal (11) és fogasrúddal (14) rendelkezik, melyek a furatok gyors elkészítését teszik lehetővé fatipilázó sablon vagy vezetősablon (nincs mellékelve) használatakor.

- A fatipilázó sablon vagy vezetősablon segítségével a furatok gyorsan és pontosan készíthetők el, és felgyorsítható vele a szekrénygyártás folyamata. Emellett sokok egymástól egyforma távolságra eső furatainak elkészítéséhez is ideális.

- A mérés pontos elvégzése után rögzítse a fatipilázó sablont vagy vezetősablont a munkadarabhoz a megfelelő helyzetben.
- Állítsa be a facsapozót a fogasrúd (14) vagy a fogak (11) fatipilázó sablonnal vagy vezetősablonnal való használatához.

**Megjegyzés:** Ügyeljen arra, hogy megfelelő fúrásmélységet, vezetőlemez-szögöt és vezetőlemez-magasságot állítson be.

- Fúrja ki a szükséges furatokat úgy, hogy a facsapozó fogait beakasztja a fatipilázó sablon vagy vezetősablon fognyílásaiba, majd használja a szerszámot a szokásos módon.

**Megjegyzés:** A fatipilázó sablon vagy vezetősablon használata akkor ideális, ha egy nagy munkadarabnál a facsapozó úgy van beállítva, hogy szabadon elhelyezhető legyen, azaz a vezetőlemez és homloklapja egy szintben áll.

**Megjegyzés:** Habár a kereskedelemben kaphatók fatipilázó sablonok és vezetősablonok, ezeket saját kezűleg is el lehet készíteni.

## Egyéb illesztések

Megjegyzés: A jelen szerszám sokrétűsége túlmutat az ezen használati útmutató által lefedett témakörökön, mely ezért mindössze a funkciók és működések bemutatására szolgál.

# Tartozékok

A Triton forgalmazóknál a tartozékok széles választéka megtalálható. A pótalkatrészek a Triton forgalmazóknál vagy a [www.toolsparesonline.com](http://www.toolsparesonline.com) weboldalon kaphatók be.

# Karbantartás



**FIGYELEM:** MINDIG válassza le a gépet a hálózati tápellátásról, mielőtt bármilyen karbantartási vagy tisztítási műveletet végezne.

- Minden egyes használat előtt ellenőrizze, hogy a hálózati kábel nem sérült vagy kopott-e. Ez a tanács a szerszámmal használt hosszabbító kábelekre is érvényes.
- Ha a tápkábel cseréje szükséges, a kockázatok elkerülése végett azt a gyártóknak vagy a szervizképviseletnek kell elvégeznie.

## Általános átvizsgálás

- Rendszeresen ellenőrizze, hogy minden rögzítőcsavar kellően meg van-e szorítva. Ezek a rezgés hatására idővel fellazulhatnak.
- Minden egyes használat előtt ellenőrizze, hogy a hálózati kábel nem sérült vagy kopott-e. A javítást egy hivatalos Triton szervizben kell elvégeztetni. Ez a tanács a szerszámmal használt hosszabbító kábelekre is érvényes.

## Kenés

- Megfelelő kenő aeroszollal rendszeres időközönként finoman kenje meg az összes mozgó alkatrészt.

## Tisztítás

**FIGYELEM:** MINDIG viseljen megfelelő személyi védőfelszerelést, többek között védőszemüveget és kesztyűt a szerszám tisztítása közben.

- Tartsa a szerszámgépet mindig tisztán. Szennyeződés és por hatására a belső alkatrészek kopása gyorsabb lesz, és lerövidül a szerszám élettartama.

- Tisztítsa meg a gép testét egy puha kefével vagy száraz ronggyal.
- A műanyag részek tisztításához soha ne használjon maró anyagot. Amennyiben a száraz tisztítás nem elegendő, enyhén mosogatószerees rongy használata javasolt.
- A szerszám soha nem érintkezhet vízzel.
- A szerszámot használat előtt alaposan szárítsa meg.
- Ha lehetséges, használjon tisztá, száraz, sürtített levegőt a szelőlőnyílások átfúvatásához (ahol szükséges).

## Szénkefék

- Idővel a motorban levő szénkefék elkophatnak.
- A túlzottan kopott szénkefék teljesítménycsökkenést, szakaszos működést vagy látható szikrázást okozhatnak.
- A szénkefék cseréjéhez távolítsa el a fő markolat (5) házát rögzítő négy csavart. Óvatosan távolítsa el a két oldalt, ügyelve arra, hogy ne húzza vagy sértse meg a kábeleket. Vegye ki a kopott szénkefeket, és helyezzen be újakat. Helyezze vissza a markolat házát, majd húzza meg a csavarokat. Másik lehetőségként ezt a műveletet végeztesse el a hivatalos Triton szervizzel.

## Leselejtezés

A már nem működőképes és javíthatatlan elektromos kéziszerszámok ártalmatlanítása során mindig tartsa be nemzeti előírásokat.

- Ne dobja ki a leselejtezett elektromos és elektronikus berendezést (WEEE) a háztartási hulladékkal együtt.
- Forduljon a helyi hulladékkezelési hatósághoz, hogy tájékozódjon az elektromos szerszámok ártalmatlanításának megfelelő módjáról.

## Jótállás

A jótállás regisztrálásához látogassa meg webhelyünket a [www.tritontools.com](http://www.tritontools.com)\* címen, és adja meg adatait. Adatai bekerülnek a levelezési listánkba (kivéve, ha ezt másképpen adja meg), és tájékoztatjuk a későbbi kiadásokról. A megadott adatokat nem bocsátjuk harmadik fél rendelkezésére.

## Vásárlási nyilvántartás

Vásárlás dátuma: \_\_\_/\_\_\_/\_\_\_

Típus: TDJ600 Őrizz meg a vásárlást igazoló nyugtát.

## EK Megfelelőségi nyilatkozat

**Alulírott:** Mr Darrell Morris

**meghatalmazva az alábbi által:** Triton Tools

Kijelentem, hogy az alábbi

**Azonosító kód:** 186171

**Leírás:** Kettős csaplyukfúró készülék

**kielégíti az alább felsorolt irányelvek és szabványok előírásait:**

- 2006/42/EC gépészeti irányelv
- Alacsony feszültségre vonatkozó 2006/95/EC irányelv
- 2014/108/EC EMC irányelv
- 2011/65/EU RoHS irányelv
- EN60745-2-19:2005+A1:2010
- EN60745-1:2009+A11:2010
- EN55014-1:2009+A2:2011
- EN55014-2:1997+A2:2008
- EN61000-3-2:2014
- EN61000-3-3:2013 • EN62321:2009

A Triton Precíziós Szerszámgépek garantálják vásárlóinak, hogy bármely alkatrész anyaghibából vagy gyártási hibából, a vásárlás időpontjától számított 3 éven belül bekövetkezett meghibásodása esetén, a Triton ingyenesen megjavítja - vagy alapos megfontolás esetén kicseréli – a hibás alkatrészt.

Ez a garancia nem vonatkozik ipari jellegű használatra, továbbá általános jellegű kopásra, illetve a termék nem rendeltetészerű használatából eredő meghibásodására.

\*Regisztráljon az interneten 30 napon belül.

Feltételek és kikötések vonatkoznak.

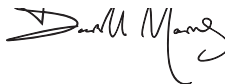
Nincs hatással a törvényben meghatározott jogaira.

**Tanúsító testület:** TÜV SÜD Product Service

**A műszaki dokumentációt tárolja:** Triton Tools

**Dátum:** 05/05/15

**Dátum:**



Mr Darrell Morris

Igazgató

**A gyártó neve és címe:**

Powerbox International Limited, Company No. 06897059. Registered

address: Powerbox, Boundary Way, Lufton Trading Estate, Yeovil, Somerset

BA22 8HZ, United Kingdom.

# Překlad originálního návodu

## Úvod

Děkujeme za zakoupení výrobku Triton. Tento návod obsahuje nezbytné informace pro bezpečné používání a správnou funkci tohoto výrobku. Tento výrobek nabízí mnoho jedinečných funkcí. Je možné, že jste již s podobným výrobkem pracovali; přesto si důkladně přečtěte tento návod, abyste rozuměli pokynům. Ujistěte se, že všichni, kdo s výrobkem pracují, tento návod četli a porozuměli mu.

## Použité symboly

Typový štítek na vašem nářadí může obsahovat symboly. Ty představují důležité informace o výrobku nebo pokyny k jeho použití.



Používejte chrániče sluchu  
Používejte ochranné brýle  
Používejte respirátory  
Používejte ochrannou přilbu



Používejte ochranné rukavice



Přečtěte si návod



Varování: Ostré ostří nebo zuby!



Nepoužívejte při dešti nebo ve vlhkém prostředí!



Nářadí vždy vypojte z elektrické sítě, pokud provádíte úpravy, měníte příslušenství, čistíte, provádíte údržbu a když nářadí nepoužíváte!



VAROVÁNÍ: Pohybující se části mohou způsobit rozdrčení nebo řezné poranění!



Pozor!



Třída ochrany II (dvojitá izolace pro vyšší ochranu)



**OCHRANA ŽIVOTNÍHO PROSTŘEDÍ**  
Nevyhazujte elektronářadí do domovního odpadu. Zařízení odevzdejte k recyklaci. V případě dotazů kontaktujte příslušný úřad nebo prodejce.



V souladu s příslušnou legislativou a bezpečnostními standardy.

## Tabulka technických zkratk

V	Volts
~, AC	Alternating current
A, mA	Ampere, milli-Amp
n <sub>0</sub>	No load speed
n	Rated speed
A <sub>b</sub>	Amp hours (battery capacity)
°	Degrees
Ø	Diameter
Hz	Hertz
, DC	Direct current
W, kW	Watt, kilowatt
/min or min <sup>-1</sup>	Operations per minute
λ	Wavelength
dB(A)	Decibel sound level (A weighted)
m/s <sup>2</sup>	Metres per second squared (vibration magnitude)

## Technická data

Model:	TDJ600
Napětí:	220 - 240V~ 50/60Hz
Vstupní výkon:	710W
Otáčky naprázdno:	17000 min <sup>-1</sup>
Rozteč mezi vrtáky:	32 mm
Hloubka vrtání:	0 - 38 mm
Průměr vrtání:	Ø 6 - 10 mm
Rozsah úhlu zkosení:	0 - 90°
Nastavení výšky:	9 - 43 mm
Třída ochrany:	
Délka přívodního kabelu:	3 m
Rozměry (D x Š x V):	470 x 155 x 220 mm
Hmotnost:	2.8kg

Vzhledem k nepřetržitému vývoji výrobků Triton se technická data našich výrobků mohou měnit bez ohlášení.

### Údaje o hluku a vibracích:

Akustický tlak L <sub>pa</sub> :	88.4dB(A)
Akustický výkon L <sub>wa</sub> :	99.4dB(A)
Tolerance K:	3 dB
Vážené vibrace:	2.584m/s <sup>2</sup>
Tolerance:	1,5 m/s <sup>2</sup>

Pokud úroveň hluku dle použití elektronářadí překročí 85 dB(A), je třeba přijmout ochranná hluková opatření.



**VAROVÁNÍ:** Pokud hladina hluku přesáhne 85 dB(A), vždy noste chrániče sluchu a omezte dobu práce s elektronářádi. Pokud se hladina hluku stane nepřijemnou, i s chrániči sluchu, ihned přestaňte nářadí používat. Zkontrolujte, zda mate chrániče sluchu správně připravené, aby mohly poskytovat potřebné snížení hladiny hluku, které elektronářádi vydává.

**VAROVÁNÍ:** Vystavení se vibracím elektronářádi může způsobit ztrátu vnímání dotyku, necitlivost rukou, mravenčení a/nebo omezenou schopnost úchopu. Dlouhodobé vystavení vibracím může obtížně změnit v chronický stav. Pokud je třeba, omezte čas, kdy jste vibracím vystaveni a používejte anti-vibrační rukavice. Elektronářádi nepoužívejte v prostředí s nižší než pokojovou teplotou, protože vibrace mohou mít větší efekt. Využijte hodnot uvedených v technických datech, abyste určili vhodnou délku práce a frekvenci práce s elektronářádi.

Úroveň hluku a vibrací byla změněna podle měřících metod normovaných v EN60745, příp. podobných mezinárodních standardů. Naměřené hodnoty odpovídají běžnému užítí elektronářádi v běžných pracovních podmínkách. Špatné udržování, nesprávné složené nebo špatné používané nářadí může vytvářet vyšší hladiny hluku i vibrací. [www.osha.europa.eu](http://www.osha.europa.eu) nabízí informace o úrovni hluku a vibrací v pracovním prostředí; tyto informace mohou být užitečné pro hobby uživatele, kteří používají přístroj častěji.

## Bezpečnostní opatření

**UPOZORNĚNÍ** Přečtete si všechna bezpečnostní varování a instrukce. Neuposlechnutí následujících varování může způsobit úraz elektrickým proudem, požár a/nebo vážné poranění.

**UPOZORNĚNÍ:** Tento přístroj nesmí být používán osobami (včetně dětí) s tělesným nebo mentálním poškozením. Dále ho nesmí používat osoby s minimem zkušeností nebo znalostí, pokud na ně nedohlížejí osoba zodpovědná za bezpečnost nebo jim nebyly předány instrukce k obsluze přístroje. Děti musí být seznámené s tím, že si s tímto přístrojem nesmí hrát.

Uchovávejte všechna varování a instrukce pro budoucí použití.

Výrazem "elektronářádi" zmiňovaným v bezpečnostních opatřeních se rozumí zařízení používané v elektrické síti (se síťovým kabelem) anebo zařízení, které využívá bateriový pohon (bez síťového kabelu).

### 1) Bezpečnost pracovního místa

- Udržujte pracovní místo čisté a dobře osvětlené. Nepořádek nebo neosvětlené pracovní místo může vést k úrazům.
- Nepoužívejte elektronářádi v prostředí ohroženém explozí, kde se nacházejí hořlavé kapaliny, plyny nebo prach. Elektronářádi vytváří jiskry, které mohou prach nebo páry zapálit.
- Děti a jiné přihlížející osoby udržujte při použití elektronářádi daleko od pracovního místa. Při rozptýlení můžete ztratit kontrolu nad přístrojem.

### 2) Bezpečná práce s elektřinou

- Připojovací zástrčka elektronářádi musí odpovídat zásuvce. Zástrčka nesmí být žádným způsobem upravována. Společně s elektronářádi musí s ochranným uzemněním nepoužívejte žádné adaptérové zástrčky. Neupravené zástrčky a vhodné zásuvky snižují pravděpodobnost úrazu elektrickým proudem.
- Vyhnete se tělesnému kontaktu s uzemněnými povrchy jako je potrubí, topná tělesa, sporáky a chladničky. Je-li vaše tělo uzemněno, hrozí zvýšené riziko úrazu elektrickým proudem.
- Chraňte zařízení před deštěm a vlhkem. Vniknutí vody do elektronářádi zvyšuje nebezpečí úrazu elektrickým proudem.
- Dbejte na účel kabelu, nepoužívejte jej k nošení či zavěšení elektronářádi nebo k vytáhnutí zástrčky ze zásuvky. Udržujte kabel daleko od tepla, oleje, ostrých hran nebo pohybujících dílů stroje. Poškozené nebo spletené kabely zvyšují riziko zášahu elektrickým proudem.
- Pokud pracujete s elektronářádi venku, použijte pouze takové prodlužovací kabely, které jsou způsobilé i pro venkovní použití. Použití prodlužovacího kabelu, jež je vhodné pro použití venku, snižuje riziko zášahu elektrickým proudem.
- Pokud se nelze vyhnout provozu elektronářádi ve vlhkém prostředí, použijte proudový chránič. Použití proudového chrániče snižuje riziko zášahu elektrickým proudem.
- Pro použití v Austrálii a na Novém Zélandu doporučujeme, aby byl tento výrobek VZDY dodáván společně s proudovým chráničem se zbytkovým proudem 30mA nebo méně.

### 3) Osobní bezpečnost

- Buďte pozorní, dávejte pozor na to, co děláte, a přístupujte k práci s elektronářádi rozumně. Nepoužívejte žádné elektronářádi, pokud jste unaveni nebo pod vlivem drog, alkoholu nebo léků. Moment nepozornosti při použití elektronářádi může vést k vážným poraněním.

- Noste osobní ochranné pomůcky a vždy ochranné brýle. Nošení osobních ochranných pomůcek jako je maska proti prachu, bezpečnostní obuv s protiskluzovou podrážkou, ochranná přilba nebo sluchátka, podle druhu použití elektronářádi, snižují riziko poranění.

- Zabraňte neúmyslnému uvedení do provozu. Přesvědčte se, že je elektronářádi vypnuté, dříve, než jej uchopíte, poneseťe či připojíte na zdroj proudu a/nebo akumulátor. Máte-li při nošení elektronářádi prst na spínači, nebo pokud stroj připojíte ke zdroji proudu zapnutý, může dojít k úrazu.
- Než elektronářádi zapnete, odstraňte seřizovací nástroje nebo šroubováky. Nástroj nebo klíč, který se nachází v otačivém dílu stroje, může vést k poranění.
- Zajistěte si bezpečný postoj a udržujte vždy rovnováhu. Tím můžete elektronářádi v neočekávaných situacích lépe kontrolovat.
- Noste vhodný oděv. Nenoste žádný volný oděv nebo šperky. Vlasy, oděv a rukavice udržujte daleko od pohybujících se dílů. Volný oděv, šperky nebo dlouhé vlasy mohou být zachyceny pohybujícími se díly.
- Lze-li namontovat odsávací či zachycující přípravky, přesvědčte se, že jsou připojeny a správně použity. Použití odsávání prachu může snížit ohrožení prachem.
- Svědomitě zacházení a používání elektronářádi
  - Přístroj nepřetěžujte. Pro svou práci použijte k tomu určené elektronářádi. S vhodným elektronářádi zvládnete práci lépe a bezpečněji.
  - Nepoužívejte žádné elektronářádi, jehož spínač nebo přívodní kabel je vadný. Elektronářádi, které nelze zapnout či vypnout, je nebezpečné a musí se opravit.
  - Než provedete seřízení stroje, výměnu dílů příslušenství nebo stroj odložíte, vytáhněte zástrčku ze zásuvky a/nebo odstraňte akumulátor. Toto preventivní opatření zabrání neúmyslnému zapnutí elektronářádi.
  - Uchovávejte nepoužívané elektronářádi mimo dosah dětí. Nenechte stroj používat osobám, které se strojem nejsou seznámeny nebo nečetly tyto pokyny. Elektronářádi je nebezpečné, je-li používáno nezkušenými osobami.
  - Pečujte o elektronářádi svědomitě. Zkontrolujte, zda pohyblivé díly stroje bezvadně fungují a nevzpříčují se, jiná díly nejsou zlomené nebo poškozené tak, že je omezena funkce elektronářádi. Poškozené díly nechte před opětovným použitím přístroje opravit. Mnoho úrazů má příčinu ve špatném udržování elektronářádi.
  - Rezné nástroje udržujte ostře a čisté. Pečlivě ošetřované rezné nástroje s ostrými reznými hranami se méně vzpříčují a snadněji se vedou.
  - Používejte elektronářádi, příslušenství, nasazovací nástroje apod. podle těchto pokynů. Respektujte přitom pracovní podmínky a prováděnou činnost. Použití elektronářádi pro jiné než určené použití může vést k nebezpečným situacím.
- Servis
  - Nechte vaše elektronářádi opravit pouze certifikovaným odborným personálem a pouze s originálními náhradními díly. Tím bude zajištěno, že bezpečnost stroje zůstane zachována.

## Bezpečnostní opatření pro kolíkovací a lamelovací frézy



- Kolíkovací vrtáky a lamelovací kotočce musí být určeny minimálně pro použití při rychlosti, která je doporučena na tomto nářadí. Vrtáky a kotočce, které se používají při vyšších než určených rychlostech, se mohou uvolnit a způsobit zranění.
- Vždy používejte ochranný kryt a jiné bezpečnostní prvky, které jsou součástí nářadí. Ty chrání pracovníka před částmi zlomeného vrtáku nebo části kotočce a před nezamýšleným kontaktem s ostrím nebo zuby.
- Nářadí držte pouze za izolované rukojeti a povrchy, pokud provádíte práci, při které by nářadí mohlo přijít do kontaktu s vlastním přívodním kabelem. Profizniti „živého“ kabelu může způsobit, že kovové části elektronářádi se stanou také „živými“ a mohou způsobit pracovníkovi úraz elektrickým proudem.
- Nedovolte nikomu mladšímu 18 let, aby používal toho nářadí. Ujistěte se, že pracovníci, kteří toto nářadí používají, jsou seznámeni s návodem a pokyny pro obsluhu.
- Pokud je třeba vyměnit přívodní kabel, musí to provést výrobce nebo prodejce, aby se předešlo bezpečnostnímu riziku.
- Důrazně se doporučuje, aby byl nástroj vždy používán s proudovým chráničem se jmenovitým zbytkovým proudem 30 mA nebo méně.

**VAROVÁNÍ:** Nepoužívejte tupé nebo ponížené vrtáky.

**VAROVÁNÍ:** Zkontrolujte správnou funkci krytu před použitím.



**Používejte vhodnou respirační ochranu:** Při používání tohoto nářadí může vznikat prach, který může obsahovat chemikálie, které jsou rakovinotvorné, způsobují poškození plodu a jiné potíže. Některá dřeva obsahují konzervanty jako např. anorganické soli typu CCA (měď-chrom-arzén), které mohou být jedovaté. Pokud takovouto materiál brousíte, vrtáte do nich nebo je řezáte, vyvarujte se kontaktu s kůží a použijte vhodnou respirační ochranu.

- a) Pokud používáte prodlužovací kabely na bubnu, kabel musí být celý odvinutý. Minimální průřez vodiče: 1,0 mm<sup>2</sup>
- b) Pokud nářadí používáte venku, připojte nářadí ke zdroji napájení s proudovým chráničem a minimálně 1,5 mm<sup>2</sup> prodlužovacím kabelem se zauskavkami s ochranou proti vodě a v dobrém stavu
- c) Před použitím se ujistěte, že vrták nebo kotouč je dobře přichycen. Nezajištěné vrtáky nebo kotouče mohou být vytrhnuty z nářadí a mohou představovat bezpečnostní riziko
- d) Vždy počkejte, dokud se nářadí úplně nezastaví, než ho odložíte
- e) Když používáte toto nářadí, vždy používejte osobní ochranné pomůcky, včetně ochranných brýlí nebo obličejového chrániče, chráničů sluchu a bezpečnostní oděv včetně ochranných rukavic. Pokud při práci vzniká prach, noste protiprachovou masku
- f) Ujistěte se, že máte dostatečné světlo na práci
- g) Ujistěte se, že vrták nebo kotouč se nedotýká materiálu, než začnete s nářadím pracovat
- h) Při práci s nářadím používejte obě ruce
- i) Vždy používejte přidavnou rukojeť dodávanou s nářadím, pokud pokyny v návodu neřikají něco jiného
- j) Na nářadí nevyvíjejte příliš velký tlak, zkrátíte byste tak životnost nářadí
- k) Vrtáky a kotouče se během provozu zahřívají – nechejte je vychladnout, než s nimi budete manipulovat
- l) Nikdy neodstraňujte z nářadí prach, třísky nebo odpad rukama, pokud je blízko vrtáků nebo kotoučů
- m) Pokud jste během práce vyrušeni, nejdříve dokončete řez a nářadí vypněte
- n) Kdykoliv je to možné, používejte svěrky nebo svěrák pro uchycení materiálu
- o) Před výměnou vrtáků nářadí vždy odpojte z elektrické sítě
- p) Uchycení vrtáků nebo kotoučů pravidelně kontrolujte, zda nevykazují známky opotřebení nebo poškození. Zničené součásti si nechejte opravit certifikovaným servisním centrem
- q) Až práci dokončíte, vypojte nářadí z elektrické sítě
- r) Pravidelně kontrolujte všechny šrouby, maticky apod.; je-li třeba, utáhněte je

## Bezpečnostní opatření pro řezné nářadí

**VAROVÁNÍ.** Zkontrolujte síťové napětí! Napětí zdroje proudu musí souhlasit s údaji na typovém štítku elektronářadí. Síťové napětí větší než napětí uvedené na typovém štítku může způsobit těžké poranění uživatele a/nebo zničení přístroje. Pokud si nejste jisti, přístroj nezapojte do sítě. Síťové napětí nižší než napětí uvedené na typovém štítku ničí motor.

### Používejte správné řezné nářadí

- Ujistěte se, že řezné nářadí je vhodné pro danou práci. Nepředpokládejte, že nářadí je vhodné, dokud se před použitím nepodíváte do návodu

### Chraňte svůj zrak

- Vždy noste vhodné ochranné brýle, když pracujete s řezným nářadím
- Brýle nejsou určeny pro ochranu očí při použití tohoto nářadí; běžná skla nejsou odolná proti nárazu a mohou se roztrhnout

### Chraňte svůj sluch

- Vždy noste vhodné chrániče sluchu, pokud hluk nářadí převyšuje 85 dB

### Chraňte si dýchací cesty

- Ujistěte se, že ve výi u okolostojících, mají vhodné dýchací masky

### Chraňte své ruce

- Nepřibližujte ruce ke kotoučům či jiným řezným nástrojům. Používejte vhodné pomůcky pro posouvání materiálu, pokud pracujete s kratšími kusy

## Sledujte své okolí

- Je zodpovědností uživatele nářadí, aby okolostojící lidé nebyli vystaveni nebezpečnému hluku nebo prachu a aby měli vhodné osobní ochranné pomůcky

## Skryté objekty

- Materiál zkontrolujte a odstraňte všechny hřebíky a jiné objekty před započetím práce
- Nepokoušejte se fezat materiál, který obsahuje skryté objekty, pokud si nejste jisti, že řezné nářadí přípevněné v nástroji tuto práci zvládne
- Ve stěnách mohou být elektrické rozvody a trubky, kapoty mohou obsahovat rozvody paliva apod. Vždy zkontrolujte místo, kde se chystáte pracovat, předtím, než práci započnete

## Dávejte pozor na odletující odpadní materiál

- V některých situacích může dojít k tomu, že odpadní materiál může být vymrštěn směrem pryč od nářadí. Je zodpovědností uživatele nářadí, aby okolostojící lidé byli chráněni před odletujícím materiálem

## Upevnění řezných nástrojů

- Ujistěte se, že řezné nástroje jsou správně a bezpečně přichyceny k nářadí. Zkontrolujte, že jste odstranili klíče před použitím nářadí
- Používejte pouze řezné nástroje určené pro práci s tímto nářadím
- Řezné nástroje neupravujte

## Směr vstupu materiálu

- Materiál vždy podávejte proti směru pohybu frézy nebo kotouče

## Dávejte pozor na teplotu nástrojů

- Při používání dochází k zahřátí řezných nástrojů. Nijak s nimi nemanipulujte, dokud úplně nevychladnou

## Kontrola prachu/špon

- Nedovolte, aby došlo k napečení prachu nebo špon. Prach se může vznítit a některé kovové špony mohou vybuchnout
- Při řezání dřeva a kovu buďte zvláště opatrní. Jiskry, které vznikají při řezání kovu, jsou běžnou příčinou vzniku požáru dřevitého prachu
- Kde je to možné, používejte systém pro odsávání prachu, abyste zajistili bezpečnější pracovní prostředí

## Popis dílů

1. Výškové a úhlové přestavitelný doraz
2. Průzor
3. Přídavná rukojeť
4. Tělo nářadí
5. Hlavní rukojeť
6. Aretační šroub hloubkového nastavení
7. Indikátor nuly
8. Měrka hloubky vrtání
9. Aretační šroub úhlového nastavení dorazu
10. Stupnice úhlu
11. Vodicí zuby
12. Svislý doraz
13. Protiskluzové podložky
14. Šablona s vodicími ryskami
15. Šestihorný klíč
16. Šroub pro nastavení výšky vrtání
17. Aretační šroub výškového nastavení vrtání
18. Stupnice výšky
19. Upínací kleština kolikovacího vrtáku
20. Zpětná pružina
21. Spínač
22. Výtluk pilin

**Součástí balení je:** kolikovací vrták 2 x 8 mm, šestihorný klíč a adaptér na výtluk pilin

# Doporučené použití

Přenosné elektrické nářadí, které vytváří otvory pro kolíky pro vytváření spojů ve dřevě.

## Před použitím

### Nasazení kolíkových vrtáků

**VAROVÁNÍ:** Vrtací nástavce jsou velmi ostré, při manipulaci buďte opatrní a používejte ochranné rukavice.

1. Otáčejte jednou z upínacích kleštín kolíkového vrtáku (19), dokud nezískáte přístup k utahovacímu šroubu (viz. obr. A)
2. Pro povolení šroubu použijte šestihřanný klíč (15)
3. Držte kolíkovací vrták tak, aby ploškou v díku směřoval k utahovacímu šroubu
4. Vsuňte stopku kolíkového vrtáku co nejlhouběji do upínací kleštiny a utáhněte utahovacím šroubem.
5. Zkontrolujte bezpečné upevnění vrtáku
6. Opakujte tento postup i u druhého vrtáku

### Vynulování měřky hloubky vrtání

Po usazení vrtáků je třeba přenastavit měrku hloubky vrtání (8) a indikátor nuly (7) tak, aby měrka ukazovala správně (viz. obr. C).

1. Dostatečně povolte aretační šroub hloubkového nastavení (6) tak, aby se hloubková měrka mohla volně pohybovat
  2. Použijte kousek dřeva, který umístíte proti svíslému dorazu (12) a opatrně tlačte tělo nástroje (4) dopředu, dokud se nezastaví. Tím se srovná špička vrtáků s úrovní svíslého dorazu. Držte v této pozici
- Poznámka:** V závislosti na použitých vrtácích se může stát, že špička vrtáků už je ve správné pozici nebo potřebuje jenom malou úpravu
3. Posuňte hloubkovou měrku vrtání (8), jak nejvíce dozadu směrem od svíslého dorazu je to možné, a utáhněte aretační šroub hloubkového nastavení (6). Přitom stále držte nástroj v pozici z kroku 2
  4. Posuňte indikátor nuly (7) tak, aby ryska byla zarovnaná s nulou na hloubkové měrce
  5. Proveďte finální kontrolu, abyste se ubezpečili, že vrtáky jsou v rovině se svíslým dorazem, přičemž indikátor nuly je zároveň s nulou na hloubkovém nastavení vrtání

**Poznámka:** Nemusíte přenastavovat indikátor nuly, pokud nevy měňujete vrtáky.

### Připojení systému pro odsávání prachu

1. Natlačením nasuňte dodaný adaptér na výfuk pilin (22 a obr. B)
2. K adaptéru připojte hadici ze systému pro odsávání prachu a ujistěte se, že je správně přichycená

**Poznámka:** Pozici adaptéru si můžete upravit, aby směřovala pod úhlem 180° směrem k obsluze.

### Nastavení úhlu dorazu

Výškově a úhlově přestavitelný doraz (1) má 90° úhlový rozsah se značkami pro rychlé a snadné nastavení v úhlech 22,5°, 45° a 67,5°.

Nastavení úhlu vyžaduje:

1. Povolte aretační šroub úhlového nastavení dorazu (9)
2. Natočte doraz do požadovaného úhlu na stupnici úhlu (10), viz. obr. D
3. Pro zajištění v požadovaném úhlu utáhněte aretační šroub úhlového nastavení dorazu

**Poznámka:** Před vrtáním zkontrolujte bezpečné utáhnutí dorazu, neúplné dotažení může způsobit poškození opracovávaného materiálu nebo nářadí

**Poznámka:** Stupnice úhlu je jen přibližná; použijte jiný nástroj pro změření úhlu, pokud potřebujete přesné nastavení úhlu

### Použití průzoru

Tři rysky na průzoru (2) znázorňují:

- osu každého z vrtáků
- osu mezi oběma vrtáky

Použijte tyto rysky pro přesné zarovnání kolíkovací frézy se značkami, které máe vyznačeny na opracovávaném materiálu

**Poznámka:** Triton Kolíkovací fréza vrtá díry s roztečí přesně 32 mm. To činí tento nástroj kompatibilní se „Systémem 32“ pro výrobu skříněk – ideální pro vytváření rozmístěných řad děr v bocích skříněk.

### Nastavení hloubky vrtání

- Měrka hloubky vrtání (8) umožňuje nastavení hloubky vrtání v rozsahu od 0 – 38 mm, viz. obr. F
  - Kdykoli jsou měněny vrtáky, musíte vynulovat indikátor nuly (7) a měrku hloubky vrtání (8), viz. „Vynulování měrky hloubky vrtání“
  - Pro požadované nastavení hloubky použijte stupnici na měrce
1. Povolte aretační šroub hloubkového nastavení (6) tak, aby se měrka mohla volně pohybovat vpřed i vzad
  2. Umístěte měrku tak, že požadovaná hloubka (na stupnici) je zarovnaná s ryskou na indikátoru nuly (7)
  3. Utáhněte aretační šroub hloubkového nastavení v požadované pozici. Toto bude omezovat pohyb těla frézy a následně hloubku vrtání do maximální hodnoty, kterou jste nastavili

### Nastavení výšky vrtání

Díky výškovému nastavení vrtání pomocí ozubnice lze plynule nastavovat výšku vrtání od 9 mm do 43 mm (obr. G)

1. Povolte aretační šroub výškového nastavení vrtání (17)
2. Pro snížení nebo zvýšení pozice dorazu (1) otáčejte šroubem pro nastavení výšky vrtání (16)
3. Zarovnejte černou šipku na mechanismu výškového nastavení s požadovanou výškou na stupnici výšky (18)
4. Utáhněte aretační šroub výškového nastavení vrtání pro zajištění dorazu (1) v nastavené výšce

## Pokyny pro použití

**DŮLEŽITÉ:** Při vrtání vždy používejte obě ruce. Pro bezpečné držení nářadí při práci držte jednou rukou tělo nářadí (4) s palcem položeným na spínači (21), druhou rukou držte přídavnou rukojeť (3)

### Vypnutí a zapnutí

- Pro spuštění nářadí zmačkněte spínač (21)
- Pokud nářadí chcete vypnout, spínač uvolněte

#### Poznámky:

- Abyste mohli frézou vrtat díry do materiálu, je nejdříve třeba nastavit kolíkovací frézu podle pokynů k nastavení frézy v části „Před použitím“. Na materiál je třeba tužkou vyznačit, kde chcete vrtat díry
- Je důležité, abyste měli místa, kde budete vrtat, přesně označená. Může být jednodušší k sobě volně spojit obě spojované části přesně tak, jak je chcete mít spojeny, a poté na obou najednou vyznačit, kde všude chcete vrtat díry. Vytvřete. Pak opět volně sestavte a s osazenými prvými dvěma spojovacími kolíky překontrolujte přesnost označení. Ideální je jako první vyvrtat prostřední díry ve spojovaných částech
- Při spojování kolíkovými spoji je vždy jen minimální tolerance, proto je důležité přesně rozměření pozic kolíků. Klíčové jsou spoje na krajích spojovaných částí. Proto pokud možno začínáte od středu, kde při chybě není problém vyvrtat opravné spojovací díry
- Materiál je třeba přichytit svérkou k pracovnímu stolu nebo alespoň mezi materiál a ponk vložit nějakou neklouzavou gumovou podložku

1. Držte tělo nářadí jednou rukou tak, že váš palec spočívá na spínači (21)
2. Zarovnejte vodítko na průzoru (2) se značkami na materiálu a umístěte kolíkovací frézu do vrtací pozice
3. Umístěte nářadí proti materiálu tak, že svíslý doraz (12) a spodní část dorazu (1) se plně dotýkají materiálu (viz. obr. H)
4. Druhou rukou tlačte na přední část dorazu (1); tím nářadí držíte v přesné pozici. Ujistěte se, že mezi svíslým dorazem (12) a materiálem a pod dorazem (1) nejsou žádné mezery. Posuňte ruku zpět na rukojeť (3), abyste nářadí drželi v bezpečné pozici

**Poznámka:** Při vrtání může být lepší pro udržení nářadí ve stejné pozici spíše tlačít na doraz (1) (obr. H) než na přídavnou rukojeť (3)

**Poznámka:** Při použití protiskluzové gumové podložky je také vhodné tláčit směrem dolů na materiál. Toto ale provádějte pouze v případě, že zvládáte nářadí držet pouze jednou rukou. Pro maximální bezpečnost je ideální držet nástroj oběma rukama a vrtanou část mít pevně přichycenou svérkami k pracovnímu stolu.

5. Jedním plynulým pohybem stlačte spínač (21) a zatlačte nářadím dopředu, aby vrtáky vnikly do materiálu (viz. obr. I)
6. Zatlačte tělo nářadí, jak nejvíce dopředu to jde, dokud není posuv vrtání zastaven měrkou hloubky vrtání (8); tím vytvoříte otvory v požadované hloubce
7. Nářadí ponechte zapnuté a rotující vrtáky vysuňte z vyvrtaných děr. Nářadí při tom držte pevně oběma rukama. Jakmile jsou vrtáky venku z děr, vypněte stroj uvolněním spínače (21)

**POZNÁMKA:** Zpětné pružiny (20) způsobí, že se fréza automaticky vrátí do základní polohy. Vrtáky vysouvějte při stálém tlaku na doraz i svislý doraz. Pracovník by měl pozorně sledovat vyjíždění vrtáků a zejména dávat pozor na to, aby se nářadí nikam nepohnulo a zůstalo v přesné pozici vzhledem k vyvrtaným otvorům

9. Jakmile jsou vrtáky úplně venku a přestaly rotovat, můžete nářadí sundat z materiálu

**Poznámka:** Doporučujeme nejprve si procvičit práci s kolíkovací frézou na kousku dřeva pro pochopení, jak fréza pracuje.

## Umístění frézy

- Abyste mohli vyvrtat odpovídající díry v čele spojovaného kusu, nářadí musí být umístěno kolmo ke straně materiálu, do které vrtáte
- Doporučujeme pracovat s nářadím směřujícím dolů - pak můžete využít váhy nářadí při vrtání, na rozdíl od vrtání směrem nahoru
- Pokud potřebujete vrtat díry daleko od okraje, nastavte doraz (1) tak, aby byl ve stejné rovině jako svislý doraz (12). Tím docílíte toho, že se fréza může volně pohybovat po materiálu (obr. K). Před vrtáním se ujistěte, že je nářadí bezpečně a pevně umístěno

## Použití šablon a vodících pravítek

Kolíkovací fréza je vybavena vodícími zuby (11) a šablonou s vodícími ryskami (14), které umožňují rychlé vrtání děr při použití šablon (není součástí balení)

- Použití takovéto šablony výrazně urychlí vrtání přesných děr při výrobě nábytku. Vhodné použití je také při vrtání děr v přesné rozteči pro policové systémy

1. Po důkladném měření přichyťte svérkami šablonu k vrtané části
2. Nastavte frézu tak, abyste použili šablonu společně se šablonou s vodícími ryskami (14) nebo vodícími zuby (11)

**POZNÁMKA:** Ujistěte se, že je správně nastavena hloubka vrtání a úhel a výška dorazu

3. Vyvrtejte požadované díry tak, že vodící zuby kolíkovací frézy vložíte do šablony nebo vodícího pravítka, a budete vrtat jako obvykle

**POZNÁMKA:** Při používání šablony nebo vodícího pravítka je vhodné nastavit doraz (1) tak, aby byl v jedné rovině s svislým dorazem (12) a dalo se s frézou volně pohybovat po ploše

**POZNÁMKA:** I přesto, že je k dispozici mnoho komerčních šablon a vodících pravítek, není složité si vyrobit nějaké alternativní

## Ostatní spoje

**POZNÁMKA:** Použití tohoto nářadí je širší než pouze funkce, které jsou popsány v tomto návodu. Návod slouží pouze pro seznámení s ovládaním a s funkcemi této kolíkovací frézy

## Příslušenství

Plný sortiment příslušenství najdete u vašeho prodejce Triton. Náhradní díly si můžete objednat u prodejce Triton nebo na [toolsparsonline.com](http://toolsparsonline.com)

## Údržba

**VAROVÁNÍ:** Předtím, než na nářadí provádíte úpravy nebo opravy, se ujistěte, že je nářadí odpojeno z elektrické sítě.

- Před každým použitím kontrolujte, zda přívodní kabel není poškozen nebo nevykazuje známky opotřebení. Totéž se týká i prodlužovacích kabelů, pokud je s nářadím používáte
- Pokud je třeba vyměnit přívodní kabel, musí to provést výrobce nářadí anebo jeho prodejce, abyste předešli bezpečnostnímu riziku

## Základní kontrola

- Pravidelně kontrolujte, že všechny šrouby jsou pevně přitážené. Působením času a vibrací se mohou uvolnit.

## Promazávání

- Promazávejte všechny pohyblivé díly vhodným sprejem v pravidelných intervalech

## Čištění

**VAROVÁNÍ:** VŽDYDY používejte ochranné brýle, pokud nářadí čistíte

- Udržujte nářadí vždy čisté. Špína a prach může způsobit, že dojde k rychlému opotřebení vnitřních částí a zkrátí se tak životnost nářadí
- Tělo nářadí čistěte pomocí jemného kartáčku nebo suchého hadříku
- Nikdy nepoužívejte leptavé látky pro očištění plastových povrchů. Pokud je suché čištění nedostatečné, použijte jemný saponát nebo vlhký hadřík
- Nářadí nikdy nesmí přijít do kontaktu s vodou
- Ujistěte se, že nářadí je dostatečně vysušeno před použitím
- Pokud máte k dispozici stlačený čistý, suchý vzduch, profoukněte jím ventilační otvory

## Uhlíky

- Po určitém čase může dojít k opotřebování uhlíků uvnitř motoru
- Opotřebovaný uhlík může způsobit ztrátu výkonu, občasné selhání nebo viditelné jiskření
- Pro výměnu uhlíků odstraňte čtyři šrouby, které zajišťují kryt hlavní rukojeti (5). Obě strany opatrně odstraňte; ujistěte se, že nedojde k poškození nebo vytažení kabelů. Vyndejte opotřebované uhlíky a nahraďte je novými. Znovu nasadte kryt a zajistěte šrouby. Příklad: si nechejte vyměnit uhlíky v certifikovaném servisním středisku Triton

## Likvidace

Vždy dbejte místních zákonů, pokud potřebujete přístroj zlikvidovat, protože již nefunguje a není možné ho opravit.

- Nevyhazujte elektronářadí nebo jiný elektroodpad (WEEE) do domovního odpadu
- V případě dotazů kontaktujte příslušný úřad pro bližší informace o likvidaci elektrozařízení

## Záruka

Pro registraci záruky navštivte naše webové stránky [www.tritontools.com](http://www.tritontools.com)\* a zadejte informace o výrobku. Vaše údaje budou uloženy (pokud tuto možnost nezakážete) a budou vám zasílány novinky. Vaše údaje neposkytneme žádné třetí straně.

## Záznam o nákupu

Datum pořízení: \_\_\_ / \_\_\_ / \_\_\_\_

Model: TDJ600

Kupní doklad uschovejte jako potvrzení zakoupení výrobku

## CE Prohlášení o shodě

**Níže podepsaný:** pan Darrell Morris

**zplnomocněný:** Triton Tools

prohlašuje, že

**Výrobek číslo:** 186171

**Popis:** Kolíkovací fréзка

**Byl uveden na trh ve shodě se základními požadavky a příslušnými ustanoveními následujících směrnic:**

- Směrnice o bezpečnosti strojních zařízení 2006/42/EC
- Směrnice o technických požadavcích na výrobky z hlediska nízkého napětí 2006/95/EC
- Směrnice o technických požadavcích na výrobky z hlediska jejich elektromagnetické kompatibility 2014/108/EC
- Směrnice RoHS 2011/65/EU
- EN60745-2-19:2005+A1:2010
- EN60745-1:2009+A11:2010
- EN55014-1:2009+A2:2011
- EN55014-2:1997+A2:2008
- EN61000-3-2:2014
- EN61000-3-3:2013 · EN62321:2009

Pokud se během 3-letá ode dne nákupu objeví závada výrobku společnosti Triton Precision Power Tools, která byla způsobena vadou materiálu nebo vadným zpracováním, Triton opraví nebo vymění vadný díl zdarma.

Tato záruka se nevztahuje na výrobky, které budou používány pro komerční účely, a dále na poškození, které je způsobeno neodborným použitím nebo mechanickým poškozením výrobku.

\* Registrovat se během 30 dní od nákupu.

Změna podmínek vyhrazena.


Těmito podmínkami nejsou dotčena vaše zákonná práva.

**Notifikovaná osoba:** TÜV SÜD Product Service

**Technická dokumentace je uložena u:** Triton Tools

**Datum:** 05/05/15

**Podpis:**



Mr Darrell Morris

Výkonný ředitel

**Jméno a adresa výrobce:**

Powerbox International Limited, Company No. 06897059. Registrovaná

adresa: Powerbox, Boundary Way, Lufton Trading Estate, Yeovil, Somerset

BA22 8HZ, United Kingdom.

# Preklad originálneho návodu

## Úvod

Ďakujeme za zakúpenie výrobku Triton. tento manuál obsahuje informácie nutné k bezpečnému používaniu a správne fungovaniu tohto výrobku. Tento výrobok ponúka mnoho jedinečných funkcií. Je možné, že ste už s podobným výrobkom pracovali, napriek tomu si však prečítajte tento manuál, aby ste naplno pochopili všetky inštrukcie. Uistite sa, že každý, kto s výrobkom pracuje, si tento manuál prečítal a porozumel mu.

## Použitie symboly

Typový štítok na vašom náradí môže obsahovať symboly. Tie predstavujú dôležité informácie o výrobku alebo pokyny na jeho použitie.



Používajte chrániče sluchu  
Používajte ochranné okuliare  
Používajte respirátory  
Používajte ochranu hlavy



Používajte ochranné rukavice



Prečítajte si návod



Varovanie: Ostré ostrie alebo zuby!



Nepoužívajte v daždi alebo vo vlhkom prostredí!



Náradie vždy vypojte z elektrickej siete, ak vykonávate úpravy, meníte príslušenstvo, čistíte, vykonávate údržbu a keď náradie nepoužívate!



**VAROVANIE:** Pohyblivé časti môžu spôsobiť rozdrvenie alebo rezné poranenia!



Pozor!



Trieda ochrany II (dvojitá izolácia pre väčšiu ochranu)



**Ochrana životného prostredia**  
Nevyhadzujte elektronáradie do domového odpadu.  
Zariadenie odovzdajte na recykláciu. V prípade otázok kontaktujte príslušný úrad alebo predajcu.



V súlade s príslušnou legislatívou a bezpečnostnými štandardmi.

## Tabuľka technických skratiek

V	volyt
~, AC	striedavý prúd
A, mA	ampér, miliampér
n <sub>0</sub>	otáčky naprázdno
n	menovité otáčky
A <sub>b</sub>	ampér (kapacita batérie)
°	stupne
Ø	priemer
Hz	jednosmerný prúd
, DC	watt, kilowatt
W, kW	operácie za minútu
$\frac{mm}{min}$ or $\frac{mm}{s}$	jednosmerný prúd
λ	vlnová dĺžka
dB(A)	hladina akustického tlaku v decibeloch (vážená)
m/s <sup>2</sup>	metre za sekundu <sup>2</sup> (veľkosť vibrácií)

## Technické informácie

Model:	TDJ600
Napätie:	220 - 240V~ 50/60Hz
Vstupný výkon:	710W
Otáčky naprázdno:	17000 min <sup>-1</sup>
Rozteč medzi vrtákmi:	32 mm
Hĺbka vrtania:	0 – 38 mm
<b>Priemer vrtania:</b>	Ø 6 - 10 mm
Rozsah uhla skosenia:	0 - 90°
Nastavenie výšky:	9 – 43 mm
Trieda ochrany:	
Dĺžka prívodného kábla:	3 m
Rozmery (D x Š x V):	470, x 155 x 220 mm
Hmotnosť:	2,8 kg

Vzhľadom na nepretržitý vývoj výrobkov Triton, sa technické informácie našich výrobkov môžu meniť bez ohľadovania.

### Údaje o hluku a vibráciách:

Akustický tlak LPA:	88.4dB(A)
Akustický výkon LWA:	99.4dB(A)
Tolerancia K:	3 dB
Vážené vibrácie:	2.584m/s <sup>2</sup>
Tolerancia:	1,5 m/s <sup>2</sup>

Pokiaľ úroveň hluku podľa použitého elektronáradia prekročí 85 dB(A), je treba prijať ochranné protihlukové opatrenia.

**VAROVANIE:** Ak hladina hluku presiahne 85 dB(A), vždy noste chrániče sluchu a obmedzte dobu práce s elektrónarádmi. Pokiaľ sa hladina hluku stane neprijmnoú aj s chráničmi sluchu, ihneď prestaňte náradie používať. Skontrolujte, či máte chrániče sluchu správne pripavené, aby mohli poskytovať potrebné zníženie hladiny hluku, ktoré elektrónarádie vydáva.

**VAROVANIE:** Vystavenie sa vibráciám elektrónarádia môže spôsobiť stratu vnímania dotyku, necitlivosť rúk, mračvenie a/alebo obmedzenú schopnosť úchopu. Dlhodobé vystavenie sa vibráciám môže tieto problémy zmeniť na chronický stav. Ak je treba, obmedzte čas, kedy ste vibráciám vystavení a používajte anti-vibračné rukavice. Elektrónarádie nepoužívajte v prostredí s teplotou nižšou než je izbová teplota, pretože vibrácie môžu mať väčší efekt. Využite hodnoty uvedené v technických informáciách, aby ste určili vhodnú dobu práce a frekvenciu práce s elektrónarádmi.

Úroveň hluku a vibrácií bola zmeraná podľa meracích metód normovaných v EN60745, príp. podobných medzinárodných štandardov. Namerané hodnoty zodpovedajú bežnému používaniu elektrónarádia v bežných pracovných podmienkach. Nevhodne udržiavané, nesprávne zložené alebo nesprávne používané náradie môže vytvárať vyššie hladiny hluku a vibrácií.

[www.osha.europa.eu](http://www.osha.europa.eu) ponúka informácie o úrovni hluku a vibrácií v pracovnom prostredí; tieto informácie môžu byť užitočné pre hobby používateľov, ktorí používajú prístroj častejšie.

## Bezpečnostné opatrenia

**UPOZORNENIE:** Prečítajte si všetky bezpečnostné varovania a inštrukcie. Neuposlúchnutie nasledujúcich varovaní môže spôsobiť úraz elektrickým prúdom, požiar a/alebo vážne poranenie!

**UPOZORNENIE:** Tento prístroj nesmie byť používaný osobami (vrátane detí) s telesným alebo mentálnym postihnutím. Ďalej ho nesmú používať osoby, ktoré majú nedostatok skúsenosti a znalosti, pokiaľ na ne nedohládla osoba zodpovedná za bezpečnosť alebo pokiaľ im neboli odovzdané inštrukcie na obsluhuovanie zariadenia. Deti musia byť oboznámené s faktom, že sa s týmto prístrojom nesmú hrať.

Uschovajte všetky varovania a inštrukcie pre budúce použitie.

Pod výrazom „elektrónarádie“ používaným v bezpečnostných opatreniach sa rozumie zariadenie zapojené do elektrickej siete (sieťového káblom) alebo zariadenie, ktoré využíva batériový pohon (bez sieťového kábla).

### 1) Bezpečnosť pracovného miesta

- Udržujte pracovné miesto čisté a dobre osvetlené. Neoporiadok alebo neosvetlené pracovné miesto môže viesť k úrazom.
- Nepoužívajte elektrónarádie v prostredí kde hrozí výbuch, kde sa nachádzajú horľavé kvapaliny, plyny alebo prach. Elektrónarádie vyvoláva iskry, ktoré môžu prach alebo výparny zapáliť.
- Deti a iné prirahujúce osoby udržujte pri používaní elektrónarádia ďaleko od pracovného miesta. Pri rozptýlení môžete stratiť kontrolu nad prístrojom.

### 2) Bezpečná práca s elektrinou

- Pripojovacia zástrčka elektrónarádia musí zodpovedať zásuvke. Zástrčka nesmie byť žiadnym spôsobom upravená. Pri používaní elektrónarádia s ochranným uzemnením nepoužívajte žiadne adaptérne zástrčky. Neupravené zástrčky a vhodné zásuvky znižujú pravdepodobnosť úrazu elektrickým prúdom.
- Vyhňte sa telesnému kontaktu s uzemnenými povrchmi ako je potrebie, vykurovacie telesá, sporáky a chladničky. Ak je vaše telo uzemnené, hrozí zvýšené riziko úrazu elektrickým prúdom.
- Chráňte zariadenie pred dažďom a vlhkom. Vniknutie vody do elektrónarádia zvyšuje nebezpečenstvo úrazu elektrickým prúdom.
- Dbajte na účel kábla, nepoužívajte ho na nosenie či vešanie elektrónarádia alebo na vytiahnutie zástrčky zo zásuvky. Udržujte kábel ďaleko od tepla, oleja, ostrých hrán alebo pohyblivých dielov stroja. Poškodené alebo zamotané káble zvyšujú riziko zásahu elektrickým prúdom.
- Pokiaľ pracujete s elektrónarádmi vonku, použite jedine také predlžovacie káble, ktoré sú usposobené aj pre vonkajšie použitie. Použite predlžovacie káble, ktorý je vhodný na použitie vonku, znižuje riziko zásahu elektrickým prúdom.
- Pokiaľ sa nedá vyhnúť použitiu elektrónarádia vo vlhkom prostredí, použite prúdový chránič. Použitie prúdového chrániča znižuje riziko zásahu elektrickým prúdom.
- Pre použitie v Austrálii a na Novom Zélande ODPORUČAME, aby bol tento výrobok vždy dodávaný spoločne s prúdovým chráničom so zvyškovým prúdom 30mA alebo menej.

### 3) Osobná bezpečnosť

- Buďte pozorní, dávajte pozor na to, čo robíte a prístupujte k práci s elektrónarádmi rozumne. Pokiaľ ste unavení, pod vplyvom drog, alkoholu alebo liekov, elektrónarádie nepoužívajte. Moment nepozornosti pri použití elektrónarádia môže viesť k vážnym poraneniám.

- Noste osobné ochranné pomôcky a vždy ochranné okuliare. Nosenie osobných ochranných pomôcok ako je maska proti prachu, bezpečnostná obuv s protišmykovou podrážkou, ochranná prilba alebo slúchadlá podľa druhu použitého elektrónarádia znižuje riziko poranenia.
- Zabráňte neúmyselnému uvedeniu zariadenia do prevádzky. Presvedčte sa, či je elektrónarádie vypnuté skôr, než ho uchopíte, poniesite či pripojíte k zdroju prúdu a/alebo akumulátoru. Ak máte pri nesení elektrónarádia prst na spínači, alebo pokiaľ stroj pripojíte k zdroju prúdu s už zapnutým vypínačom, môže dôjsť k úrazom.
- Než elektrónarádie zapnete, odstráňte nastavovacie náradie alebo skrutkovače. Nástroj alebo kľúč, ktorý sa nachádza v otáčavom diely stroja, môže viesť k poraneniu.
- Zaisťte si bezpečný postoj a vždy udržujte rovnováhu. Tým môžete elektrónarádie v neočakávaných situáciách lepšie kontrolovať.
- Noste vhodný odev. Nenoste žiadny voľný odev alebo šperky. Vlasy, odev a rukavice udržujte ďaleko od pohyblivých sa dielov. Voľný odev, šperky alebo dlhé vlasy môžu byť zachytené pohyblivými sa dielmi.
- Ak je možné namontovať odsávače či zachytávajúce zariadenia, presvedčte sa, že sú pripojené a správne používané. Použitie odsávania prachu môže znížiť ohrozenia spôsobené prachom.
- Svedomitě zaobchádzajte a používanie elektrónarádia
  - Prístroj nepreťažujte. Na prácu, ktorú vykonávate, použite na to určené elektrónarádie. S vhodným elektrónarádmi zvládnete prácu lepšie a bezpečnejšie.
  - Nepoužívajte elektrónarádie, ktorého spínač alebo prírodný kábel je chybný. Elektrónarádie, ktoré sa nedá zapnúť či vypnúť, je nebezpečné a musí sa opraviť.
  - Kým vykonáte zastavenie stroja, výmenu dielov prúdovnice alebo stroj odložte, vytlahnite zástrčku zo zásuvky a/alebo odstráňte akumulátor. Toto preventívne opatrenie zabráni neúmyselnému zapnutiu elektrónarádia.
  - Nepoužívané elektrónarádie uchovávajte mimo dosah detí. Stroj nedovoľte používať osobám, ktoré so strojom nie sú oboznámené alebo nečítali tieto pokyny. Elektrónarádie je nebezpečné, ak je používané nesúhlasnými osobami.
- Svedomite sa o elektrónarádie starajte. Skontrolujte, či pohyblivé diely stroja fungujú bezchybne a nie sú vzpričené, či diely nie sú zlomené alebo poškodené tak, že je obmedzená funkcia elektrónarádia. Poškodené diely nechajte prepláť ovčím použitím prístroja opraviť. Mnoho úrazov je zapríčinených zlou údržbou elektrónarádia.
- Rezné nástroje udržujte ostré a čisté. Riziko vzpriechenia správne ošetrovaných rezných nástrojov s ostrými reznými hranami je menšie, a takto ošetrované nástroje sa ľahšie vedú.
- Používajte elektrónarádie, príslušenstvo, nasadzovacie nástroje a pod. podľa týchto pokynov. Rešpektujte pritom pracovné podmienky a vykonávanú činnosť. Používanie elektrónarádia na iné než určené použitie môže viesť k nebezpečným situáciám.
- Servis
  - Svoje elektrónarádie nechávajte opraviť výhradne certifikovaným odborným personálom za použitia výhradne originálnych náhradných dielov. Tým bude zaistené, že bezpečnosť stroja zostane zachovaná.

## Bezpečnostné opatrenia pre kolíkovacie a lamelovacie frézy



**VAROVÁNIE!**

- Kolíkovacie vrtáky a lamelovacie kotúče musia byť určené minimálne pre použitie pri rýchlosti, ktorá je odporúčaná na tomto náradí. Vrtáky a kotúče, ktoré sa používajú pri vyšších než určených rýchlostiach, sa môžu uvoľniť a spôsobiť zranenie.
- Vždy používajte ochranný kryt a iné bezpečnostné prvky, ktoré sú súčasťou náradia. Tie chránia pracovníka pred časťami zlomeného vrtáku alebo časťmi kotúča a pred neúmyselným kontaktom s ostrým alebo zubami.
- Náradie držte iba za izolované rukoväte a povrchy, ak vykonávate prácu, pri ktorej by náradia mohli prísť do kontaktu s vlastným prírodným káblom. Prerezenie "živeho" kábla môže spôsobiť, že kovové časti elektrického náradia sa stanú tiež "živými" a môžu spôsobiť pracovníkovi úraz elektrickým prúdom.
- Nedovoľte nikomu mladšiemu ako 18 rokov, aby používal toho náradie. Uistite sa, že pracovníci, ktorí toto náradie používajú, sú oboznámení s návodom a pokynmi pre obsluhu.
- Ak je potrebné vymeniť prírodný kábel, musí to vykonať výrobca alebo predajca, aby sa predišlo bezpečnostnému riziku.
- Dôrazne sa odporúča, aby bol nástroj vždy používaný s prúdovým chráničom s menovitým zvyškovým prúdom 30 mA alebo menej.

**VAROVANIE:** Nepoužívajte tupé alebo poníčené vrtáky.

**VAROVANIE:** Skontrolujte správnu funkciu krytu pred použitím.



**Používajte vhodnú respiračnú ochranu:** Pri používaní tohto náradia môže vzniknúť prach, ktorý môže obsahovať chemikálie, ktoré sú rakovinotvorné, spôsobujú poškodenie pľudu a iné ťažkosti. Niektoré dreva obsahujú konzervanty ako napr. anorganické soli typu CCA (meď-chróm-arzén), ktoré môžu byť jedovaté. Ak takéto materiály brúsite, vrtáte do nich alebo je režete, vyvarujte sa kontaktu s kožou a použite vhodnú ochranu dýchania.

- Ak používate predlžovacie káble na bubne, kábel musí byť celý odvinutý. Minimálny prierez vodiča: 1,0 mm<sup>2</sup>
- Ak náradie používate vonku, pripojte náradie ku zdroju napájania s prúdovým chráničom a minimálne 1,5 mm<sup>2</sup> predlžovacím káblom so zásuvkami s ochranou proti vode a v dobrom stave
- Pred použitím sa uistite, že vrták alebo kotúč je dobre prichytený. Nezabezpečené vrtáky alebo kotúče môžu byť vytrhnuté z náradia a môžu predstavovať bezpečnostné riziko
- Vždy počkajte, kým sa náradie úplne nezastaví, než ho odložíte
- Keď používate toto náradie, vždy používajte osobné ochranné pomôcky, vrátane ochranných okuliarov alebo obličjového chrániča, chrániča sluchu a bezpečnostný odev vrátane ochranných rukavíc. Pokiaľ pri práci vzniká prach, používajte ochrannú masku
- Uistite sa, že máte dostatočné svetlo na prácu
- Uistite sa, že vrták alebo kotúč sa nedotýka materiálu, než začnete s náradím pracovať
- Pri práci s náradím používajte obe ruky
- Vždy používajte prídavnú rukoväť dodávanú s náradím, ak pokyny v návode nehovoria niečo iné
- Na náradie nevyvíjajte príliš veľký tlak, skrátili by ste tak životnosť náradia
- Vrtáky a kotúče sa počas prevádzky zahrievajú - nechajte ich vychladnúť, než s nimi budete manipulovať
- Nikdy neodstraňujte z náradia prach, triesky alebo odpad rukami, pokiaľ je blízko vrtákov alebo kotúča
- AK ste počas práce vyrušení, najskôr dokončíte rez a náradie vypnite
- Kedykoľvek je to možné, používajte svorky alebo zverák pre uchytenie materiálu
- Pred výmenou vrtákov náradie vždy odpojte z elektrickej siete
- Uchytenie vrtákov alebo kotúčov pravidelne kontrolujte, či nevykazuje známky opotrebenia alebo poškodenia. Zničené súčasti si nechajte opraviť certifikovaným servisným centrom
- Až prácu dokončíte, vypojte náradie z elektrickej siete
- Pravidelne kontrolujte všetky skrutky, matičky a pod.; ak je treba, utiahnite je

## Bezpečnostné opatrenia pre rezné náradie

**VAROVANIE:** Skontrolujte sieťové napätie! Napätie zdroja prúdu musí súhlasiť s údajmi na typovom štítku elektronáradia. Sieťové napätie väčšie ako napätie uvedené na typovom štítku môže spôsobiť ťažké poranenie používateľa a/alebo zničenie prístroja. Ak si nie ste istí, prístroj nezapájajte do siete. Sieťové napätie nižšie ako napätie uvedené na typovom štítku ničia motor.

## Používajte správne rezné náradie

- Uistite sa, že rezné náradie je vhodné pre danú prácu. Nepredpokladajte, že náradie je vhodné, kým sa pred použitím nepozriete do návodu

## Chráňte svoj zrak

- Vždy noste vhodné ochranné okuliare, keď pracujete s rezným náradím
- Okuliare nie sú určené pre ochranu očí pri použití tohto náradia; bežná skla nie sú odolné proti nárazu a môžu sa roztrieštiť

## Chráňte svoj sluch

- Vždy noste vhodné chrániče sluchu, ak hluk náradie prevyší 85 dB

## Chráňte si dýchacie cesty

- Uistite sa, že vy aj okolostojaci, majú vhodné dýchacie masky

## Chráňte svoje ruky

- Nepribližujte ruky ku kotúčom či iným rezným nástrojom. Používajte vhodné pomôcky pre posúvanie materiálu, ak pracujete s kratšími kusmi

## Sledujte svoje okolie

- Je zodpovednosťou užívateľa náradia, aby okolostojace ľudia neboli vystavení nebezpečnému huku alebo prachu a aby mali vhodné osobné ochranné pomôcky

## Skryté objekty

- Materiál skontrolujte a odstráňte všetky klince a iné objekty pred začatím práce
- Nepokúšajte sa rezať materiál, ktorý obsahuje skryté objekty, ak si nie ste istí, že rezné náradie pripojené v nástroji túto prácu zvládne
- V stenách môžu byť elektrické rozvody a rúrky, kapoty môžu obsahovať rozvody paliva a pod. Vždy skontrolujte miesto, kde sa chystáte pracovať, predtým, než prácu začnete

## Dávajte pozor na odletujúci odpadový materiál

- V niektorých situáciách môže dôjsť k tomu, že odpadový materiál môže byť vymršťovaný smerom preč od náradia. Je zodpovednosťou užívateľa náradia, aby okolostojace ľudia boli chránení pred odletujúcim materiálom

## Upevnenie rezných nástrojov

- Uistite sa, že rezné nástroje sú správne a bezpečne prichytené k náradia. Skontrolujte, že ste odstránili kľúče pred použitím náradia
- Používajte iba rezné nástroje určené pre prácu s týmto náradím
- Rezné nástroje neupravujte

## Smer vstupu materiálu

- Materiál vždy podávajte proti smeru pohybu frézy alebo kotúče

## Dávajte pozor na teplotu nástrojov

- Pri používaní dochádza k zahriatiu rezných nástrojov. Nijako s nimi nemanipulujte, kým úplne nevychladnú

## Kontrola prachu/špon

- Nedovoľte, aby došlo k napečeniu prachu alebo špon. Prach sa môže vznietiť a niektoré kovové spony môžu vybuchnúť
- Pri rezaní dreva a kovu buďte zvlášť opatrní. Iskry, ktoré vznikajú pri rezaní kovu, sú bežnou príčinou vzniku požiaru drevitého prachu
- Kde je to možné, používajte systém pre odsávanie prachu, aby ste zaistili bezpečnejšie pracovné prostredie

## Popis dielov

- Výskovo a uhlovo prestaviteľný doraz
- Prierez
- Prídavná rukoväť
- Telo náradia
- Hlavná rukoväť
- Aretačná skrutka hĺbkového nastavenia
- Indikátor nuly
- Mierka hĺbky vrtania
- Aretačná skrutka uhlového nastavenia dorazu
- Stupnica uhla
- Vodiace zuby
- Vertikálny doraz
- Protišmykové podložky
- Šablóna s vodiacimi rýskami
- Šesťhranný kľúč
- Skrutka pre nastavenie výšky vrtania
- Aretačná skrutka výškového nastavenia vrtania
- Stupnica výšky
- Upinacia kľesťina kolíkovacieho vrtáka
- Spätná pružina
- Spínač
- Výfuk pilín

**Súčast'ou balenia je:** kolíkovací vrták 2 x 8 mm, šesťhranný kľúč a adaptér na výfuk pilín



# Odporúčané použitie

Preносné elektrické náradie, ktoré vytvára otvory pre kolíky pre vytváranie spojov v dreve.

## Pred použitím

### Nasadenie kolíkovacích vrtákov

**VAROVANIE:** Vrtácie nástavce sú veľmi ostré, pri manipulácii buďte opatrní a používajte ochranné rukavice.

1. Otáčajte jednou z upínacích klieštín kolíkovacieho vrtáka (19), kým nezískate prístup k sfahovacej skrutke (viď. obr. A)
2. Pre povolenie skrutky použite šesťhranný kľúč (15)
3. Držte kolíkovací vrták tak, aby ploškou v dierku smeroval k sfahovacej skrutke
4. Vsuňte stopku kolíkovacieho vrtáka čo najhlbšie do upínacej klieštiny a utiahnite uťahovacou skrutkou.
5. Skontrolujte bezpečné upevnenie vrtáka
6. Opakujte tento postup aj u druhého vrtáka

### Vynulovanie miery hĺbky vrtania

Po usadení vrtákov treba pre nastaviť mierku hĺbky vrtania (8) a indikátor nuly (7) tak, aby mierka ukazovala správne (viď. Obr. C).

1. Dostatočne povoľte aretačnú skrutku hĺbkového nastavenia (6) tak, aby sa hĺbková mierka mohla voľne pohybovať
  2. Použite kúsok dreva, ktorý umiestnite proti zvislému dorazu (12) a opatrne tlačte telo nástroja (4) dopredu, kým sa nezastaví. Tým sa zrovná špička vrtákov s úrovňou zvislého dorazu. Držte v tejto pozícii
- Poznámka:** V závislosti na použitých vrtákoch sa môže stať, že špička vrtákov už je v správnej pozícii alebo potrebuje len malú úpravu
3. Posuňte hĺbkovú mierku vrtania (8), ako najviac dozadu smerom od zvislého dorazu je to možné, a utiahnite aretačnú skrutku hĺbkového nastavenia (6). Pritom stále držte nástroj v pozícii z kroku 2
  4. Posuňte indikátor nuly (7) tak, aby ryska bola zarovnaná s nulou na hĺbkovej miere
  5. Vykonajte finálnu kontrolu, aby ste sa ubezpečili, že vrtáky sú v rovine so zvislým dorazom, pričom indikátor nuly je zároveň s nulou na hĺbkovom nastavení vrtania

**Poznámka:** Nemusíte prenasťavovať indikátor nuly, ak nevymieňate vrtáky.

### Pripojenie systému na odsávanie prachu

1. Natlačením nasuňte dodaný adaptér na výfuk pilín (22 a obr. B)
2. K adaptéru pripojte hadicu zo systému pre odsávanie prachu a uistite sa, že je správne prichytená

**Poznámka:** Pozíciu adaptéra si môžete upraviť, aby smerovala pod uhlom 180° smerom k obsluhu.

### Nastavenie uhlu dorazu

Výškovo a uhlovo prestaviteľný doraz (1) má 90° uhlový rozsah so značkami pre rýchle a jednoduché nastavenie v uhloch 22,5°, 45° a 67,5°.

Nastavenie uhla vyžaduje:

1. Povoľte aretačnú skrutku uhlového nastavenia dorazu (9)
2. Natočte doraz do požadovaného uhla na stupnici uhla (10), viď. obr. D
3. Pre zabezpečenie v požadovanom uhle utiahnite aretačnú skrutku uhlového nastavenia dorazu

**Poznámka:** Pred vrtaním skontrolujte bezpečné utiahnutie dorazu, neúplné dotiahnutie môže spôsobiť poškodenie opracovávaného materiálu alebo náradia

**Poznámka:** Stupnica uhla je len približná; použite iný nástroj pre zmeranie uhla, ak potrebujete presné nastavenie uhla

### Použitie priezoru

Tri rysky na priezoru (2) znázorňujú:

- Os každého z vrtákov
- Os medzi oboma vrtákmi

Použite tieto rysky pre presné zarovnanie kolíkovacej frézy so značkami, ktoré mále vyznačené na opracovávanom materiáli

**Poznámka:** Triton Kolíkovacia fréza vrtá diery s rozstupom presne 32 mm. To robí tento nástroj kompatibilný so „Systémom 32“ pre výrobu skriniek - ideálne pre vytváranie rozmiestnených radov dier v bokoch skriniek.

### Nastavenie hĺbky vrtania

Mierka hĺbky vrtania (8) umožňuje nastavenie hĺbky vrtania v rozsahu od 0 - 38 mm, viď. obr. F

- Kedykoľvek sú menené vrtáky, musíte vynulovať indikátor nuly (7) a mierku hĺbky vrtania (8), viď. "Vynulovanie miery hĺbky vrtania"
- Pre požadované nastavenie hĺbky použite stupnicu na mierke
- 1. Povoľte aretačnú skrutku hĺbkového nastavenia (6) tak, aby sa mierka mohla voľne pohybovať vpred i vzad
- 2. Umiestnite mierku tak, že požadovaná hĺbka (na stupnici) je zarovnaná s ryskou na indikátore nuly (7)
- 3. Utiahnite aretačnú skrutku hĺbkového nastavenia v požadovanej pozícii. Toto bude omeštrávaný pohyb tela frézy a následne hĺbku vrtania do maximálnej hodnoty, ktorú ste nastavili

### Nastavenie výšky vrtania

Vďaka výškovému nastaveniu vrtania pomocou ozubnice možné plynule nastavovať výšku vrtania od 9 mm do 43 mm (obr. G)

1. Povoľte aretačnú skrutku výškového nastavenia vrtania (17)
2. Pre zníženie alebo zvýšenie porcie dorazu (1) otáčajte skrutkou pre nastavenie výšky vrtania (16)
3. Zarovnajete čiernu šípku na mechanizme výškového nastavenia s požadovanou výškou na stupnici výšky (18)
4. Utiahnite aretačnú skrutku výškového nastavenia vrtania pre zaistenie dorazu (1) v nastavenej výške

## Pokyny pre použitie

**DÔLEŽITÉ:** Pri vrtaní vždy používajte obe ruky. Pre bezpečné držanie náradia pri práci držte jednou rukou telo náradia (4) s palcom položeným na spinači (21), druhou rukou držte prídavnú rukoväť (3)

### Vypnutie a zapnutie

- Pre spustenie náradia stlačte spinač (21)
- Ak náradie chcete vypnúť, spinač uvoľnite

**Poznámky:**

- Aby ste mohli frézu vrtáť diery do materiálu, je najskôr potrebné nastaviť kolíkovaciu frézu podľa pokynov na nastavenie frézy v časti "Pred použitím". Na materiály je potrebné ceruzkou vyznačiť, kde chcete vrtáť diery
  - Je dôležité, aby ste mali miesta, kde budete vrtáť, presne označené. Môže byť jednoduchšie k sebe voľne spojiť obe spájané časti presne tak, ako ich chcete mať spojené, a potom na oboch naraz vyznačiť, kde všade chcete vrtáť diery. Diery vyvrtajte. Potom opäť uvoľte zostavte a s osadenými prvými dvoma spojovacími kolíkmi kontrolujte presnosť označenia. Ideálne je ako prvý vyvrtat prostrednej diery do spájaných častíach
  - Pri spájaní kolíkovými spojmi je vždy len minimálna tolerancia, preto je dôležité presné zmeranie pozícií kolíkov. Kľúčové sú spoje na krajoch spájaných častí. Preto pokiaľ možno začínajte od stredu, kde pri chybe nie je problém vyvrtat opravne spojovacie diery
  - Materiál treba prichytiť svorkou k pracovnému stolu alebo aspoň medzi materiál a pracovný stôl vložte nejakú neklzávu gumovú podložku
1. Držte telo náradia jednou rukou tak, že váš palec spočíva na spinači (21)
  2. Zarovnajete vodidlo na priezoru (2) so značkami na materiáli a umiestnite kolíkovaciu frézu do vrtácej pozície
  3. Umiestnite náradie proti materiálu tak, že zvislý doraz (12) a spodná časť dorazu (1) sa plne dotýkajú materiálu (viď. obr. H)
  4. Druhú rukou tlačte na prednú časť dorazu (1); tým náradie držíte v presnej pozícii. Uistite sa, že medzi zvislým dorazom (12) a materiálom a pod dorazom (1) nie sú žiadne medzery. Posuňte ruku späť na rukoväť (3), aby ste náradie držali v bezpečnej pozícii

**Poznámka:** Pri vrtaní môže byť lepšie pre udržanie náradia v rovnej pozícii skôr tlačiť na doraz (1) (obr. H) než na prídavnú rukoväť (3)

**Poznámka:** Pri použití protišmykové gumové podložky je tiež vhodné tlačiť smerom nadol na materiál. Toto ale vykonávajte iba v prípade, že zvládnete náradie držať len jednou rukou. Pre maximálnu bezpečnosť je ideálne držať nástroj oboma rukami a vrtanú časť mať pevne prichytenú svorkami k pracovnému stolu

5. Jedným plynulým pohybom stlačte spinač (21) a zatlačte náradím dopredu, aby vrtáky vnikli do materiálu (viď. obr. I)
6. Zatlačte telo náradia, ako najviac dopredu to ide, kým nie je posuv vrtania zastavený mierkou hĺbky vrtania (8); tým vytvoríte otvory v požadovanej hĺbke
7. Náradie ponechajte zapnuté a rotujúce vrtáky vysuňte z vyvrtaných dier.

Náradie pri tom držte pevne oboma rukami. Akonáhle sú vrtáky vonku z dier, vypnite stroj uvoľnením spínača (12)

**POZNÁMKA:** Spätne pružiny (20) spôsobí, že sa fréza automaticky vráti do základnej polohy. Vrtáky vysúvajte pri stálom tlaku na doraz aj zvislý doraz. Pracovník by mal pozorne sledovať vychádzani vrtákov a najmä dávať pozor na to, aby sa náradie nikam nepohlo a zostalo v presnej pozícii vzhľadom k vyvrtaným otvorom

9. Akonáhle sú vrtáky úplne vonku a prestali rotovať, môžete náradie zložiť z materiálu

**Poznámka:** Odporúčame najprv si precvičiť prácu s kolíkovacou frézou na kúsku dreva pre pochopenie, ako fréza pracuje.

## Umiestnenie frézy

- Aby ste mohli vyvrtáť zodpovedajúce diery v čele spájaného kusu, náradie musí byť umiestnené kolmo k strane materiálu, do ktorej vrtáte
- Odporúčame pracovať s náradím smerujúcim dole - potom môžete využiť váhy náradia pri vrtaní, na rozdiel od vrtania smerom nahor
- Ak potrebujete vrtáť diery ďaleko od okraja, nastavte doraz (1) tak, aby bol v rovnej rovine ako zvislý doraz (12). Tým docielite toho, že sa fréza môže voľne pohybovať po materiáli (obr. K). Pred vrtaním sa uistite, že je náradie bezpečne a pevne umiestnené

## Použitie šablón a vodiacich pravítok

Kolíkovacia fréza je vybavená vodiacími zubami (11) a šablónou s vodiacími rýskami (14), ktoré umožňujú rýchle vrtanie dier pri použití šablón (nie je súčasťou balenia)

- Použitie takejto šablóny výrazne urýchli vrtanie presných dier pri výrobe nábytku. Vhodné použitie je tiež pri vrtaní dier v presnej rozteči pre policové systémy

1. Po dôkladnom meraní prichyťte zvierkami šablónu k vrtanej časti
2. Nastavte frézu tak, aby ste použili šablónu spoločne so šablónou s vodiacími rýskami (14) alebo vodiacími zubami (11)

**POZNÁMKA:** Uistite sa, že je správne nastavená hĺbka vrtania a uhol a výška dorazu

3. Vyvrtajte požadované diery tak, že vodiace zuby kolíkovacej frézy vložíte do šablóny alebo vodiaceho pravítka, a budete vrtáť ako obvykle

**POZNÁMKA:** Pri používaní šablóny alebo vodiaceho pravítka je vhodné nastaviť doraz (1) tak, aby bol v jednej rovine so zvislým dorazom (12) a dalo sa s frézou voľne pohybovať po ploche

**POZNÁMKA:** Aj napriek tomu, že je k dispozícii mnoho komerčných šablón a vodiacich pravítok, nie je zložiť si vyrobiť nejaké alternatívy

## Ostatné spoje

**POZNÁMKA:** Použitie tohto náradia je širšie ako iba funkcie, ktoré sú popísané v tomto návode. Návod slúži len pre zoznámenie s ovládaním a s funkciami tejto kolíkovacej frézy

## Príslušenstvo

Plný sortiment príslušenstva nájdete u vášho predajcu Triton. Náhradné diely si môžete objednať u predajcu Triton alebo na [tools.paresonline.com](http://tools.paresonline.com)

## Údržba

**VAROVANIE:** Predtým, než na náradie vykonávate úpravy alebo opravy, sa uistite, že je náradie odpojené z elektrickej siete.

- Pred každým použitím kontrolujte, či prívodný kábel nie je poškodený alebo nevykazuje známky opotrebenia. To isté sa týka aj predlžovacích káblov, ak je s náradím používané
- Ak je potrebné vymeniť prívodný kábel, musí to vykonať výrobca náradia alebo jeho predajca, aby ste predišli bezpečnostnému riziku

## Základná kontrola

- Pravidelne kontrolujte, že všetky skrutky sú pevne pritiažené. Pôsobením času a vibrácií sa môžu uvoľniť.

## Premazávanie

- Premazávajte všetky pohyblivé diely vhodným sprejom v pravidelných intervaloch

## Čistenie

**VAROVANIE:** VŽDY používajte ochranné okuliare, pokiaľ náradie čistíte

- Udržujte náradie vždy čisté. Špina a prach môžu spôsobiť, že dôjde k rýchlemu opotrebovaniu vnútorných častí a skráti sa tak životnosť náradia
- Telo náradia čistite pomocou jemnej kefy alebo suchej handričky
- Nikdy nepoužívajte leptavé látky pre očistenie plastových povrchov. Ak je suché čistenie nedostatočné, použite jemný saponát alebo vlhku handričku
- Náradie nikdy nesmie prísť do kontaktu s vodou
- Uistite sa, že náradie je dostatočne vysušené pred použitím
- Ak máte k dispozícii stlačený čistý, suchý vzduch, prefúkajte nim ventilačné otvory

## Uhlíky

- Po určitom čase môže dôjsť k opotrebovaniu uhlíkov vnútri motora
- Opatrovaný uhlík môže spôsobiť stratu výkonu, občasné zlyhanie alebo viditeľné iskrenie
- Pre výmenu uhlíkov odstráňte štyri skrutky, ktoré zaisťujú kryt hlavnej rukoväti (5). Obe strany opatrne odstráňte: uistite sa, že nedôjde k poškodeniu alebo vyťahnutiu káblov. Vyberte opotrebované uhlíky a nahraďte ich novými. Znovu nasadte kryt a zaisťte skrutkami. Príp. si nechajte vymeniť uhlíky v certifikovanom servisnom stredisku Triton

## Likvidácia

Elektronáradie, ktoré už nefunguje a nie je možné ho opraviť, zlikvidujte v súlade s legislatívou danej krajiny.

- Nevyhadzujte elektronáradie a elektroodpad do domového odpadu.
- V prípade otázok kontaktujte príslušný úrad.

## Záruka

Na registráciu záruky navštívte naše webové stránky [www.tritontools.com](http://www.tritontools.com)\* a zadajte informácie o výrobku. Vaše údaje budú uložené (pokiaľ túto možnosť nezakážete) a budú vám zasielané novinky. Vaše údaje nebudú poskytnuté žiadnej tretej strane.

## Záznam o nákupe

Dátum obstarania: \_\_\_ / \_\_\_ / \_\_\_

Model: TDJ600

Doklad o kúpe uschovajte ako potvrdenie o zakúpení výrobku.

## CE Prehlásenie o zhode

**Dolu podpísaný:** p. Darrell Morris

**splnomocnený:** Triton Tools

prehlasuje, že

**Výrobok číslo:** 186171

**Popis:** Kolíkovácia fréza

**Bol uvedený na trh v súlade so základnými požiadavkami a príslušnými ustanoveniami nasledujúcich smerníc:**

- Smernica o bezpečnosti strojných zariadení 2006/42/EC
- Smernica o technických požiadavkách na výrobky z hľadiska nízkeho napätia 2006/95/EC
- Smernica o technických požiadavkách na výrobky z hľadiska ich elektromagnetickej kompatibility 2014/108/EC
- Smernica RoHS 2011/65/EU
- EN60745-2-19:2005+A1:2010
- EN60745-1:2009+A11:2010
- EN55014-1:2009+A2:2011
- EN55014-2:1997+A2:2008
- EN61000-3-2:2014
- EN61000-3-3:2013 • EN62321:2009

Pokiaľ sa behom 3-ročnej odo dňa nákupu objaví porucha výrobku spoločnosti Triton Precision Power Tools, ktorá bola spôsobená chybou materiálu alebo chybným spracovaním, Triton opraví alebo vymení chybný diel zdarma.

Tato záruka sa nevzťahuje na výrobky, ktoré budú používané na komerčné účely, a ďalej na poškodenie, ktoré je spôsobené neodborným použitím alebo mechanickým poškodením výrobku.

\* Registrujte sa behom 30 dní od nákupu. Zmena podmienok vyhradená. Týmito podmienkami nie sú dotknuté vaše zákonné práva.es

**Notifikovaná osoba:** TÜV SÜD Product Service

**Technická dokumentácia je uložená u:** Triton Tools

**Dátum:** 05/05/15

**Podpis:**



Mr Darrell Morris

Výkonný riaditeľ

**Meno a adresa výrobcu:**

Powerbox International Limited, Company No. 06897059. Registrovaná

adresa: Powerbox, Boundary Way, Lufton Trading Estate, Yeovil, Somerset

BA22 8HZ, United Kingdom.

# Orijinal talimatların çevirisi

## Giriş

Bu TRITON el aletini satın aldığınızı için teşekkür ederiz. Bu el kitabında bu ürünün güvenli ve yararlı şekilde kullanmak için gereken bilgiler bulunmaktadır. Bu ürünün kendine özgü özellikleri vardır ve benzer ürünleri yakından tanıyıp olmanız bile talimatları tamamen anlayabilmeniz için bu el kitabını dikkatle okumanız gerekir. Bu el aletini kullanan herkesin bu el kitabını okuyup iyice öğrenmesini sağlarız.

## Sembollerin açıklaması

El aletinizdeki künýede semboller bulunabilir. Bunlarda ürün hakkındaki önemli bilgileri veya kullanımı ile ilgili talimatları temsil eder.



Kulak koruyucu kullanın  
Göz koruyucu kullanın  
Solunum koruyucu kullanın  
Kafa koruyucu kullanın



El koruyucu kullanın



Talimat el kitabını okuyun



Uyarı: Keskin bıçaklar veya dişler



Yağmurda veya nemli ortamlarda KULLANMAYIN!



Ayar yaparken, aksesuar değiřtirirken, temizlerken, bakım yaparken veya kullanımda olmadıęı zaman daima güç kaynağından ayırın!



**DİKKAT:** Hareketli kısımlar ezilmeye ve kesik yaralarına yol açabilir



Dikkat!



Sınıf II yapıda (ilave koruma için çift yalıtımlı)



### Çevre Koruması

Atık elektrikli ürünler evsel atıklar ile birlikte atılmamalıdır. Tesis bulunan yerlerde geri dönüřtürün. Geri dönüřtürme tavsiyesi almak için yerel makamlar veya satıcı ile görüřün.



İlgili mevzuata ve güvenlik standartlarına uygundur.

## Teknik Kısaltmaların Açıklaması

V	Volt
~, AC	Alternatif Akım
A, mA	Amper, milli-Amp
n <sub>0</sub>	Yüksüz hız
n	Nominal Hız
A <sub>b</sub>	Amper saat (batarya kapasitesi)
°	Derece
Ø	Çap
Hz	Hertz
---, DC	Doęru akım
W, kW	Wat, kilowat
/min or min <sup>-1</sup>	Dakikada işlem sayısı
λ	Dalga boyu
dB(A)	Desibel ses düzeyi (A ağırlıklı)
m/s <sup>2</sup>	Metre bölü saniye kare (titreşimin büyüklüğü)

## Spesifikasyon

Model no:	TDJ600
Voltaj:	220 - 240V~ 50/60Hz
Giriş Gücü:	710W
Yüksüz hız:	17.000 dak <sup>-1</sup>
Matkap uç aralığı:	32 mm
Delme derinliği:	0 - 38 mm
<b>Delme çapı:</b>	Ø6-10 mm
Perde açısı aralığı:	0 - 90°
Yükseklik Ayarı:	9 - 43 mm
Koruma Sınıfı:	□
Elektrik kablosu boyu:	3 m
Boyutlar (U x G x Y):	470 x 155 x 220 mm
Ağırlık:	2,8 kg

Ürünlerimizi sürekli geliřtirdiğimiz için Triton ürünlerinin spesifikasyonları haber verilmeden değiřtirilebilir.

### Ses ve titreşim bilgileri:

Ses basıncı LPA:	88,4 dB(A)
Ses gücü LWA:	99,4 dB(A)
Belirsizlik K:	3 dB
Ağırlıklı titreşim:	2,584 m/s <sup>2</sup>
Belirsizlik:	1,5 m/s <sup>2</sup>

Operatör için ses şiddeti 85 dB(A) deęerini aşabilir ve ses koruma önlemleri gereklidir.

**UYARI:** Ses düzeyinin 85dB(A) değerini geçtiği yerlerde daima kulak koruyucu kullanın ve gerekirse maruz kalma süresini sınırlandırın. Kulak koruması kullandığınız zaman bile ses düzeyleri rahatsız edici ise el aletini kullanmayı hemen bırakın ve kulak korumasının doğru takılıp takılmadığını ve el aletinin ürettiği ses düzeyi için doğru miktarda ses zayıflatması sağlayıp sağlamadığını kontrol edin.

**UYARI:** Kullanıcının el aletinin titreşimine maruz kalması dokunma duyusunun kaybolmasına, uyuşmaya, karıncalanmaya ve tutma yeteneğinin azalmasına yol açabilir. Uzun süre maruz kalınması kronik bir duruma yol açabilir. Gerektiği takdirde, titreşime maruz kalma süresini sınırlandırın ve titreşim önleyici eldiven kullanın. Titreşim tarafından daha çok etkileneneceği işlerinin sıcaklığı normal rahat bir sıcaklığın altında olduğu zaman el aleti kullanmayın. Spesifikasyonda titreşim ile ilgili olarak verilmiş değerleri kullanarak el aletinin çalıştırma süresini ve sıklığını hesaplayın.

Spesifikasyondaki ses ve titreşim düzeyleri EN60745 veya benzer uluslararası standartlara göre belirlenmiştir. Verilen değerler el aletinin normal çalışma koşullarında normal kullanımını temsil etmektedir. İyi bakım yapılmayın, yanlış monte edilmiş veya kötü kullanılan bir el aleti yüksek seviyelerde gürültü ve titreşim üretebilir. [www.osha.europa.eu](http://www.osha.europa.eu) adresinde, konuların içinde uzun süreler boyunca el aletleri kullanılan kişiler için yararlı olabilecek, iş yerindeki ses ve titreşim seviyeleri hakkında bilgi bulunmaktadır.

## Genel Güvenlik

**UYARI:** Tüm güvenlik uyarılarını ve tüm talimatları okuyun. Uyarıları ve talimatları uygulamaması elektrik çarpmasına, yangına ve/veya ağır yaralanmaya yol açabilir.

**UYARI:** Fiziksel veya akılsal yetenek eksikliği bulunan (çocuklar dâhil) veya yeterli deneyimi ve bilgisi olmayan kişiler, kendilerinin güvenliğinden sorumlu bir kişi tarafından cihazın kullanımını için gözetim ve bilgi sağlanmadığı sürece bu cihazı kullanmamalıdır. Çocukların bu cihaz ile oynamasına dikkat edilmelidir.

Tüm uyarıları ve talimatları ileride kullanabilmek için saklayınız.

Uyarılarda "elektrikli el aleti" terimi elektrik şebekesinden çalışan (kablolu) elektrikli el aleti veya batarya ile çalışan (kablesiz) elektrikli el aleti anlamına gelmektedir.

### 1) Çalışma alanının güvenliği

- Çalışma alanını temiz ve iyice aydınlatılmış halde tutun.** *Dağınık veya karantlık yerler kazaları davet eder.*
- El aletlerinin yanıcı sıvılar, gazlar veya toz içeren ortamları iyi patlayıcı atmosferlerde çalıştırmayın.** *Elektrikli el aletleri tozu ve dumanları tutuşturabilecek kıvılcımlar çıkarır.*
- Elektrikli aletleri çalışırken çocukları ve izleyicileri uzakta tutun.** *Dikkati dağıtan kontrolü kaybetmenize neden olabilir.*

### 2) Elektrik güvenliği

- Elektrikli el aletlerinin fişleri prize uygun olmalıdır. Fişi asla hiçbir şekilde değiştikçe uğratmayın. Topraklanmış (topraklı) elektrikli el aletleri ile hiçbir adaptör fiş kullanmayın. Değişikliğe uğratılmamış fişler ve fişe uygun prizler elektrik çarpması riskini azaltır.**
- Borular, radyatörler, fırınlar ve buzdolapları gibi topraklanmış veya topraklı yüzeylere vücut ile temas etmekten kaçının.** *Vücutunuz topraklandığı zaman elektrik çarpması riski artar.*
- Elektrikli el aletlerini yağmura veya ıslak koşullara açık bırakmayın.** *Elektrikli el aletine su girmesi elektrik çarpması riskini artırır.*
- Kabloyu yanlış şekilde kullanmayın. Elektrikli el aletini taşımak, fişi takmak veya çıkarmak için asla kabloyu kullanmayın. Kabloyu ısı, yağ, keskin kenarlar veya hareketli parçalarından uzak tutun. Hasar gören veya düğümlenen kablolar elektrik çarpması riskini artırır.**
- Elektrikli bir el aletini dış mekânda kullanırken dış mekânda kullanmaya uygun bir uzatma kablosu kullanın. Dış mekânda kullanıma uygun bir kablo kullanmak elektrik çarpması riskini azaltır.**
- Elektrikli bir el aletini nemli bir yerde kullanmak zorunlu ise bir kaçak akım cihazı (RCD) ile korunan bir kaynak kullanın. RCD kullanmak elektrik çarpması riskini azaltır.**

**g) Avustralya'da veya Yeni Zelanda'da kullanıldığı zaman bu el aletine DAİMA 30 mA veya daha az nominal kaçak akım değerine sahip bir Kaçak Akım Cihazı (RCD) takılması tavsiye edilir.**

### 3) Kişisel güvenlik

- Elektrikli aletleri çalıştırırken tetikte olun, yaptığınız şeye dikkat edin ve sağduyunuza kulak verin. Yorgun veya ilaçların, alkolün veya bir tedavinin etkisinde olduğunuz zaman elektrikli alet kullanmayın.** *Elektrikli alet kullanırken bir anlık dikkatsizlik ağır yaralanmaya yol açabilir.*
- Elektrik koruyucu donanım kullanın. Daima göz koruyucu giyün. Gerekli koşullar için kullanılan toz maskesi, kaymaz güvenlik pabucu, baret veya işitme koruyucu gibi koruyucu donanım yararlanmaları azaltır.**

- El aletinin istenmeden çalıştırılmasını önleyin. Güç kaynağına ve/veya bataryaya grubuna bağlanmadan önce veya el aletini toplamı taşımadan önce düğmenin kapalı olduğunu kontrol edin.** *Elektrikli el aletlerini parmağınız düğmenin üzerinde olacak şekilde taşımak veya anahtar üzerinde iken elektrikli el aletlerine enerji vermek kazaları davet eder.*
- Elektrikli el aletini çalıştırmadan önce tüm ayarlamaları anahtarlarını veya kollarını çıkarın.** *El aletinin dönen bir kısmına takılı olarak bırakılan bir anahtar veya kol yaralanmaya neden olabilir.*
- Çok fazla ıleriye uzatmayın. Desteginizi ve dengeni daima uygun şekilde koruyun. Bu, beklenmeyen durumlarda aletini daha iyi kontrol edilmesini sağlar.**
- Uygun giysi giyin. Gevşek giysiler veya takı kullanmayın. Saçınızı, giysinizi ve eldivenlerinizi hareketli parçalarından uzak tutun. Hareketli parçalar, gevşek giysiler, takıları veya uzun saç yakalayabilir.**
- Toz uzaklaştırma ve toplama olanaklarına bağlantı yapmak için cihazlar verilmiş ise bunları bağlayıp güç kaynağından kesilmeden kullanmaya dikkat edin. Toz toplama olanaklarının kullanılmasına toz ile ilişkili tehlikeleri azaltabilir.**
- Elektrikli el aletinin kullanımı ve bakımı**
  - Elektrikli el aletini zorlamayın. İşiniz için doğru elektrikli el aletini kullanın. Doğru elektrikli el aleti bir işi daha iyi ve daha güvenli şekilde ve gerçekleştirilmek için tasarlandığı hızda yapar.**
  - Düğme elektrikli el aletini açtı kapatıyorsa aletini kullanmayın. Düğme ile kontrol edilemeyen bir elektrikli el aleti tehlikelidir ve tamir edilmelidir.**
  - Elektrikli el aletlerinde ayar yapmadan, aksesuarları değiştirmeden veya saklamadan önce aletini fişini güç kaynağından ve/veya bataryaya grubundan çekin. Bu gibi önleyici güvenlik önlemleri elektrikli el aletinin kazara çalıştırılması riskini azaltır.**
  - Kullanılmayan elektrikli el aletlerini çocukların ulaşamayacağı bir yerde saklayın ve elektrikli el aletini veya bu talimatları iyice bilmeyen kişilerin aletini kullanmasına izin vermeyin. Elektrikli el aletleri eğitim almamış kullanıcıların elinde tehlikeli olur.**
  - Elektrikli el aletlerine bakım yapın. Hareketli kısımlarda hız kaçıklığı veya sıkışma, parçalarda kırılma ve el aletinin çalışmasını etkileyecek başka bir durum olup olmadığını kontrol edin. El aleti hasar görmüş ise kullanılmadan önce tamir ettirin. Kazaların birçoğuna iyi bakım yapılmayın el aletleri neden olmaktadır.**
  - Kesici aletleri keskin ve temiz bulundurun. Kesici kenarları keskin olan iyi bakım gören kesici aletlerin sıkışma olasılığı daha azdır ve daha kolay kontrol edilir.**
  - El aletini, aksesuarlarını ve alet uçlarını vb., çalışma koşullarını ve yapılacak işi dikkate alarak bu talimatlarla göre kullanın. El aletinin amaçlanan işlemler dışındaki işler için kullanılması tehlikeli durumlara yol açabilir.**
- Servis**
  - El aletinize yalnızca tamamen aynı yedek parçalar kullanılarak ehliyetli bir tamirci tarafından servis yapılmasını sağlayın. Bu, el aletinin güvenliğinin sürdürülmesini sağlar.**

## Kavilyalı ve Bisküvi Kavilyalı Birleştirici Güvenliği



- Kavilya kesme uçları ve bisküvi birleştirici bıçakları en az olarak el aletinin üzerinde tavsiye edilen hız için uygun olmalıdır. Nominal hızlarının üzerinde çalışan kesme uçları ve bıçaklar parçalanıp fırlayarak yaralanmaya yol açabilir.**
- El aletinin üzerinde bulunan muhafazayı ve diğer güvenlik cihazlarını daima kullanın. Bunlar operatörü kırılan kesme ucu veya bıçak parçalarından ve kazara keskin kenarlara veya dişlere dokunmaktan korur.**
- Taşlama karkı kendi kablosuna temas edebileceği için elektrikli el aletini yalnızca tutma yüzeylerinden tutun. Elektrik bulunan bir telin kesilmesi elektrikli el aletinin açtıkları parçalarını elektrikli duruma getirebilir ve operatörü elektrik çarparabilir.**
- 18 yaş altındaki hiç kimsenin bu el aletini kullanmasına izin vermeyin. Operatörlerin bu kullanan ve güvenlik talimatlarını bilmesinde dikkat edin.**
- Elektrik kablosunun değiştirilmesi gerektiği takdirde bir güvenlik tehlikesi olmaması için bu işin üretici veya temsilcisi tarafından yapılması gerekir.**
- Elektrikli el aletinin daima 30 mA veya daha düşük nominal artuk akımlı bir artuk akım cihazı ile kullanılması önemle tavsiye edilir.**

**UYARI:** Kôr veya hasarlı uçları kullanmayın.

**UYARI:** Kullanmadan önce muhafaza geri çekme sisteminin doğru çalıştığını kontrol edin.



**Uygun solunum koruması kullanın:** *Bu el aletinin kullanılması kansere, doğum kusurlarına veya diğer üreme sorunlarına yol açtığı bilinen kimyasal maddeler içeren tozlar üretebilir. Bazı aışaplar zehirli olabilecek bakır krom arsenat (CCA) gibi koruyucular içerir. Bu malzemeleri zımparalarken, delerken veya keserken solunamak ve cilt ile temas en aza indirmek için daha fazla dikkat edilmelidir.*

- a) Bu el aleti ile kullanılan uzatma kablosu makaraları tamamen açılmalıdır. Minimum iletken kesiti: 1,0 mm<sup>2</sup>
- b) Bu el aletini dış mekânda kullanırken RCD cihazı bulunan bir güç kaynağına bağlayın ve suya karşı korumalı fişleri bulunan iyi durumda minimum 1,5 mm<sup>2</sup> uzatma kablosu kullanın
- c) Kesme ucunun veya bıçağın kullanmaya başlamadan önce sağlam şekilde takılmış olmasına dikkat edin. Sağlam şekilde takılmıř olmayan kesme uçları veya bıçaklar makineden fırlatılabilir tehlikeye yol açabilir
- d) El aletini elinizden bırakmadan önce daima tamamen durmasını bekleyin
- e) El aletini kullanırken güvenlik gözlüğü veya siperi, kulak koruyucular ve güvenli eldiven dâhil koruyucu giysi dâhil olmak üzere güvenlik ekipmanı kullanın. Delme işlemi toz çıkarıldığı takdirde toz maskesi takın
- f) Aydınlatmanın yeterli olmasına dikkat edin
- g) El aletini çalıştırmaya başlamadan önce kesme ucunun veya bıçağın iş parçası ile temas halinde olmamasına dikkat edin
- h) Bu el aletini çalıştırırken her iki eli de kullanın
- i) Bazı işler için talimatlarda açıkça bir istisna belirtilmediği sürece el aleti ile termin edilen yardımcı sapları daima taktın
- j) El aletine basınç uygulamayın; böyle yapmak onun hizmet ömrünü kısaltır
- k) Kesme uçları veya bıçaklar çalışma sırasında ısınır. Bunları tutmadan önce soğumalarını bekleyin
- l) Kesme ucunun veya bıçağın yakınındaki testere talaşını, yongaları veya çözümleri temizlemek için asla ellerinizi kullanmayın
- m) El aletini kullanırken birisi seslendiği takdirde bakmadan önce işlemi tamamlayın ve el aletini kapatın
- n) Olanaklı olan yerlerde kelepçe veya mengene kullanarak iş parçasını sabitleyin
- o) Uç değiştirmeden önce el aletini daima elektrik beslemesinden ayırın
- p) Kesme ucunda veya bıçakta aşınma veya hasar belirtisi olup olmadığını düzenli şekilde muayene edin. Hasarlı parçaları ehliyetli bir servis merkezine tamir ettirin
- q) İşinizi tamamladığınız zaman el aletini güç kaynağından ayırın
- r) Tüm somunları, civataları ve diğer sabitleme parçalarını periyodik şekilde kontrol edin ve gerektiği zaman sıkın

## Kesme takımı güvenliği

**UYARI.** Bir el aletini bir güç kaynağına (şalter bulunan elektrik şebekesi prize, priz, vb.) bağlamadan önce voltaj beslemesinin el aleti künyesinde belirtilen ile aynı olduğunu kontrol edin. El aleti için belirtilenden daha yüksek bir voltaja sahip bir güç kaynağı kullanıcının ağır yaralanmasına ve el aletinin zarar görmesine neden olabilir. Kuşku duyduğunuz takdirde el aletinin fişini takmayın. Künyedeki değerden düşük bir güç kaynağı ile kullanmak motor için zararlıdır.

### Doğru kesme takımını kullanın

- Kesme takımının iş için uygun olmasına dikkat edin. Kullanmadan önce ürün belgelerine bakmadan bir kesme takımının uygun olduğunu farz etmeyin

### Gözlerinizi koruyun

- Kesme takımlarını kullanırken daima uygun göz koruyucu giyin
- Normal gözlükler bu ürünü kullanırken herhangi bir koruma sağlayacak şekilde tasarlanmamıştır; normal mercekler darbeye dayanıklı değildir ve kırılabilir

### İşitme koruyucu kullanın

- El aletinin gürültüsü 85 dB<sup>1</sup> geçtiği takdirde daima uygun işitme koruyucu kullanın

### Solunma koruyucu kullanın

- Kendinizin ve çevrenizdeki diğer kişilerin uygun toz maskesi kullanımına dikkat edin

### Ellerini koruyun

- Ellerinizi kesme çarkının veya bıçakların yakınına getirmeyin. İlgili elektrikli el aletlerinde kısa iş parçaları için uygun itme çubukları kullanın

### Çevrenizdeki diğer kişilerin farkında olun

- Çalışma alanının yakınındaki diğer kişilerin tehlikeli gürültüye veya toza maruz kalmamasını ve ayrıca kendilerine uygun koruyucu ekipman verilmesini sağlamak kullanıcının sorumluluğudur

### Gizli nesnelere

- İş parçasını muayene edin ve kesme işleminden önce tüm çivileri ve diğer gömülü nesnelere bakın
- Makinenize takılmış olan kesme takımının yapılacak iş için uygun olduğunu bilmediğiniz sürece gömülü nesnelere bulunan malzemeleri kesmeye çalışmayın
- Duvarlarda gömme kablo ve boru tesisatı bulunabilir, otomobil karoserlerinde yakıt hatları gizlenmiş olabilir ve uzun otlat taşıları ve camları gizleyebilir. Devam etmeden önce çalışma alanını daima iyice kontrol edin

### Fırlayan atıklara dikkat edin

- Bazı durumlarda kesme takımından yüksek hızla atık malzeme fırlatılabilir. Çalışma alanındaki diğer kişilerin fırlayabilecek atıklardan korunmasını sağlamak kullanıcının sorumluluğudur

### Kesme takımlarının takılması

- Kesme takımlarının doğru ve sağlam şekilde takılmasına dikkat edin kullanmadan önce anahtarların / ayar takımlarının çıkarıldığını kontrol edin
- Yalnızca makineniz için tavsiye edilen kesme takımları kullanın
- Kesme takımlarında tadilat yapmaya çalışmayın

### Besleme yönü

- İş parçasını bıçağa veya kesme takımına daima bıçağın veya kesme takımının kesme yönünün ters yönünde besleyin

### İsya dikkat edin

- Kesme takımları ve iş parçaları kullanırken ısınabilir. Takımları tamamen soğumaya bırakmadan bunları değiştirmeye çalışmayın

### Tozu / metal talaşını kontrol edin

- Toz veya metal talaşı birikmesine meydan vermeyin. Testere talaşı bir yangın tehlikesidir ve bazı metal talaşları patlayıcıdır
- Aışap ve metal keserken özellikle dikkatli olun. Metal kesilirken çıkan kıvılcıklar aışap tozu yangınlarının sık görülen bir nedenidir
- Olanaklı olduğu zaman bir toz emme sistemi kullanılarak daha güvenli bir iş ortamı sağlanır

# Ürünün Tanıtılması

1. Perde
2. Vizör
3. Yardımcı Sap
4. El Aleti Gövdesi
5. Esas Sap
6. Derinlik Mastarı Kilit Topuzu
7. Sıfır Göstergesi
8. Derinlik Mastarı
9. Perde Açısı Kilit Topuzu
10. Açık Kılavuzu
11. Kalıp Dişleri
12. Ön Yüz
13. Kaymaz takozlar
14. Kalıp Dişi Çubuğu
15. Altıgen Anahtar
16. Perde Yüksekliği Ayar Topuzu
17. Perde Yüksekliği Kilit Topuzu
18. Yükseklik Ölçeği
19. Matkap Ucu Tutucu
20. Geri Dönüş Yayı
21. Açma/Kapatma Tetik Düğmesi
22. Toz Deliği

**Temin edilen aksesuarlar:** 2 x 8 mm çapında matkap ucu, altıgen anahtar ve toz adaptörü

## Kullanma Amacı

Ahşapta birleştirme yapmak için düzgün aralıklı ile kavilya delikleri açan şebeke elektrikli ile çalışan portatif elektrikli el aleti.

## Kullanmada Önce

### Matkap uçlarının takılması

**UYARI:** Matkap Uçları çok keskindir; daima eldiven giyin ve dikkatle tutun.

1. Matkap Ucu Tutucularında (19) birisini sabitleme vidasına erişinceye kadar döndürün (Görüntü A)
2. Tedarik edilmiş olan Altıgen Anahtar (15) kullanarak vidayı gevşetin
3. Matkap ucu sapının yassı kısmı sabitleme vidasının hizasına gelecek şekilde matkap ucunu tutun.
4. Matkap ucu sapını tutucuya girebildiği kadar sokun ve sabitleme vidasını sıkarak yerine sabitleyin
5. Matkap ucunun iyice sabitlendiğini kontrol edin
6. Bu yöntemi diğer uç için tekrarlayın

### Derinlik mastarının sıfırlanması

Matkap uçlarını taktıktan sonra mastarın doğru okuyabilmesi için Derinlik Mastarının (8) ve Sıfır Göstergesinin (7) sıfırlanması gerekir (Şekil C)

1. Derinlik Mastarının serbestçe hareket edebileceği şekilde Derinlik Mastarı Kilit Topuzunu (6) gevşetin
2. Ön Yüze (12) bir parça hurda ahşap yaslayın ve El Aleti Gövdesinin (4) duruncaya kadar dikkatle ileriye itin. Böylece matkap uçlarının delici noktası Ön Yüzün yüzüyle aynı hizaya gelmelidir. Bu pozisyonda tutun
- Not:** Kullanılan matkap uçlarına bağlı olarak Ön Yüz ile aynı hizada olmaya zaten çok yakın bulunabilir ve matkap uçlarının Ön Yüz ile aynı hizada olması için çok az bir ayar gerektirebilir veya hiç gerektirmeyebilir
3. Derinlik Mastarını (8) Ön Yüzden olanaklı olduğunca geriye uzaklaştırın ve sonra, hala Adım 2'deki pozisyonda tutarak Derinlik Mastarı Kilit Topuzunu tekrar sıkın
4. İbre Derinlik Mastarındaki '0' ile aynı hizaya gelinceye kadar Sıfır Göstergesinin (7) hafifçe gevşetin ve döndürün, ardından tekrar sıkın.
5. Sıfır Göstergesi derinlik mastarındaki '0' ile aynı hizada iken son bir kontrol yaparak matkap uçlarının Ön Yüz ile aynı hizada olup olmadığına bakın.

**Not:** Matkap uçlarını değiştirdiğinizde Sıfır Göstergesinin yerini tekrar ayarlamamız gerekmektedir

## Bir toz emiş sisteminin bağlanması

1. Tedarik edilmiş olan toz adaptörünü Toz Deligi'ne iterek takın (22 ve Şekil B)
2. Toz emiş sisteminden gelen hortumu toz adaptörüne takın ve sağlam takıldığını kontrol edin.

**Not:** Adaptör operatöre doğru 180°'lik yay ile herhangi bir emiş pozisyonuna ayarlanabilir.

## Perde açısının ayarlanması

Perde (1) 90°'lik bir harekete sahiptir ve hızlı ve kolayca ayar yapmak için 22,5°, 45° ve 67,5° açılarda girinti yerleri bulunur.

## İstenen açıyı ayarlamak için:

1. Perde Açısı Kilit Topuzunu (9) gevşetin.
2. Perdeyi Açık Kılavuzunda (10) istenen açı ayarına döndürün, bakınız: Şekil D
3. Perde Açısı Kilit Topuzunu sıkarak Perdeyi yerine sabitleyin

**Not:** Delik delmeden önce Perdenin yerine sağlam şekilde kilitlendiği kontrol edin; bu yapılmadığı takdirde, çalışırken perdenin hareket etmesi durumunda iş parçası veya makine zarar görebilir.

**Not:** Açık Kılavuzu yalnızca yaklaşıktır; perde açısını kontrol etmek için gerekirse ilave açılı ölçme aletleri kullanın

## Vizörün kullanılması

- Vizördeki (2) üç çizgi şunu gösterir:
  - Her matkap ucunun ekseni,
  - İki matkap ucu arasındaki ekseni.
- Bu işaretleri kullanarak matkabı iş parçası üzerindeki yerleştirme işaretleri ile hassas şekilde hizalayın (Şekil G)

**NOT:** Triton Çiftli Kavilyalı Birleştirici tam 32 mm aralıklı delikler açar ve böylece bu el alet 'Sistem 32' kabin yapımı ile uyumlu duruma gelir – yani kabin duvarlarında çok düzgün şekilde yerleştirilmiş delik sıraları oluşturmak için idealdir.

## Delme derinliğinin ayarlanması

- Derinlik Mastarı (8) 0 - 38 mm (Şekil F) ölçüsünde delme derinliği ayarlamamızı sağlar
  - Matkap uçları değiştirildiği veya yeni uçlar takıldığı zaman Sıfır Göstergesinin (7) ve Derinlik Mastarının (8) sıfırlanması gerekir. Bilgi almak için 'Derinlik mastarının sıfırlanması' bölümüne bakınız.
  - Gerekli derinliği ayarlamak için kılavuzdaki ölçeği kullanın
1. Depth Mastarı geri ve ileri kayabilececek şekilde Derinlik Mastarı Kilit Topuzunu (6) gevşetin
  2. Derinlik Mastarını gerekli derinlik (ölçüğe üzerinde) Sıfır Göstergesi (7) üzerindeki ibre ile hizalanacak şekilde yerleştirin
  3. Derinlik Mastarı Kilit Topuzunu sıkarak derinlik ayar mastarını istenen pozisyonda sabitleyin. Böylece el aleti gövdesinin hareketi ve dolayısı ile delme derinliği ayarlamış olduğunuz maksimum değer ile sınırlandırılmış olur

## Delme yüksekliğinin ayarlanması

Kremayer perde yüksekliği ayar mekanizması sayesinde delme yüksekliği 9 mm ile 43 mm (Şekil G) arasında ayarlanabilir

1. Perde Yüksekliği Kilit Topuzunu (17) gevşetin
2. Perde Yüksekliği Ayar Topuzunu (16) döndürerek Perdeyi yükseltip alçaltın
3. Yüksekliği ayar mekanizmasındaki siyak ok işaretini Yükseklik Ölçeğinde (18) gerekli yükseklik ile hizalayın
4. Perde Yüksekliği Kilit Topuzunu sıkarak Perdeyi (1) ayarlanmış yükseklikte sabitleyin

## Kullanılması

**ÖNEMLİDİR:** Delerken her iki elinizi de kullanın. El aletini sağlam şekilde tutmak için parmaklarınızdan birisi rahat bir şekilde Açma/Kapatma Tetik Düğmesi (21) üzerinde bulunacak şekilde El Aletinin Gövdesinin (4) bir eliniz ile tutarken diğer elinizle de Yardımcı Sapı (3) tutun.

## Açılması ve Kapatılması

- Kavilyalı birleştiriciyi çalıştırmak için Açma/Kapatma Tetik Düğmesinin (21) sıkın
- Kapatmak için Açma/Kapatma Tetik Düğmesinin (21) bırakın

## Notlar:

- İş parçasına gereken delikleri delmek için önce kaviyalı birleştiriciyi 'Kullanmadan Önce' talimatlarına göre düzenleyin ve iş parçalarını gerekli delme noktalarında kurşun kalem ile işaretleyerek hazırlayın
- İş parçalarının hassas şekilde işaretlenmesi önemlidir. İki parçayı tam istenen pozisyonda gevşek şekilde birleştirerek her iki parça üzerinden işaret koymak ve sonra delikleri delmek daha kolay olabilir. Sonraki kaviyalıların gerektiği yerleri tekrar işaretledikten önce ilk 2 kaviyalı takılmış olarak tekrar gevşek şekilde monte edin. İdeal durumda, ilk kaviyalı delikleri için ahsap ortasındaki bir yer tercih edilmelidir.
- Ahsabı kaviyalı ile birleştirirken çok az tolerans kalır. Bu nedenle hassas ölçme yapmak daima önemlidir. En kritik delikler normal olarak iş parçasının kenarlarındaki deliklerdir. Bu nedenle, herhangi bir yerleştirme hatasının, gerektiği zaman ilave kaviyalı deliği eklenebilecek olan ort bölgelerde yer alması ne uygun durum olur
- İş parçası ile çalışma tezgâhi yüzeyi arasına kaymaz bir altlık yerleştirilmesi bazı durumlarda yeterli gelecek olmasına rağmen iş parçasının çalışma tezgâhına menegene ile tutturulması gerekecektir

1. Parmaklarınızdan birisi Açma/Kapatma Tetik Düğmesi (21) üzerinde bulunacak şekilde el aletinın gövdesini bir eliniz ile tutun
2. Vızördeki (2) kılavuzları iş parçasındaki kurşun kalem işaretleri ile hizalayın ve kaviyalı birleştiriciyi delikleri delmeye hazır şekilde yerleştirin (Şekil H)
3. Makinenin Ön Yüzü (12) ve Perdenin (1) alt tarafı iş parçasına tamamen temas edecek şekilde makineyi iş parçasına yaslayın
4. Makineyi yerinde tutmak için diğer elinizin parmakları ile Perdenin ön tarafını aşağıya bastırın ve Ön Yüzün altında ve Perdenin alt tarafında boşluk kalmadığını kontrol edin. El aletinin sağlam şekilde tutmak için elinizi tekrar Sapa(3) götürün

**Not:** El aletinin ahsabın içinde aynı pozisyondaki kalmasını sağlamak amacı ile el aletini sabit tutmak için Yardımcı Sapı (3) tutmak yerine Perdeye (1) basıncı uygulayarak gerekebilir (Şekil H).

**Not:** İş parçasının sabitlemek için kaymaz altlık kullanmanız durumunda da, iş parçası üzerinde aşağıya doğru daha büyük bir baskı gerektirdiği için, basıncı uygulamanız gerekebilir. Bunu yalnızca, el aletini yalnız tek el ile ana gövdeden rahatça tutabildiğiniz takdirde yapın. İdeal durumda, maksimum güvenlik için iş parçası çalışma yüzüne sağlam şekilde sabitlenmiş olarak, çalışma sırasında el aletini tutmak için her iki el kullanılmaldır.

5. Bir tek düzgün hareket ile Açma/Kapatma Tetik Düğmesine (21) basın ve matkap uçları iş parçasına girecek şekilde makinenin gövdesini ileriye itin (Şekil I)
6. Doğru pozisyonlarda istenen delikleri açmak için makinenin gövdesini, Derinlik Mastarının (8) üzerindeki derinlik takozu tarafından durdurulunca kadar gidebildiği kadar ileri itin
7. Makineyi çalışır durumda tutarak el aletinin gövdesini ilk konuma dönmeye ve matkap uçlarını iş parçasından çıkarmaya bırakın. Bunu yaparken el aletini her iki el ile sağlam şekilde tutun
8. Matkap uçlarını iş parçasından çıkıttıktan sonra Açma/Kapatma Tetik Düğmesini bırakın

**NOT:** Geri Dönüş Yayları (20), Ön Yüz ve Perdeye hala biraz basıncı uygulananarak gövdenin otomatik olarak bekleme konumuna geri gitmesini ve matkap uçlarını iş parçasından çıkarmasını sağlayacaktır. Operatör el aletini delinmiş deliklere göre tam olarak aynı pozisyonda tutmaya dikkat ederek matkap uçlarını dışarı çıkmasını dikkatle kontrol etmelidir

9. Matkap uçları iş parçasından çıkıttıktan ve dönmeyi kestikten sonra makineyi iş parçasının üzerinden kaldırın

**Not:** Kaviyalı birleştiricinin nasıl çalıştığını iyice öğrenmek için önce hurda ahsap parçalar kullanılarak alıştırma yapılması tavsiye edilir

## Yerleştirme

- Birleştirilen iş parçalarının yüzünde karşılıklı delikler açmak için makinenin bu yüzü dik olarak yerleştirilmesi gerekir (Şekil J)
- İş parçasının alt tarafından yukarıya doğru delik açmaya çalışmak yerine makine iş parçasına üstten yaslanacak şekilde çalışmanızı ve böylece makinenin ağırlığının işlem yönünde etki etmesini tavsiye ederiz
- Bir kenardan çok uzağa delikler açmanız gerektiği takdirde kaviyalı birleştiriciyi Perde ile Ön Yüz birbiri ile aynı hizada olacak şekilde düzenleyin. Kaviyalı birleştirici bu durumda bir yüzeyin üzerinde dik açı ile durabilir ve serbestçe yerleştirilebilir -hatta büyük iş parçalarında bile (Şekil K). Delik delmeden önce el aletinin yerinde sağlam durduğunu kontrol edin

## Bir kalıp veya şablon kullanma

Kaviyalı birleştiricide Kalıp Dişleri (11) ve Kalıp Dişi Çubuğu (14) bulunur ve bir kaviyalı kalbu veya şablonu (temin edilmez) kullanıldığı zaman bunlar deliklerin hizla delinmesini sağlar

- Böyle bir kaviyalı kalbu veya şablonu kullanılması sayesinde hızla ev hassas şekilde delikler açılabilir ve kabin yapma işi hızlanabilir. Ayrıca düzenli aralıklar ile yerleştirilmiş raf delikleri delmek için de idealdir

1. Dikkatle ölçme yaptıktan sonra kalbu veya şablonu iş parçasına menegene ile tam gereken pozisyonda sıkın
2. Kaviyalı birleştiriciyi kaviyalı kalbu veya şablonu ile birlikte ya Kalıp Dişlerini (11) veya Kalıp Dişi Çubuğunu (14) kullanacak şekilde hazırlayın

**Not:** Doğru delme derinliğini, perde açısını ve perde yüksekliğini ayarlamaya dikkat edin

3. Kaviyalı birleştiricinin Kalıp Dişlerini kaviyalı kalbının veya şablonunun diş uçlarına geçirerek gerekli delikleri açın ve sonra el aletini normal şekilde çalıştırın

**Not:** Birleştirici büyük bir iş parçasının üzerine Perde ile Ön Yüz birbiri ile aynı hizada olmak üzere serbest şekilde yerleştirilmek amacı ile hazırlanmış olarak çalışırken bir kaviyalı kalbu veya şablonu kullanmak idealdir

**Not:** Ticari olarak temin edilen kaviyalı kalıpları mevcut olmasına rağmen bir kaviyalı kalbu veya şablonu imal edilebilir

## Diğer bileşimler

**Not:** El aletinin çeşitliliği bu kılavuzda anlatılanların çok ötesine geçer ve burada anlatılan onur özellikleri ve kullanılması konusuna yalnız bir giriş niteliğindedir.

## Aksesuarlar

Triton satıcınızda çok çeşitli aksesuarlar bulunmaktadır. Yedek parçalar Triton satıcınızdan veya toolspareonline.com adresinden temin edilebilir.

## Bakım

**UYARI:** Temizlik veya bakım yapmadan önce el aletini DAİMA güç kaynağından ayırın.

- El aletinin elektrik kablosunda hasar veya aşınma olup olmadığını her kullanımdan önce muayene edin. Bu tavsiye bu el aleti ile kullanılan uzatma kabloları için de geçerlidir

- Elektrik kablosunun değiştirilmesi gerektiği takdirde bir güvenlik tehlikesi oluşmaması için bunun üretici veya onun temsilcisi tarafından yapılması önerilir.

## Genel muayene

- Tüm sabitleme vidalarının sıkılığı olduğuna düzenli şekilde kontrol edin. Titreşim yüzünden bunlar zamanla gevşeyebilir
- El aletinin elektrik kablosunda hasar veya aşınma olup olmadığını her kullanımdan önce muayene edin. Tamir işleri yetkili bir Triton servis merkezi tarafından yapılmalıdır. Bu tavsiye bu el aleti ile kullanılan uzatma kabloları için de geçerlidir

## Yağlama

- Uygun bir sprey yağlayıcı kullanarak hareketli parçaların hepsini düzenli aralıklarla yağlayın

## Temizleme

**UYARI:** Bu el aletini temizlerken DAİMA göz koruması ve eldiven dâhil olmak üzere koruyucu ekipman kullanın.

- El aletinizi daime temiz tutun. Kir ve toz parçaların hızla aşınmasına yön açar ve makinenin hizmet ömrünü kısaltır
- Makinenizin gövdesini yumuşak bir fırça veya kuru bez ile temizleyin
- Plastik kısımları temizlemek için asla kostik maddeler kullanmayın. Kuru olarak temizlemek yeterli olmadığı takdirde ıslak bir bezin üzerinde yumuşak bir deterjan kullanılması tavsiye edilir
- El aletine asla su temas etmemelidir
- El aletini kullanmadan önce tamamen kuru olmasına dikkat edin
- Var ise temiz ve kuru basınçlı hava kullanarak havalandırma deliklerini üfleğin (uygulanabilir olan yerde)

## Fırçalar

- Motoradaki karbon fırçalar zamanla aşınabilir
- Çok fazla aşınan fırçalar güç kaybına, aralıklı arızalara veya gözle görülür kiviçimlere neden olabilir
- Fırçaları değiştirmek için Esas Sap (5) muhafazasını sabitleyen dört vidayı sökün. Kabloları çekmemeye ve zarar vermeye dikkat ederek iki yan parçayı dikkatle sökün. Aşınmış fırçaları çıkarın ve yenilerini takın. Muhafazayı tekrar dikkatle takın ve vidaları takın ve sıkın. veya bunun yerine yetkili bir Triton servis merkezinde makineye servis yaptırın.



# Atılması

Artık çalışmayan ve tamir edilmesi bir işe yaramayacak olan el aletlerini atarken daima ulusal yönetmelikleri izleyin.

- Elektrikli el aletlerini, pilleri ve diğer elektrikli ve elektronik atık donanımı (WEEE) evsel atıklar ile birlikte atmayın
- Elektrikli el aletlerini atmanın doğru yolu hakkında bilgi almak için bölgenizdeki yerel atık bertaraf makamına danışın

## Garanti

Garantinizi tescil ettirmek için [www.tritontools.com](http://www.tritontools.com) adresindeki web sitemizi ziyaret ederek bilgilerinizi giriniz \*.

Size ait bilgiler ilerideki yayınlar hakkında bilgi vermek üzere posta listemize dâhil edilecektir (aksi belirtilmediği takdirde). Verilen bilgiler hiç bir üçüncü tarafa iletilmeyecektir.

## Satin alma kayıtları

Satin Alma Tarihi: \_\_\_ / \_\_\_ / \_\_\_

Model: TDJ600 Makbuzunuzu satın alma kanıtı olarak saklayınız

## AB Uygunluk Beyanı

**Aşağıda imzası bulunan:** Bay Darrell Morris

**Yetki veren:** Triton Tools

Beyan eder ki

**Tanımlama kodu:** 186171

**Açıklama:** Kavilyalı Birleştirici

**Aşağıdaki direktiflere ve standartlara uygundur:**

- Makine Direktifi 2006/42/EC
- Alçak Voltaj Direktifi 2006/95/EC
- EMC Direktifi 2014/108/EC
- RoHS Direktifi 2011/65/EU
- EN60745-2-19:2005+A1:2010
- EN60745-1:2009+A11:2010
- EN55014-1:2009+A2:2011
- EN55014-2:1997+A2:2008
- EN61000-3-2:2014
- EN61000-3-3:2013 • EN62321:2009

Triton Precision Power Tools, ilk satın alma tarihinden itibaren 3 YIL süre içinde hatalı malzemeler veya işçilik yüzünden herhangi bir parçanın kusurlu çıkması durumunda Triton'un hatalı parçayı ücretsiz olarak tamir edeceğini veya kendi takdirine göre değiştireceğini bu ürünü satın alan kişiye garanti eder.

Bu garanti ticari kullanım için geçerli olmadığı gibi normal aşınmayı ve yıpranmayı veya kaza, kötüye kullanma veya yanlış kullanma yüzünden oluşan hasarı içermez.

\* 30 gün içinde çevirim içi olarak tescil yaptırın.

Kurallar ve koşullar geçerlidir.

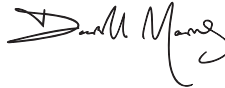
Bunlar sizin yasal haklarınızı etkilemez

**Onaylanmış kuruluş:** TÜV SÜD Product Service

**Teknik dokümanları muhafaza eden:** Triton Tools

**Tarih:** 05/05/15

**İmza:**



Bay Darrell Morris

Sorumlu Müdür

**Üreticinin adı ve adresi:**

Powerbox International Limited, Şirket No. 06897059. Tescilli adres:

Powerbox, Boundary Way, Lufton Trading Estate, Yeovil, Somerset BA22 8HZ, Birleşik Krallık.

